

PARTS CATALOG

SMS

POWER TRAIN & HARDWARE

DOT Mower Replacement Parts



SMS POWER TRAIN & HARDWARE, LLC

1900 W Boulevard St • Mexico, MO 65265 • 800-467-3370

SMS

POWER TRAIN & HARDWARE

DOT Mower Replacement Parts Catalog

Table of Contents

John Deere CX & HX 15'	3
Land Pride 5615 & 6615 Series II	21
Land Pride 6010 & 6015.....	45
Land Pride 6610 & 6615.....	65
Schulte FX315	89
Schulte Series 2	129
Schulte Series 3	181
Schulte Series 4	227

JOHN DEERE®

CX & HX Rotary Cutter Replacement Parts



SMS Power Train and Hardware
Call us today to get a quote at 800-467-3370
Or email us at Parts@smspowertrain.com

JOHN DEERE®

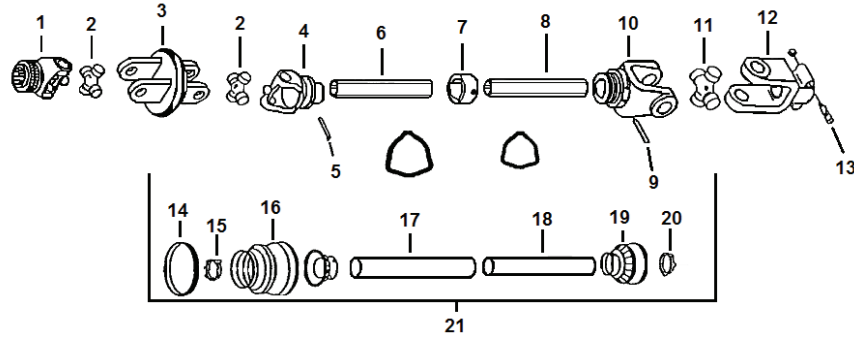
CX & HX

This Page

Intentionally Blank

SMS Power Train and Hardware
Call us today to get a quote at 800-467-3370
Or email us at Parts@smspowertrain.com

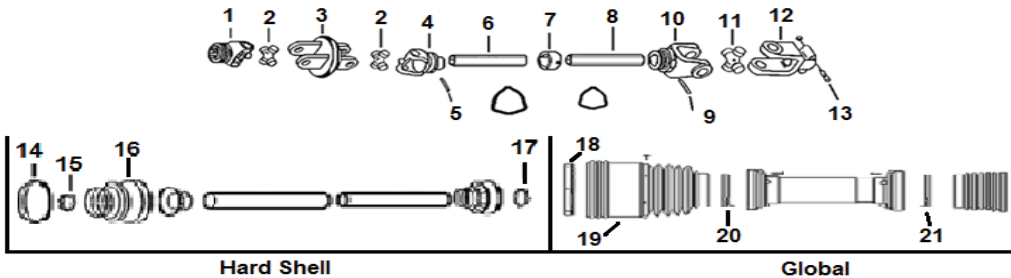
For JOHN DEERE CX & HX 15'
CV DRIVESHAFT
Replacement Parts for MO3950 CV Driveshaft (Bondioli)
540 RPM Triangle Tubes
(One Piece "Accordion" Style CV Bell)



<u>Key</u>	<u>Part #</u>	<u>Description</u>
	MO3950	COMPLETE DRIVESHAFT
1	5730L0384	Tractor CV QD Yoke 1 3/8 – 6 spline
2	4120L0051	Cross Kit CV (2)
3	5110L0063	CV body
4	2150L6873	Outer Tube Yoke CV
5	341054000	Roll Pin Outer Yoke 12 x 90m
6	224320710	Outer Tube
7	259006803	Grease Collar
8	245390720	Inner Tube RILSAN
9	341055000	Roll Pin Inner Yoke 12 x 75m
10	204086888	Inner Tube Yoke
11	4120M0011	Cross Kit
12	5090M3860	Impl. Yoke – taper pin
13	408000076	Taper pin
14	2550L0023	CV Shield Bearings
15	255080005	Outer Shield Bearings
16	517080200	CV Shield
17	236850640	Outer Shield Tube
18	2370084E4	Inner Shield Tube
19	517080120	Shield Cone
20	255080006	Inner Shield Bearing
21	MO5532	Complete CV Shield Kit

SMS Power Train and Hardware
 Call us today to get a quote at 800-467-3370
 Or email us at Parts@smspowertrain.com

For JOHN DEERE CX & HX 15'
CV DRIVESHAFT
Replacement Parts for MO3990 CV Driveshaft (Bondioli)
1000 RPM Triangle Tubes
(One Piece "Accordion" Style CV Bell)



<u>Key</u>	<u>Part #</u>	<u>Description</u>
	MO3990	COMPLETE CV DRIVESHAFT
1	5730G3784	Tractor CV QD Yoke 1 3/8 – 21 spline
2	4120G0051	Cross Kit CV (2)
3	5110G0061	CV body
4	2150G6885	Outer Tube Yoke CV
5	341042000	Roll Pin Outer Yoke
6	225270840	Outer Tube
7	259006803	Grease Collar
8	245160840	Inner Tube RILSAN
9	341043000	Roll Pin Inner Yoke
10	204066852	Inner Tube Yoke
11	4120H0011	Cross Kit
12	5090H3860	Impl. Yoke – taper pin
13	408000076	Taper pin
14	2550G0024	CV Shield Bearings
15	255060005	Outer Shield Bearings
16	2190G0150	CV Shield
17	255060006	Inner Shield Bearing
18	2550G0024	CV Shield Bearing (Global)
19	219051401	CV Shield (Global)
20	255071002	Outer Shield Bearing (Global)
21	255071001	Inner Shield Bearing (Global)
	MO5522	Complete CV Shield Kit
	MO5525	Complete CV Shield Kit (Global)

SMS Power Train and Hardware
 Call us today to get a quote at 800-467-3370
 Or email us at Parts@smspowertrain.com

**For JOHN DEERE CX & HX 15'
WING SHAFT w/CLUTCH
Replacement Wing Shaft with Clutch & Shield Kit**



<u>Part #</u>	<u>Description</u>
MO4990	Complete Wing Shaft with Clutch (Bondioli) 1 3/4" – 20 spline input yoke-1 3/4" – 20 spline clutch

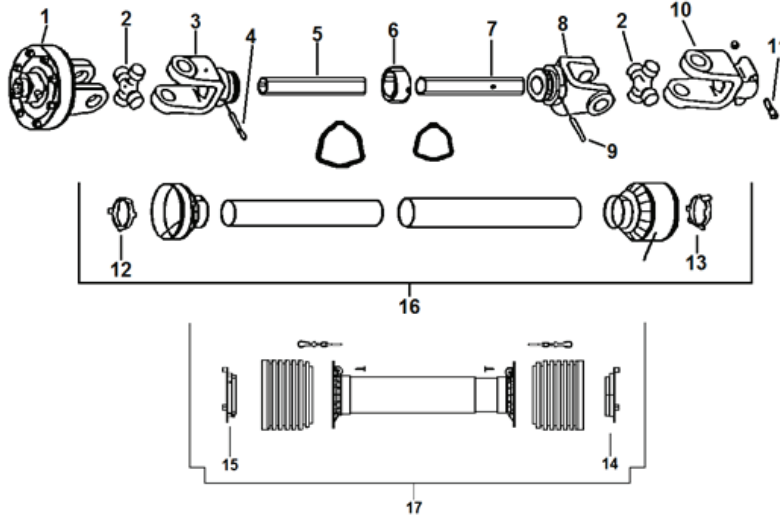
Replacement Shield Kit



<u>Part #</u>	<u>Description</u>
MO2426	Complete Shield Kit Comer
MO4530	Complete Shield Kit (Hard Shell Shield Cones) Bondioli
MO4535	Complete Shield Kit (Global) Flexible Shield Cones
MO6400	Complete Shield Kit (Factory Equipped) Walterscheid

SMS Power Train and Hardware
Call us today to get a quote at 800-467-3370
Or email us at Parts@smspowertrain.com

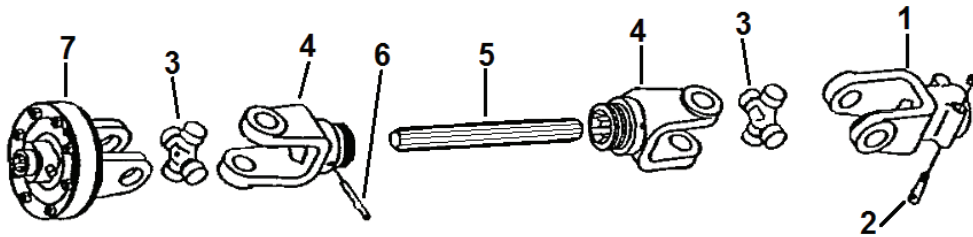
For JOHN DEERE CX & HX 15'
WING SHAFT
MO4990 (Bondioli) Replacement Wing Shaft & Parts



<u>Key</u>	<u>Part #</u>	<u>Description</u>
	MO4990	COMPLETE WING SHAFT
1	MO9958	Complete Clutch Belleville Spring 1 3/4 – 20 spline
2	4120H0011	Cross Kit (2)
3	204066852	Inner Tube Yoke
4	341043000	Roll Pin Inner Tube Yoke
5	270161075	Inner Tube Heat Treated
6	259006802	Grease Collar
7	224211016	Outer Tube
8	204066851	Outer Tube Yoke
9	341042000	Roll Pin Outer Tube Yoke
10	5090H3860	Impl. Yoke Taper Pin 1 3/4 – spline
11	408000076	Taper Pin
12	255060006	Inner Shield Bearing
13	255060005	Outer Shield Bearing
14	255071001	Inner Shield Bearing (Global) Flexible Shield Cones
15	255071002	Outer Shield Bearing (Global) Flexible Shield Cones
16	MO4530	Complete Wing Shield Kit (Hard Shell Shield Cones)
17	MO4535	Complete Wing Shield Kit (Global) Flexible Shield Cones

SMS Power Train and Hardware
 Call us today to get a quote at 800-467-3370
 Or email us at Parts@smspowertrain.com

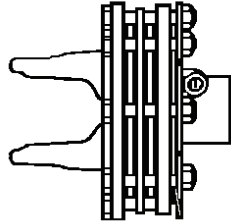
**For JOHN DEERE CX & HX 15'
INTERMEDIATE SHAFT
Replacement Intermediate Shaft & Parts**



<u>Key</u>	<u>Part #</u>	<u>Description</u>
	MO96155	COMPLETE INTERMEDIATE ASSEMBLY <u>540 RPM</u>
1	5090H3860	Yoke 1 3/4 – 20 spline
2	408000076	Tapered Bolt
3	4120H0011	Cross Kit (2)
4	204063361	Splined Yoke (2)
5	MO53218	Splined Shaft
6	345001000	Roll Pin
7	MO9980	FV42 Clutch 1 3/4 - 20 spline

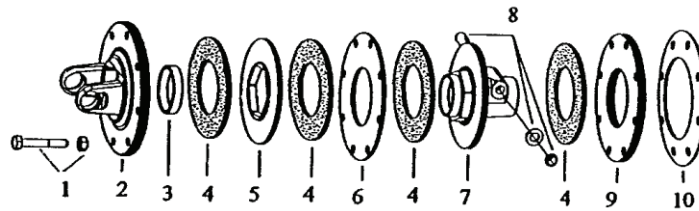
SMS Power Train and Hardware
Call us today to get a quote at 800-467-3370
Or email us at Parts@smspowertrain.com

For JOHN DEERE CX & HX 15'
FV34 Clutch
MO9958 (Bondioli) Replacement Clutch & Parts
(Belleville Spring)



<u>Part #</u>	<u>Description</u>
MO9958	FV34 Complete Clutch Size 6 1 3/4" 20 spline

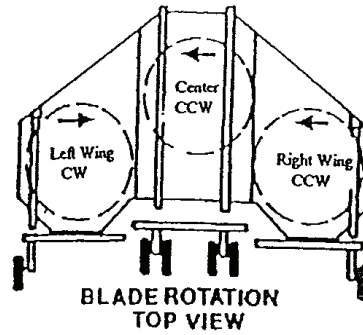
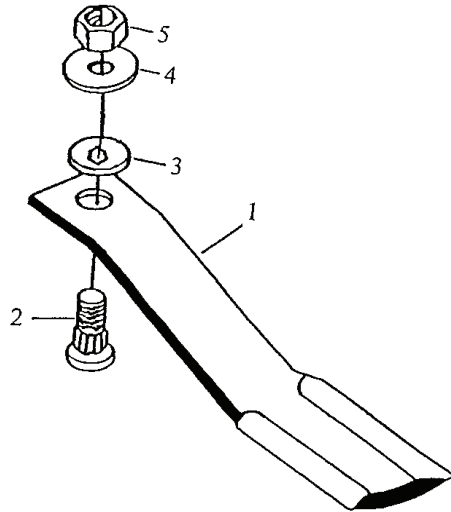
FV34 Clutch Parts



<u>Key</u>	<u>Part #</u>	<u>Description</u>	<u>Qty. Used</u>
1	432000114	Bolt w/lock nut	8
2	253068903	Flange yoke size 6	1
3	258005320	Bushing	1
4	247006251	Lining 3 x 5 9/16"	4
5	248727702	Drive Plate	1
6	248860001	Inner plate	1
7	515893805	Hub 1 3/4" 20 spline	1
8	408000076	Taper bolt	1
9	248860007	Pressure Plate	1
10	367009860	Belleville spring	1

SMS Power Train and Hardware
 Call us today to get a quote at 800-467-3370
 Or email us at Parts@smspowertrain.com

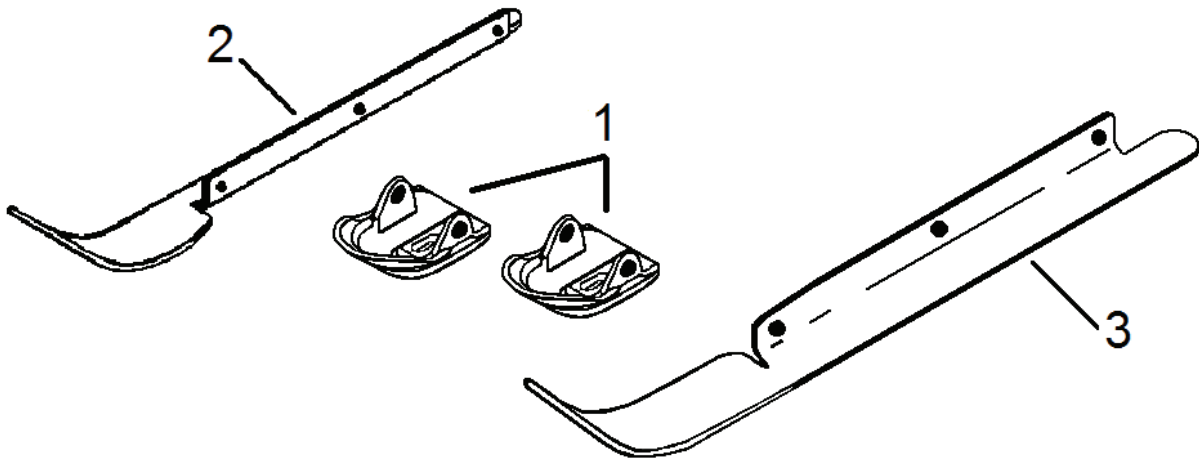
For JOHN DEERE CX & HX 15'
CX & HX BLADES
Replacement CX & HX Blades & Parts



<u>Key</u>	<u>Part #</u>	<u>Description</u>	<u>Qty. Used</u>
		(CX002229 below) (HX004259 below)	
1	MO49170	Blade CW Left Wing (MO45326)	2
	MO49171	Blade CCW Right Wing (MO45327)	4
	MO49171*	*Blade CCW Center 21 3/4" (MO45327)	2
		*use with AW30793 (large center blade pan)	
		(CX002230 above) (HX004260 above)	
	MO49170	Blade CW Left Wing	2
	MO49171	Blade CCW Right Wing	2
	MO50973**	**Blade CCW Center 27 1/4"	2
		**use with AW33172 (small center blade pan)	
2	MO38054	Bolt	6
3	MO38627	Hex Washer	6
4	MO9216	Washer	6
5	MO8201	Lock Nut	6

SMS Power Train and Hardware
 Call us today to get a quote at 800-467-3370
 Or email us at Parts@smspowertrain.com

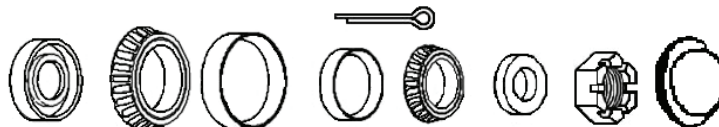
For JOHN DEERE CX & HX 15'
CX & HX SKID SHOES
Replacement CX & HX Skid Shoes



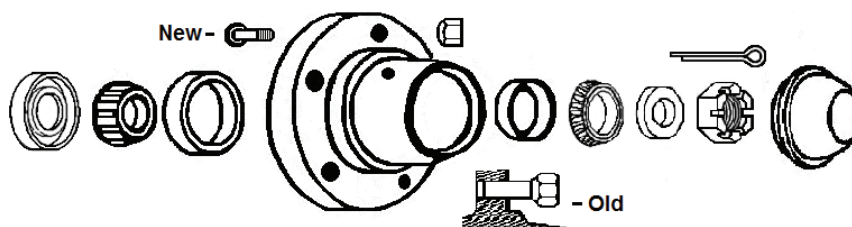
<u>Key</u>	<u>Part #</u>	<u>Description</u>	<u>Qty. Used</u>
1	W46955	Skid Shoe, Center Section	2
2	MOW45882	Skid Shoe, Right Wing	1
3	MOW45883	Skid Shoe, Left Wing	1

SMS Power Train and Hardware
 Call us today to get a quote at 800-467-3370
 Or email us at Parts@smspowertrain.com

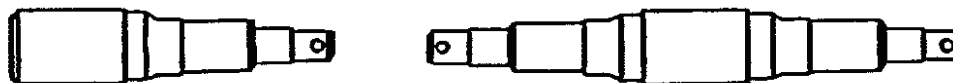
For JOHN DEERE CX 15'
WHEEL BEARING, HUB & SPINDLES
Replacement Wheel Bearing, Hub, Spindles & Parts



<u>Part #</u>	<u>Description</u>
MO5924	Wheel Bearing Kit Consists of:
	JD8194 outside bearing cone
	JD8225 inside bearing cup
	JD8187 inside bearing cone
	JD8230 outside bearing cup
	AW31664 seal
	W47709 hub cap
	14H875 nut
	24H1659 washer
	Cotter key 3/16 X 1 1/2"



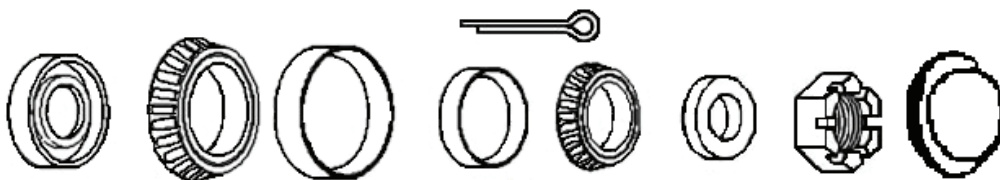
<u>Part #</u>	<u>Description</u>
MO34239	Wheel Hub Complete with Bearings (5 Hole)
MO207-043	Stud Bolt w/Nut (New)
MO207-028	Wheel Bolt (Old)



<u>Part #</u>	<u>Description</u>
MO52506	Spindle Dual (main frame)
MO52505	Spindle Single (wing)

SMS Power Train and Hardware
 Call us today to get a quote at 800-467-3370
 Or email us at Parts@smspowertrain.com

For JOHN DEERE HX 15'
WHEEL BEARINGS
Replacement Wheel Bearings & Parts



Part #

Description

MO5922

Wheel Bearing Kit

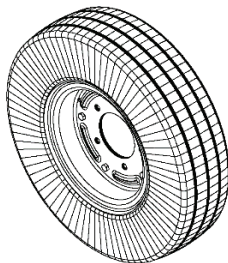
Consists of:

JD8187 inside bearing cone
 JD8225 inside bearing cup
 JD8188 outside bearing cone
 JD8226 outside bearing cup

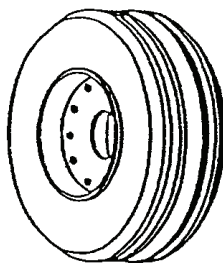
AW31664 seal
 W48561 hub cap
 14H1086 nut
 24H1392 washer
 Cotter key 3/16 X 1 1/2"

SMS Power Train and Hardware
 Call us today to get a quote at 800-467-3370
 Or email us at Parts@smspowertrain.com

**For JOHN DEERE CX 15'
WHEELS & TIRES
Replacement Wheels, Tires & Parts**



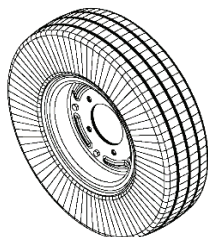
<u>Part #</u>	<u>Description</u>
MO510BH	Laminated Wheel 6" X 9" X 21" 5 bolt



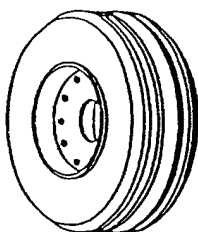
<u>Part #</u>	<u>Description</u>
MO48800	Aircraft Tire Only <u>Flat Tread (Recapped)</u> 27.75 x 8.75 x 14.5 (Replaces 26 x 9 x 14.5)
MO48800A	Aircraft Tire Only <u>Rib Tread (Recapped)</u> 27.75 x 8.75 x 14.5 (Replaces 26 x 9 x 14.5)
MO14053	Tube Only
MO48802	Aircraft tire w/Rim <u>Flat Tread (Recapped)</u> 27.75 x 8.75 x 14.5 (Replaces 26 x 9 x 14.5)
MO48802A	Aircraft Tire w/Rim <u>Rib Tread (Recapped)</u> 27.75 x 8.75 x 14.5 (Replaces 26 x 9 x 14.5)

SMS Power Train and Hardware
Call us today to get a quote at 800-467-3370
Or email us at Parts@smspowertrain.com

**For JOHN DEERE HX 15'
WHEELS & TIRES
Replacement Wheels, Tires & Parts**



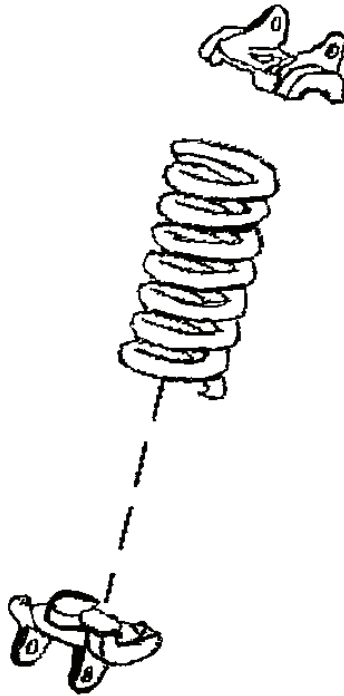
<u>Part #</u>	<u>Description</u>
MO510BH	Laminated Wheel 6" X 9" X 21" 5 bolt



MO14052	Aircraft Tire Only 25.5 x 8.0 x 14	<u>Flat Tread (Recapped)</u> (Replaces 24 x 8 x 14)
MO14052A	Aircraft Tire Only 25.5 x 8.0 x 14	<u>Rib Tread (Recapped)</u> (Replaces 24 x 8 x 14)
MO14053	Tube Only	
MO14054	Aircraft Tire w/Rim 25.5 x 8.0 x 14	<u>Flat Tread (Recapped) 5 Hole Rim</u> (Replaces 24 x 8 x 14)
MO14054A	Aircraft Tire w/Rim 25.5 x 8.0 x 14	<u>Rib Tread (Recapped) 5 Hole Rim</u> (Replaces 24 x 8 x 14)
MO14055A	Aircraft Tire w/Rim 25.5 x 8.0 x 14	<u>Rib Tread (Recapped) 4 Hole Rim</u> (Replaces 24 x 8 x 14)

SMS Power Train and Hardware
Call us today to get a quote at 800-467-3370
Or email us at Parts@smspowertrain.com

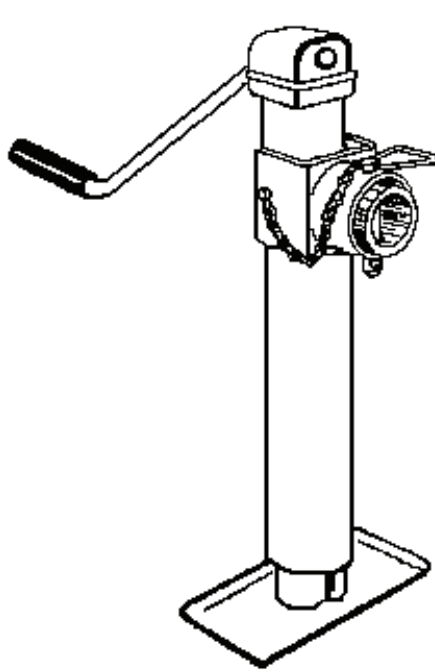
**For JOHN DEERE CX 15'
AXLE SPRING
Axle Spring Suspension to Replace Air Bag**



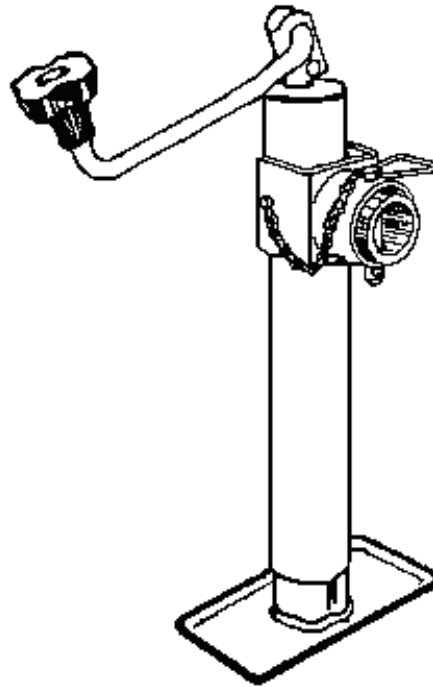
<u>Part #</u>	<u>Description</u>
MO10010	Spring Kit (Replacement for CX10')
MO10015	Spring Kit (Replacement for CX 15')

SMS Power Train and Hardware
Call us today to get a quote at 800-467-3370
Or email us at Parts@smspowertrain.com

**For JOHN DEERE CX & HX 15'
JACKS
Replacement Heavy Duty Jacks**



Sidewind



Topwind

Part #

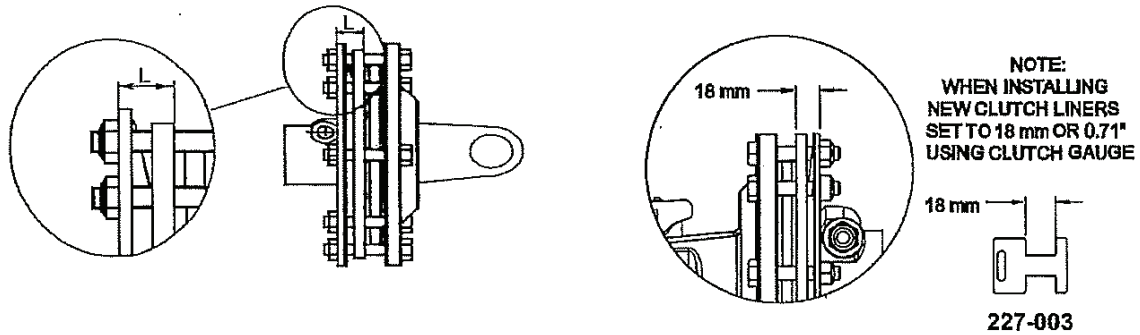
**MO300HD
MO5000HDS**

Description

Heavy Duty Jack (Top Crank)
Heavy Duty Jack (Side Crank)

SMS Power Train and Hardware
Call us today to get a quote at 800-467-3370
Or email us at Parts@smspowertrain.com

Clutch Settings



Bondioli Clutch Settings

FV42 Clutch (Wing Shafts) 1200 nm

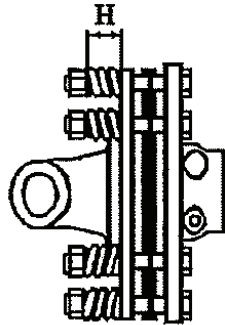
*The spring height L needs measured near each bolt
(18.5 mm or .71" with a tolerance + or - .4 mm)*

FV32 Clutch (Intermediate Shaft 1000 RPM) 900 nm

*The spring height L needs measured near each bolt
(18.0 mm or .71" with a tolerance + or - .4 mm)*

FT42 Clutch (Wing Shafts) 1200 nm

The band needs to touch then back off 1 mm to let moisture out.



Bondioli	FF2 Clutch (coil spring clutch) H = 27.5 mm or 1 3/32"	2 disks
Bondioli	FF3 Clutch (coil spring clutch) H = 28.5 mm or 1 1/8"	4 disks
Comer	F2 Clutch (coil spring clutch) H = 33.3 mm 1 11/32"	2 disks
Comer	F4 Clutch (coil spring clutch) H = 34.1 mm 1 5/16"	4 disks

SMS Power Train and Hardware
Call us today to get a quote at 800-467-3370
Or email us at Parts@smspowertrain.com

Clutch Lining Sizes

Lining Size Inside	Outside	Moore #	
3 13/16" 97 mm	6 5/16" 160 mm	247000061	Bondioli
3 13/16" 97 mm	6 5/16" 160 mm	MO31971	Eurocardan
3 3/8" 85 mm	6 3/8" 162 mm	247006351	Bondioli
3 3/8" 85 mm	5 1/2" 140 mm	247000054	Bondioli
3 5/8" 91 mm	5 15/16" 152 mm	MO1711	Comer/Walterscheid
3" 77 mm	5 9/16" 142 mm	247006251	Bondioli
3 7/8" 100 mm	7" 178 mm	MO581060003	Walterscheid
4" 102 mm	6 1/4" 158 mm	19459	Woods

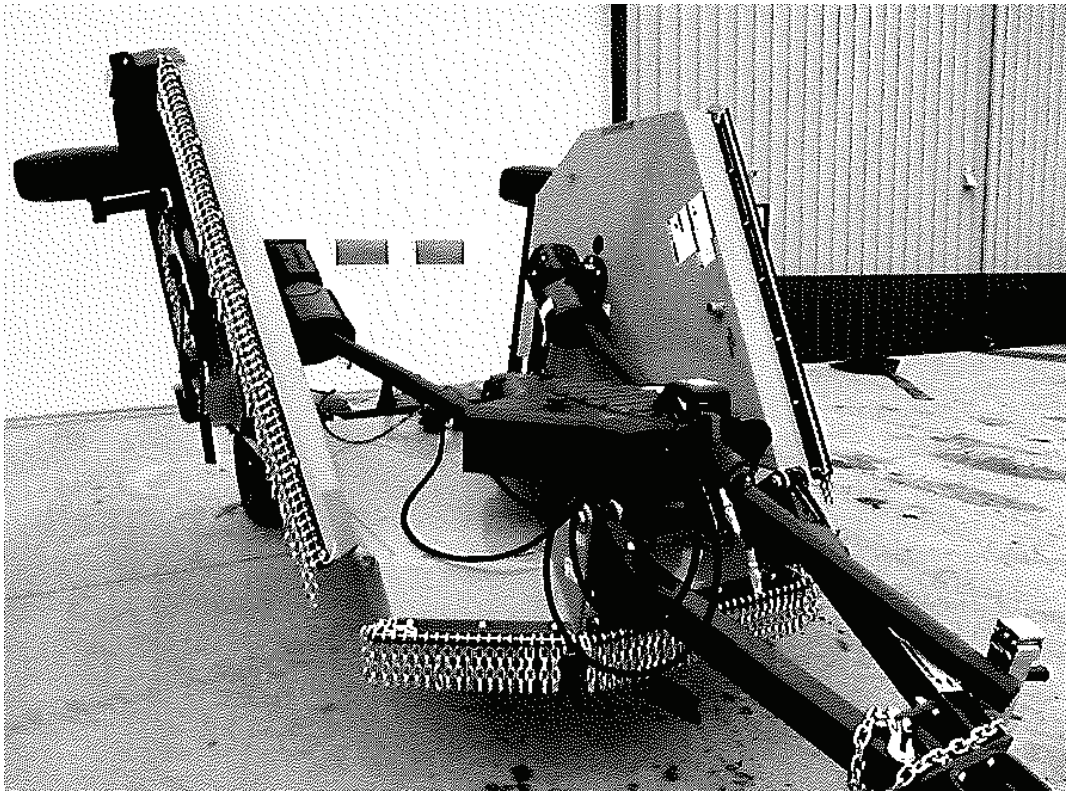
Manufactures Cross Reference

Manufacture	Part #	Moore #	
Alamo	00754202	MO1711	<i>Comer</i>
Alamo	8366	MO1711	<i>Walterscheid</i>
Schulte	341-631	247000061	<i>Bondioli</i>
Schulte	341-6247	247006351	<i>Bondioli</i>
Schulte	341-6228	247006251	<i>Bondioli</i>
Schulte	341-722	247000054	<i>Bondioli</i>
Schulte	341-3501	247000061	<i>Bondioli</i>
Schulte	341-6513	MO1711	<i>Eurogiunti</i>
Schulte	341-6547	247006251	<i>Eurogiunti</i>
Bush Whacker	1711	MO1711	<i>Comer</i>
Bush Whacker	3963	247006251	<i>Bondioli</i>
Bush Hog	91560	247000061	<i>Bondioli</i>
Bush Hog	91561	247000054	<i>Bondioli</i>
Bush Hog	76083	MO1711	<i>Comer</i>
Land Pride	1808010	MO31971	<i>Eurogiunti</i>
Land Pride	168556	MO1711	<i>Walterscheid</i>
Rhino	00754202	MO1711	<i>Comer</i>
Rhino	0581060003	MO581060003	<i>Walterscheid</i>
John Deere	W44285	247006251	<i>Bondioli</i>
John Deere	W34913	MO1711	<i>Walterscheid</i>
Woods	19459	19459	

SMS Power Train and Hardware
 Call us today to get a quote at 800-467-3370
 Or email us at Parts@smspowertrain.com

LAND PRIDE®

5615 & 6615 Series II Rotary Cutter Replacement Parts



SMS Power Train and Hardware
Call us today to get a quote at 800-467-3370
Or email us at Parts@smspowertrain.com

LAND PRIDE

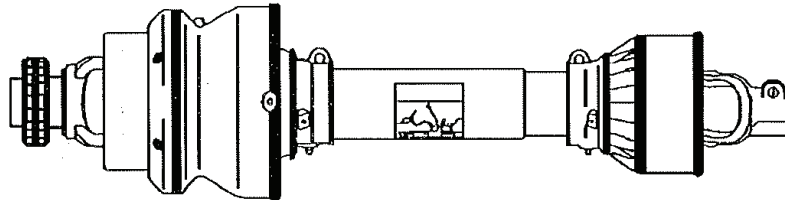
5615 & 6615 Series II

This Page

Intentionally Blank

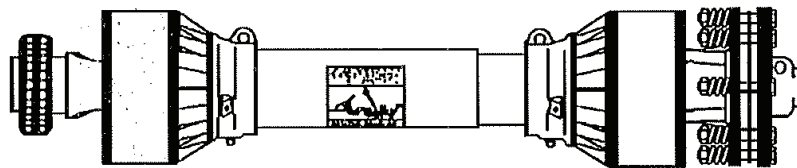
For LAND PRIDE® 5615 & 6615 Series II CV DRIVESHAFT & WING SHAFT w/ CLUTCH

TRACTOR TO MOWER CV REPLACEMENT DRIVESHAFT 540 RPM/1000 RPM



<u>Part #</u>	<u>Description</u>
MO3950	Complete Main Driveshaft- <u>CV</u> (Bondioli) <u>540 RPM</u> 1 3/8"-6 Spline Tractor- 1 3/4"-20 Spline Splitter Box
MO3990	Complete Main Driveshaft- <u>CV</u> (Bondioli) <u>1000 RPM</u> 1 3/8"-21 Spline Tractor-1 3/4"-20 Spline Splitter Box

Wing Shaft

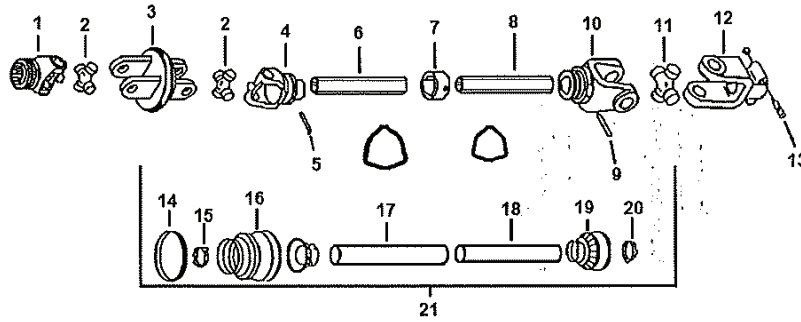


<u>Part #</u>	<u>Description</u>
MO4990	Complete Wing Shaft w/ Clutch 1 3/4 - 20 Spline

SMS Power Train and Hardware
Call us today to get a quote at 800-467-3370
Or email us at Parts@smspowertrain.com

For LAND PRIDE® 5615 & 6615 Series II CV DRIVESHAFT

Replacement Parts for MO3950 CV Driveshaft (Bondioli) 540 RPM Triangle Tubes

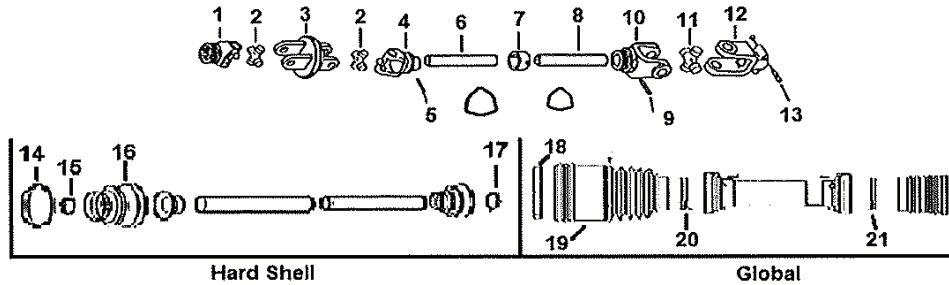


<u>Key</u>	<u>Part #</u>	<u>Description</u>
	MO3950	COMPLETE DRIVESHAFT
1	5730L0384	Tractor CV QD Yoke 1 3/8 – 6 Spline
2	4120L0051	Cross Kit CV (2)
3	5110L0063	CV Body
4	2150L6873	Outer Tube Yoke CV
5	341054000	Roll Pin Outer Yoke 12 x 90m
6	224320710	Outer Tube
7	259006803	Grease Collar
8	245390720	Inner Tube RILSAN
9	341055000	Roll Pin Inner Yoke 12 x 75m
10	204086888	Inner Tube Yoke
11	4120M0011	Cross Kit
12	5090M3860	Impl. Yoke – Taper Pin
13	408000076	Taper Pin
14	2550L0023	CV Shield Bearings
15	255080005	Outer Shield Bearings
16	517080200	CV Shield
17	236850640	Outer Shield Tube
18	2370084E4	Inner Shield Tube
19	517080120	Shield Cone
20	255080006	Inner Shield Bearing
21	MO5532	Complete CV Shield Kit

SMS Power Train and Hardware
Call us today to get a quote at 800-467-3370
Or email us at Parts@smspowertrain.com

For LAND PRIDE® 5615 & 6615 Series II CV DRIVESHAFT

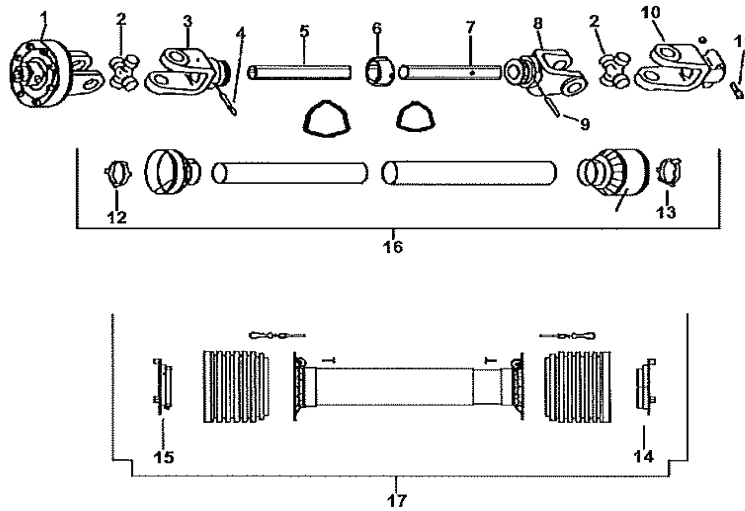
Replacement Parts for MO3990 CV Driveshaft (Bondioli) 1000 RPM Triangle Tubes



<u>Key</u>	<u>Part #</u>	<u>Description</u>
	MO3990	COMPLETE DRIVESHAFT
1	5730G3784	Tractor CV QD Yoke 1 3/8 – 21 Spline
2	4120G0051	Cross Kit CV (2)
3	5110G0061	CV Body
4	2150G6885	Outer Tube Yoke CV
5	341042000	Roll Pin Outer Yoke
6	225270840	Outer Tube
7	259006803	Grease Collar
8	245160840	Inner Tube RILSAN
9	341043000	Roll Pin Inner Yoke
10	204066852	Inner Tube Yoke
11	4120H0011	Cross Kit
12	5090H3860	Impl. Yoke – Taper Pin
13	408000076	Taper Pin
14	2550G0024	CV Shield Bearings
15	255060005	Outer Shield Bearings
16	2190G0150	CV Shield
17	255060006	Inner Shield Bearing
18	2550G0024	CV Shield Bearing (Global)
19	219051401	CV Shield (Global)
20	255071002	Outer Shield Bearing (Global)
21	255071001	Inner Shield Bearing (Global)
	MO5522	Complete CV Shield Kit (Hard Shell Shield Cones)
	MO5525	Complete CV Shield Kit (Global) Flexible Shield Cones

For LAND PRIDE® 5615 & 6615 Series II WING SHAFT

4900 (Bondioli) Replacement Wing

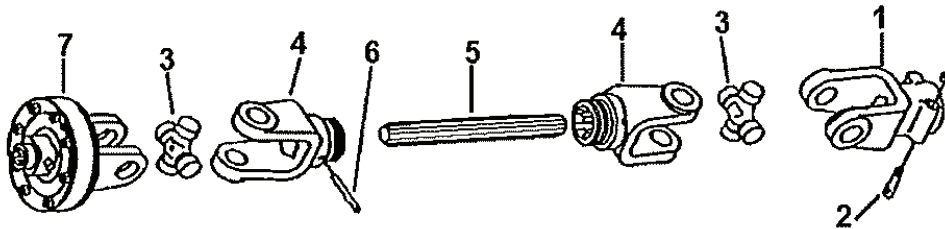


<u>Key</u>	<u>Part #</u>	<u>Description</u>
	MO4990	COMPLETE WING SHAFT
1	MO9958	Complete Clutch Belleville Spring 1 ¾ - 20 Spline
2	4120H0011	Cross Kit (2)
3	204066852	Inner Tube Yoke
4	341043000	Roll Pin Inner Tube Yoke
5	270161075	Inner Tube Heat Treated
6	259006802	Grease Collar
7	224211016	Outer Tube
8	204066851	Outer Tube Yoke
9	341042000	Roll Pin Outer Tube Yoke
10	5090H3860	Impl. Yoke Taper Pin 1 ¾ - 20 Spline
11	408000076	Taper Pin
12	255060006	Inner Shield Bearing
13	255060005	Outer Shield Bearing
14	255071001	Inner Shield Bearing (Global) Flexible Shield Cones
15	255071002	Outer Shield Bearing (Global) Flexible Shield Cones
16	MO4530	Complete Wing Shield Kit (Hard Shell Shield Cones)
17	MO4535	Complete Wing Shield Kit (Global) Flexible Shield Cone

SMS Power Train and Hardware
Call us today to get a quote at 800-467-3370
Or email us at Parts@smspowertrain.com

**For LAND PRIDE® 5615 & 6615 Series II
INTERMEDIATE DRIVESHAFT**

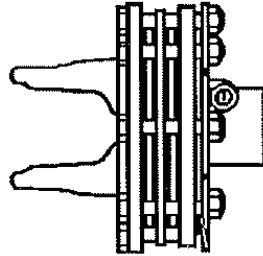
MO340-6155 Replacement Intermediate Shaft & Parts



<u>Key</u>	<u>Part #</u>	<u>Description</u>
	MO34-6155	COMPLETE INTERMEDIATE ASSEMBLY <u>540 RPM</u>
1	5090H3860	Yoke 1 ¾ - 20 Spline
2	408000076	Tapered Bolt
3	4120H0011	Cross Kit (2)
4	204063361	Splined Yoke (2)
5	MO341-6071	Splined Shaft
6	3450010000	Roll Pin
7	MO9980	FV42 Clutch 1 ¾ - 20 Spline

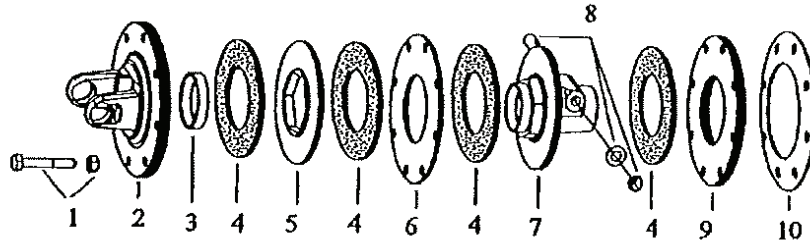
SMS Power Train and Hardware
Call us today to get a quote at 800-467-3370
Or email us at Parts@smspowertrain.com

**For LAND PRIDE® 5615 & 6615 Series II
FV34 CLUTCH
MO9958 (Bondioli) Replacement Clutch for MO4990 Wing Shaft
(Belleville Spring)**



<u>Part #</u>	<u>Description</u>
MO9958	FV34 Complete Clutch size 6 1/4 - 20 Spline

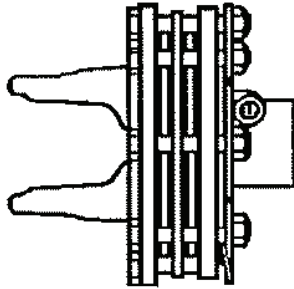
FV34 Clutch Parts for MO9958 Clutch



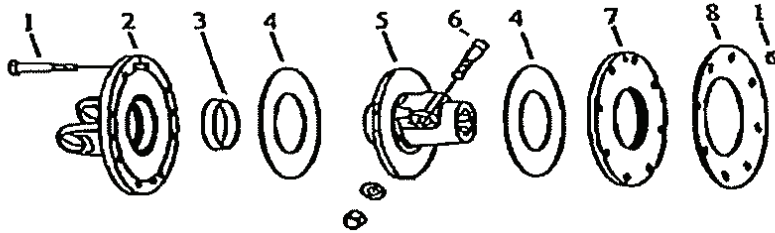
<u>Key</u>	<u>Part #</u>	<u>Description</u>	<u>Qty. Used</u>
1	432000114	Bolt w/ lock nut	8
2	253068903	Flange yoke Size 6	1
3	258005320	Bushing	1
4	247006251	Lining 3 x 5 9/16"	4
5	248727702	Drive Plate	1
6	248860001	Inner Plate	1
7	515893805	Hub 1 3/4" – 20 Spline	1
8	408000076	Taper Bolt	1
9	248860007	Pressure Plate	1
10	367008860	Belleville Spring	1

SMS Power Train and Hardware
Call us today to get a quote at 800-467-3370
Or email us at Parts@smspowertrain.com

**For LAND PRIDE® 5615 & 6615 Series II
FV42 CLUTCH
MO9980 Replacement Clutch for MO340-6155 Intermediate Shaft
(Belleville Spring)**



<u>Part #</u>	<u>Description</u>
MO9980	FV42 Complete Clutch Size 6 1 3/4" – 24 Spline

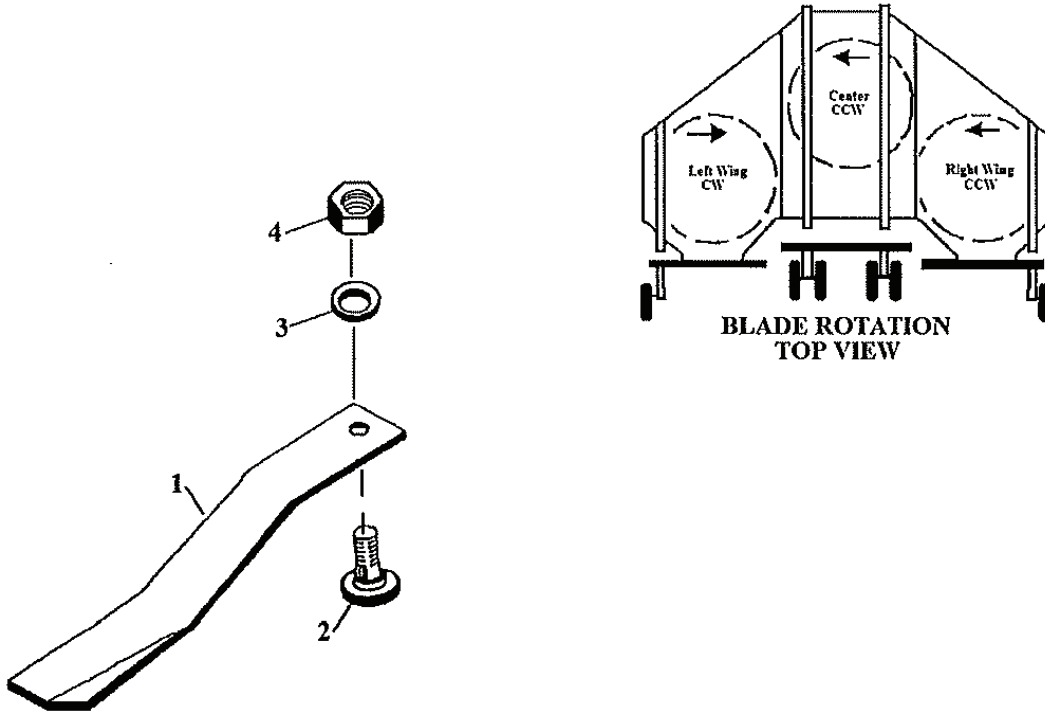


<u>Key</u>	<u>Part #</u>	<u>Description</u>	<u>Qty. Used</u>
1	432000054	Bolt w/ lock nut	8
2	253069001	Flange yoke Size 6	1
3	258005320	Bushing	1
4	247006351	Lining 3 3/8 x 6 3/8"	2
5	515873805	Hub 1 3/4" – 24 Spline	1
6	408000075	Taper bolt 1 3/8"	1
7	248870005	Inner Plate	1
8	367FT420D	Belleville Spring 4.5mm	1

SMS Power Train and Hardware
Call us today to get a quote at 800-467-3370
Or email us at Parts@smspowertrain.com

For LAND PRIDE® 5615 & 6615 Series II BLADES

Replacement Blades & Parts

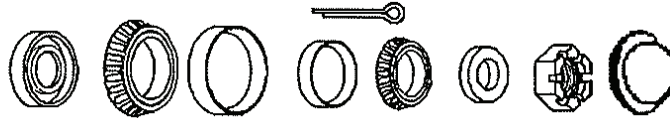


<u>Key</u>	<u>Part #</u>	<u>Description</u>	<u>Qty. Used</u>
1	MO820-168C	Blade CCW Center	2
	MO820-169C	Blade CCW Right Wing	2
	MO820-170C	Blade CW Left Wing	2
2	MO802-277C	Bolt (Keyed)	6
3	MO401-147C	Washer	6
4	MO120112	Lock Nut	6

SMS Power Train and Hardware
Call us today to get a quote at 800-467-3370
Or email us at Parts@smspowertrain.com

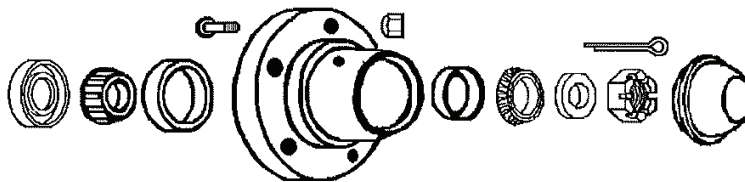
For LAND PRIDE® 5615 & 6615 Series II WHEEL HUBS & WHEEL BEARINGS

Wheel Bearings



<u>Part #</u>	<u>Description</u>
MO6925	Wheel Bearing Kit
	Consists of:
MO822-033C	Bearing Cup
MO822-034C	Bearing Cone
MO822-020C	Bearing Cup
MO822-021C	Bearing Cone
MO816-497C	Seal
MO803-053C	Nut 3/4"
MO803-029C	Nut 7/8"
MO804-216C	Washer 3/4"
MO804-055C	Washer 7/8"
MO200-001D	Hub Cap
	Cotter Key

Wheel Hubs

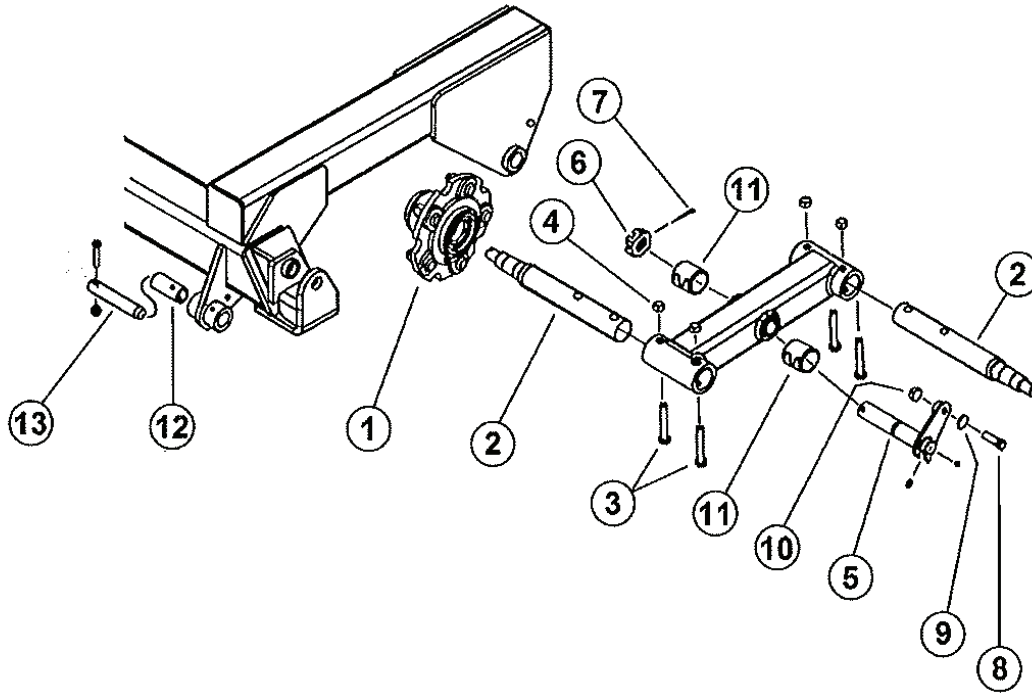


<u>Part #</u>	<u>Description</u>
MO330-938K	Wheel Hub Complete with Bearings(5 Hole) 7/8" Nut Spindle
MO207-043	Stud Bolt w/ Nut

SMS Power Train and Hardware
Call us today to get a quote at 800-467-3370
Or email us at Parts@smspowertrain.com

**For LAND PRIDE® 5615 & 6615 Series II
TANDEM AXLE ARM**

Tandem Axle Arm

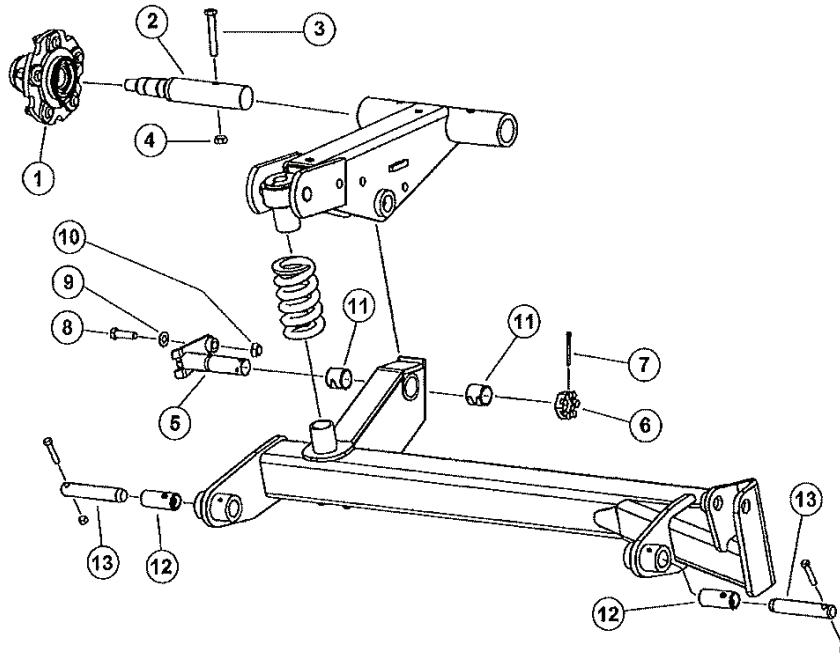


<u>Key</u>	<u>Part #</u>	<u>Description</u>	<u>Qty. Used</u>
1	MO330-938K	Hub 5 Bolt	2
2	MO815-433C	Spindle, Single Axle	2
3	MO50325G8	Bolt	2
4	MO50CZ	Lock Nut	4
5	MO334-465H	Pivot Pin wing	2
6	MO803-381C	Nut, Jam Slotted	2
7	MO190250	Cotter Key	2
8	MO50175	Bolt	4
9	MO5100	Flat Washer	4
10	MO50WHCZ	Flanged Lock Nut	4
11	MO891-177C	Bushings	4
12	MO890-970C	Bushings	3
13	802-099C	Pin	3

SMS Power Train and Hardware
Call us today to get a quote at 800-467-3370
Or email us at Parts@smspowertrain.com

For LAND PRIDE® 5615 & 6615 Series II SINGLE WING AXLE ARM

Wing Axle Arm

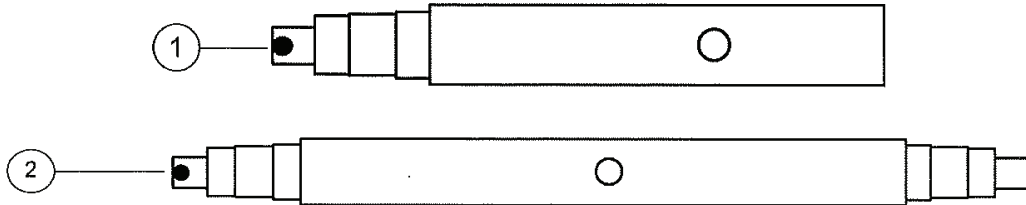


<u>Key</u>	<u>Part #</u>	<u>Description</u>	<u>Qty. Used</u>
1	MO330-938K	Hub 5 Bolt	2
2	MO815-491C	Spindle, Wing Single Axle	2
3	MO50325G8	Bolt	2
4	MO50CZ	Lock Nut	2
5	MO334-464H	Pivot Pin Wing	2
6	MO803-381C	Nut, Jam Slotted	2
7	MO190250	Cotter Key	2
8	MO50175	Bolt	2
9	MO5100	Flat Washer	2
10	MO50WHCZ	Flanged Lock Nut	2
11	MO891-117C	Bushings	4
12	MO890-970C	Bushing	2
13	802-099C	Pin	2

SMS Power Train and Hardware
 Call us today to get a quote at 800-467-3370
 Or email us at Parts@smspowertrain.com

**For LAND PRIDE® 5615 & 6615 Series II
WHEEL SPINDLES & LEVELING ROD TURNBUCKLE**

Main Frame Spindles



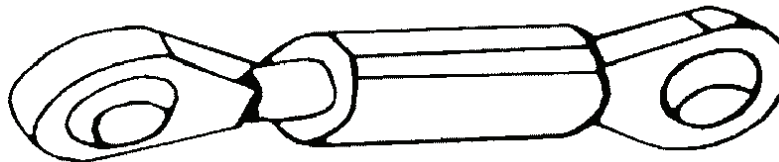
<u>Key</u>	<u>Part #</u>	<u>Description</u>	<u>Qty. Used</u>
1	MO815-433C	Main Frame Tandem Spindles	4
2	815-425C	Main Frame Dual Spindle	2

Wing Spindles



<u>Key</u>	<u>Part #</u>	<u>Description</u>	<u>Qty. Used</u>
1	MO815-491C	Wing Spindles	2

Turnbuckle

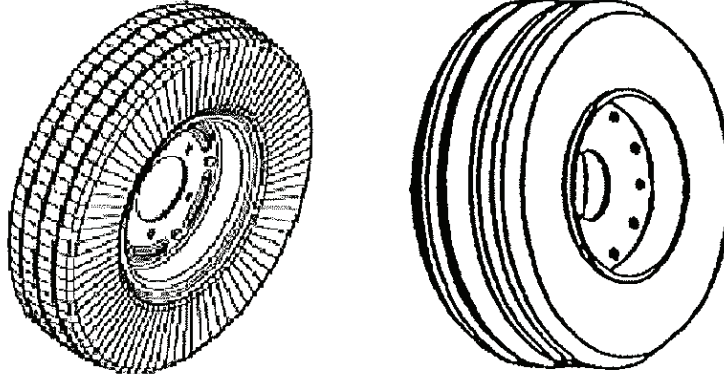


<u>Part #</u>	<u>Description</u>	<u>Qty. Used</u>
MO50052742	Turnbuckle w/ Swivel	2

SMS Power Train and Hardware
Call us today to get a quote at 800-467-3370
Or email us at Parts@smspowertrain.com

For LAND PRIDE® 5615 & 6615 Series II TIRES & WHEELS

Replacement Tires & Parts

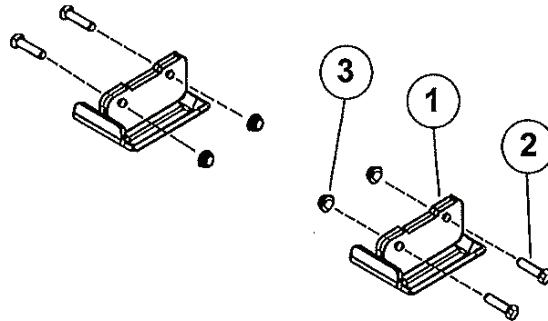


<u>Part#</u>	<u>Description</u>	
MO510BH	Laminated Wheel	5 Hole Rim
MO814-203C	Aircraft Tire Only (Recapped) 27 x 7075 x 15	
MO814-201D	Aircraft Tire w/Rim (Mounted) 27 x 7075 x 15	5 Hole Rim
MO814-204C	Tube Only (Bent Metal Stem)	
MO814-263C	Tube Only (Bent Metal Stem)	
MO210-163	Tube Only(Side Valve Stem) 24 x 7.7 x 10	
MO14052A	Aircraft Tire Only (Recapped) 25.5 x 8 x 14	
MO14054A	Aircraft Tire w/Rim (Mounted) 25.5 x 8 x 14	5 Hole Rim
MO14053	Tube Only (Bent Metal Stem) 25.5 x 8 x 14	
MO2490	Aircraft Tire Only (Recapped) 29 x 9.0x 15	
MO2491	Aircraft Tire w/Rim (Mounted) 29 x 9.0x 15	5 Hole Rim
MO48801	Tube Only (Bent Metal Stem) 29 x 9.0x 15	

SMS Power Train and Hardware
Call us today to get a quote at 800-467-3370
Or email us at Parts@smspowertrain.com

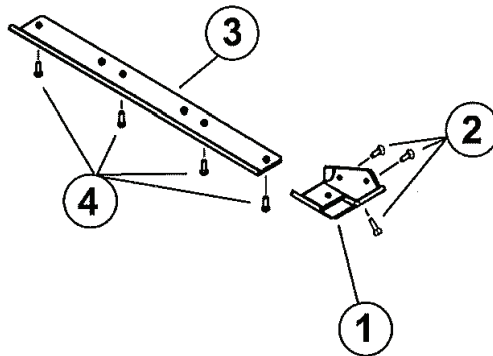
For LAND PRIDE® 5615 & 6615 Series II CENTER & WING SKID SHOES

Center Skid Shoes



<u>Key</u>	<u>Part #</u>	<u>Description</u>	<u>Qty Used</u>
1	MO330-185H	Front Skid Shoes	2
2	MO63250	Bolts	4
3	MO63CZ	Lock Nuts	4

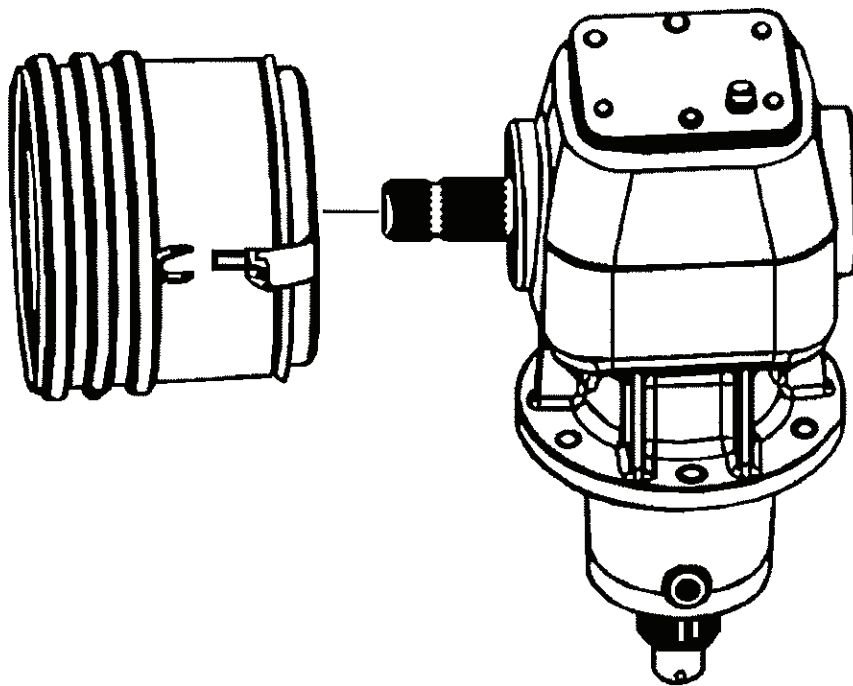
Wing Skid Shoes



<u>Key</u>	<u>Part#</u>	<u>Description</u>	<u>Qty. Used</u>
1	MO331-120H	Front Wing Skid Shoe	2
2	MO38125	Bolts	4
	MO38CZ	Lock Nuts	4
3	MO318-633D	Wing Skid Shoe	2
4	MO31825PL	Plow Bolts	12
	MO38CZ	Lock Nuts	12

SMS Power Train and Hardware
Call us today to get a quote at 800-467-3370
Or email us at Parts@smspowertrain.com

**For LAND PRIDE® 5615 & 6615 Series II
SHIELD CONE
Replacement Shield Cone & Parts**

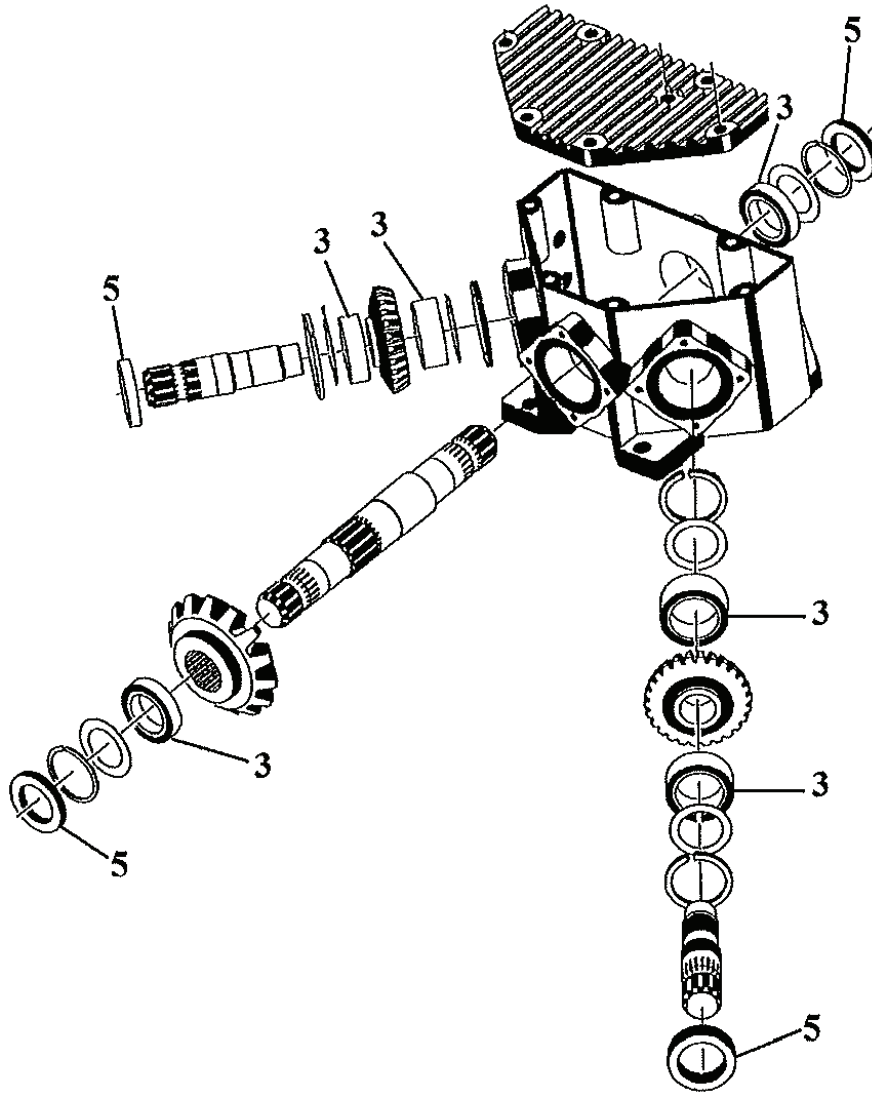


<u>Land Pride #</u>	<u>Moore #</u>	<u>Description</u>
837-066C	3950002540CE	Shield Cone

SMS Power Train and Hardware
Call us today to get a quote at 800-467-3370
Or email us at Parts@smspowertrain.com

For LAND PRIDE® 5615 & 6615 Series II DIVIDER GEAR BOX

Replacement Seals & Tapered Bearings Comer

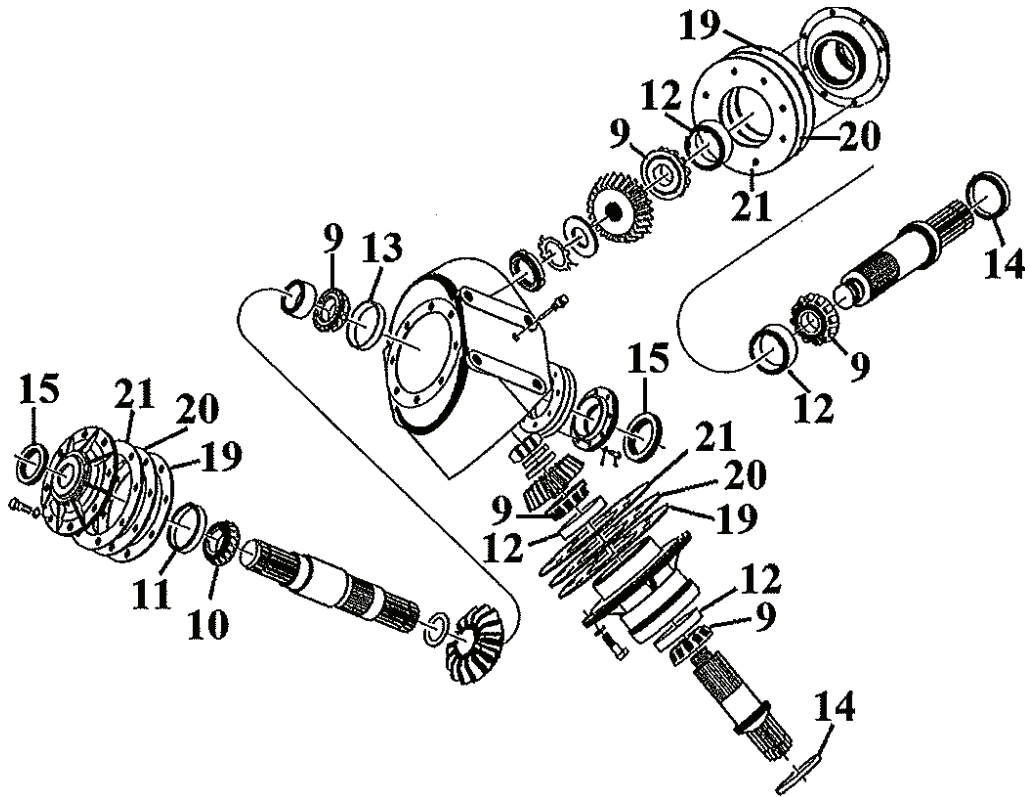


<u>Key</u>	<u>Land Pride #</u>	<u>Moore #</u>	<u>Description</u>	<u>Qty. Used</u>
3	8.0.9.00143	MO331-564	Tapered Bearing	6
5	8.7.3.00331	MO70190	Seal	4

SMS Power Train and Hardware
Call us today to get a quote at 800-467-3370
Or email us at Parts@smspowertrain.com

For LAND PRIDE® 5615 & 6615 Series II DIVIDER GEAR BOX

Replacement Bearings, Seals, & Shims Omni

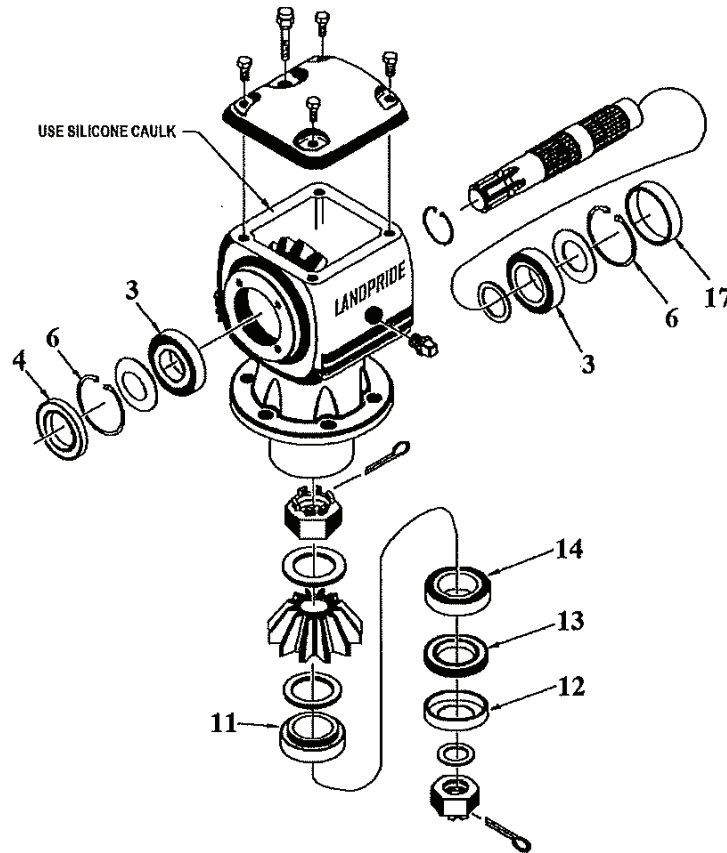


<u>Key</u>	<u>Land Pride #</u>	<u>Moore #</u>	<u>Description</u>
9	050008	MO2711	Bearing Cone
10	050012	MO2715	Bearing Cone
11	050013	MO2716	Bearing Cup
12	050014	MO2712	Bearing Cup
13	050015	MO2729	Bearing Cup
14	060020	MO2746	Seal
15	060051	MO2713	Seal
19	070140	MO2721	Shim 0.30 mm
20	070141	MO2722	Shim 0.15 mm
21	070142	MO2745	Shim 0.10 mm

SMS Power Train and Hardware
Call us today to get a quote at 800-467-3370
Or email us at Parts@smspowertrain.com

For LAND PRIDE® 5615 & 6615 Series II WING GEAR BOX

Replacement Wing Gear Box Parts

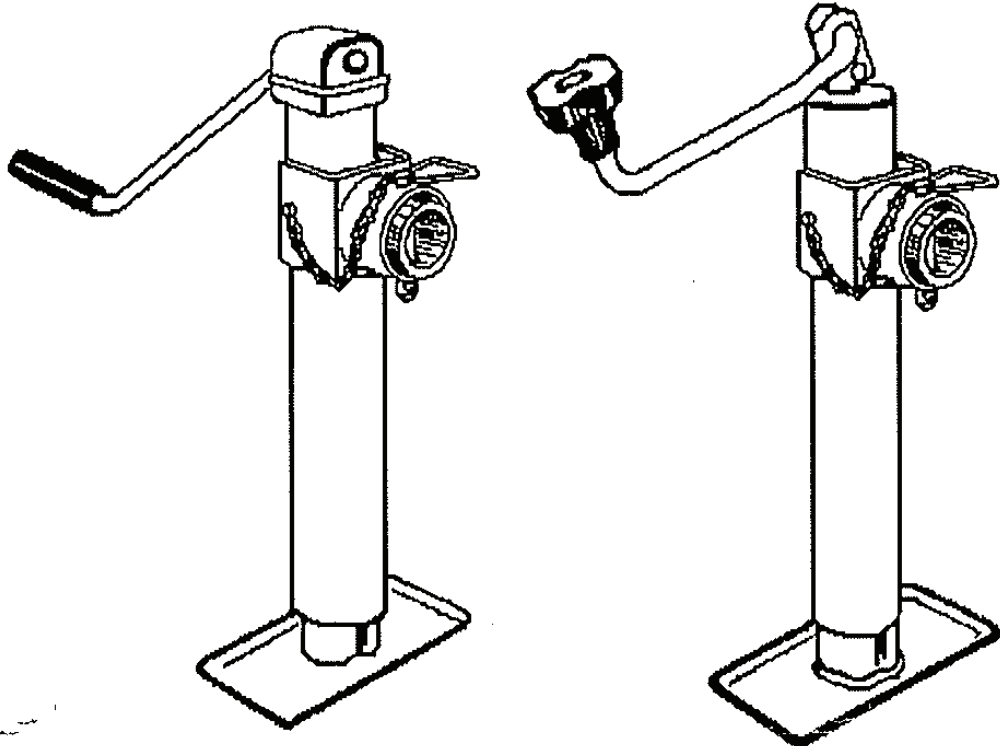


<u>Key</u>	<u>Land Pride #</u>	<u>Moore #</u>	<u>Description</u>	<u>Qty. Used</u>
3	8.0.9.00143	MO331-564	Tapered Bearing	2
4	8.7.300331	MO70190	Seal	1
6	8.5.2.00332	339001085	Snap Ring	2
11	8.0.9.01090	MO331-7012	Tapered Bearing	1
12	1.181.7101.00	MO76661	Sealing Lid	1
13	331-8045	MO331-8045	Seal	1
14	331-7114	MO331-7114	Tapered Bearing	1
17	0.121.7101.00	372006000	Cap	1

SMS Power Train and Hardware
 Call us today to get a quote at 800-467-3370
 Or email us at Parts@smspowertrain.com

For LAND PRIDE® 5615 & 6615 Series II JACKS

Replacement Heavy Duty Jacks



Sidewind

Topwind

Part #

Description

MO300HD

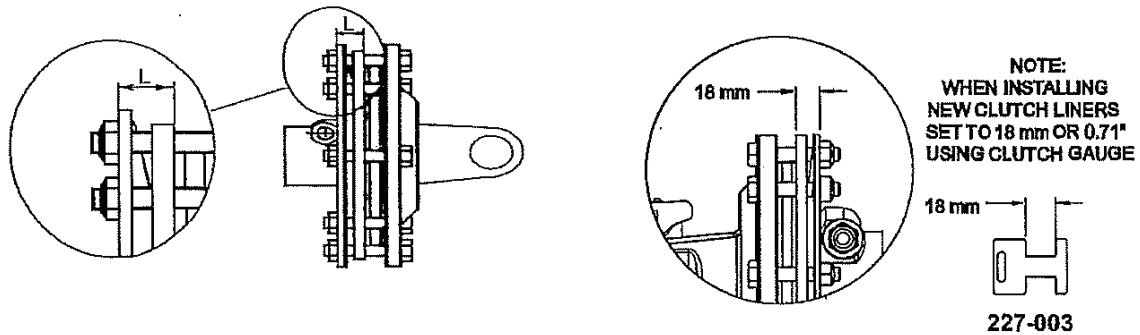
Heavy Duty Jack (Top Crank)

MO500HDS

Heavy Duty Jack (Side Crank)

SMS Power Train and Hardware
Call us today to get a quote at 800-467-3370
Or email us at Parts@smspowertrain.com

Clutch Settings



Bondioli Clutch Settings

FV42 Clutch (Wing Shafts) 1200 nm

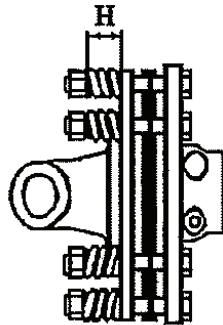
*The spring height L needs measured near each bolt
(18.5 mm or .71" with a tolerance + or - .4 mm)*

FV32 Clutch (Intermediate Shaft 1000 RPM) 900 nm

*The spring height L needs measured near each bolt
(18.0 mm or .71" with a tolerance + or - .4 mm)*

FT42 Clutch (Wing Shafts) 1200 nm

The band needs to touch then back off 1 mm to let moisture out.



Bondioli	FF2 Clutch (coil spring clutch) H = 27.5 mm or 1 3/32"	2 disks
Bondioli	FF3 Clutch (coil spring clutch) H = 28.5 mm or 1 1/8"	4 disks
Comer	F2 Clutch (coil spring clutch) H = 33.3 mm 1 11/32"	2 disks
Comer	F4 Clutch (coil spring clutch) H = 34.1 mm 1 5/16"	4 disks

SMS Power Train and Hardware
Call us today to get a quote at 800-467-3370
Or email us at Parts@smspowertrain.com

Clutch Lining Sizes

Lining Size Inside	Outside	Moore #	
3 13/16" 97 mm	6 5/16" 160 mm	247000061	Bondioli
3 13/16" 97 mm	6 5/16" 160 mm	MO31971	Eurocardan
3 3/8" 85 mm	6 3/8" 162 mm	247006351	Bondioli
3 3/8" 85 mm	5 1/2" 140 mm	247000054	Bondioli
3 5/8" 91 mm	5 15/16" 152 mm	MO1711	Comer/Walterscheid
3" 77 mm	5 9/16" 142 mm	247006251	Bondioli
3 7/8" 100 mm	7" 178 mm	MO581060003	Walterscheid
4" 102 mm	6 1/4" 158 mm	19459	Woods

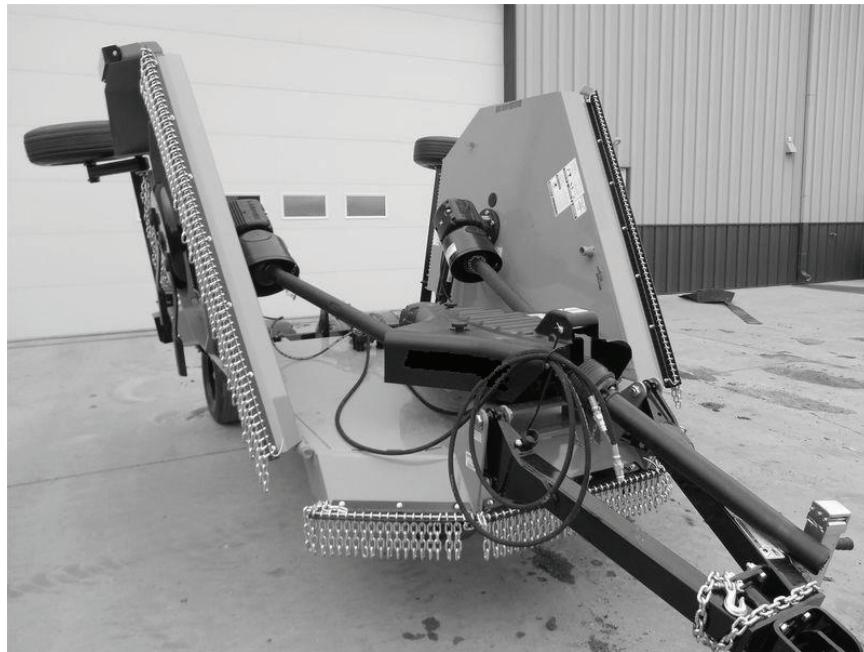
Manufactures Cross Reference

Manufacture	Part #	Moore #	
Alamo	00754202	MO1711	<i>Comer</i>
Alamo	8366	MO1711	<i>Walterscheid</i>
Schulte	341-631	247000061	<i>Bondioli</i>
Schulte	341-6247	247006351	<i>Bondioli</i>
Schulte	341-6228	247006251	<i>Bondioli</i>
Schulte	341-722	247000054	<i>Bondioli</i>
Schulte	341-3501	247000061	<i>Bondioli</i>
Schulte	341-6513	MO1711	<i>Eurogiunti</i>
Schulte	341-6547	247006251	<i>Eurogiunti</i>
Bush Whacker	1711	MO1711	<i>Comer</i>
Bush Whacker	3963	247006251	<i>Bondioli</i>
Bush Hog	91560	247000061	<i>Bondioli</i>
Bush Hog	91561	247000054	<i>Bondioli</i>
Bush Hog	76083	MO1711	<i>Comer</i>
Land Pride	1808010	MO31971	<i>Eurogiunti</i>
Land Pride	168556	MO1711	<i>Walterscheid</i>
Rhino	00754202	MO1711	<i>Comer</i>
Rhino	0581060003	MO581060003	<i>Walterscheid</i>
John Deere	W44285	247006251	<i>Bondioli</i>
John Deere	W34913	MO1711	<i>Walterscheid</i>
Woods	19459	19459	

SMS Power Train and Hardware
 Call us today to get a quote at 800-467-3370
 Or email us at Parts@smspowertrain.com

LAND PRIDE®

6010 & 6015 Rotary Cutter Replacement Parts



For LAND PRIDE 6010 & 6015

SMS Power Train and Hardware

Call us today to get a quote at 800-467-3370

Or email us at Parts@smspowertrain.com

LAND PRIDE

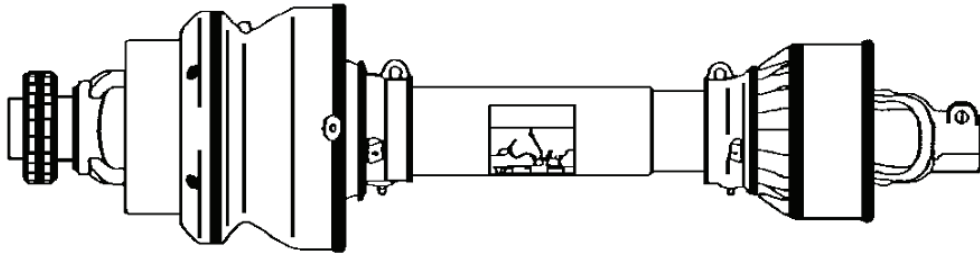
6010 & 6015

This Page

Intentionally Blank

SMS Power Train and Hardware
Call us today to get a quote at 800-467-3370
Or email us at Parts@smspowertrain.com

**CV MAIN DRIVESHAFT
TRACTOR TO MOWER CV REPLACEMENT DRIVESHAFT
540 RPM/1000 RPM**



Part #

Description

MO3950

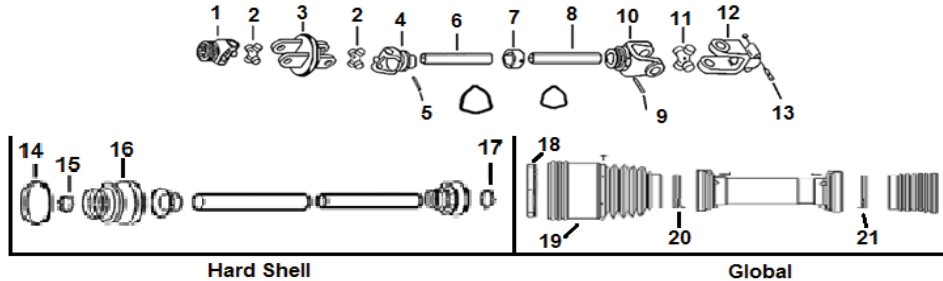
**Complete Main Driveshaft-CV (Bondioli) 540 RPM
1 3/8" – 6 Spline Tractor – 1 3/4"-20 Spline Splitter Box**

MO3990

**Complete Main Driveshaft-CV (Bondioli) 1000 RPM
1 3/8" – 21 Spline Tractor -1 3/4"-20 Spline Splitter Box**

SMS Power Train and Hardware
Call us today to get a quote at 800-467-3370
Or email us at Parts@smspowertrain.com

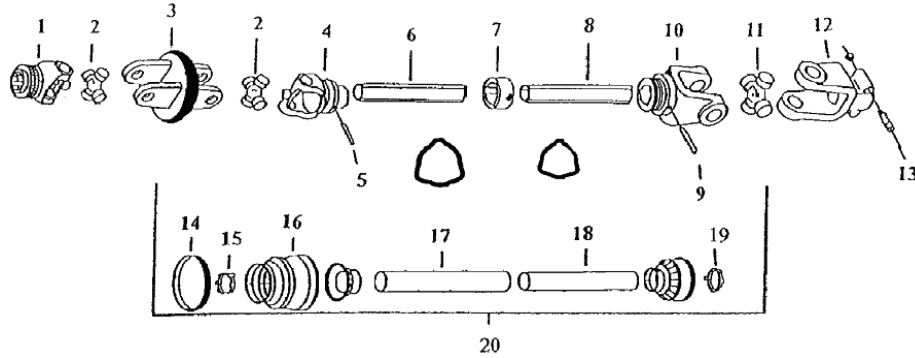
For LAND PRIDE 6010 & 6015
CV DRIVESHAFT
Replacement Parts for MO3990 CV Driveshaft (Bondioli)
1000 RPM Triangle Tubes
(One Piece “Accordion” Style CV Bell)



<u>Key</u>	<u>Part #</u>	<u>Description</u>
	MO3990	COMPLETE CV DRIVE SHAFT 1000 RPM
1	5730G3784	Tractor CV QD Yoke 1 3/8 – 21 spline
2	4120G0051	Cross Kit CV (2)
3	5110G0061	CV body
4	2150G6885	Outer Tube Yoke CV
5	341042000	Roll Pin Outer Yoke
6	225270840	Outer Tube
7	259006803	Grease Collar
8	245160840	Inner Tube RILSAN
9	341043000	Roll Pin Inner Yoke
10	204066852	Inner Tube Yoke
11	4120H0011	Cross Kit
12	5090H3860	Impl. Yoke – taper pin
13	408000076	Taper pin
14	2550G0024	CV Shield Bearings
15	255060005	Outer Shield Bearings
16	2190G0150	CV Shield
17	255060006	Inner Shield Bearing
18	2550G0024	CV Shield Bearing (Global)
19	219051401	CV Shield (Global)
20	255071002	Outer Shield Bearing (Global)
21	255071001	Inner Shield Bearing (Global)
	MO5522	Complete CV Shield Kit (Hard Shell Shield Cones)
	MO5525	Complete CV Shield Kit (Global) Flexible Shield Cones

SMS Power Train and Hardware
 Call us today to get a quote at 800-467-3370
 Or email us at Parts@smspowertrain.com

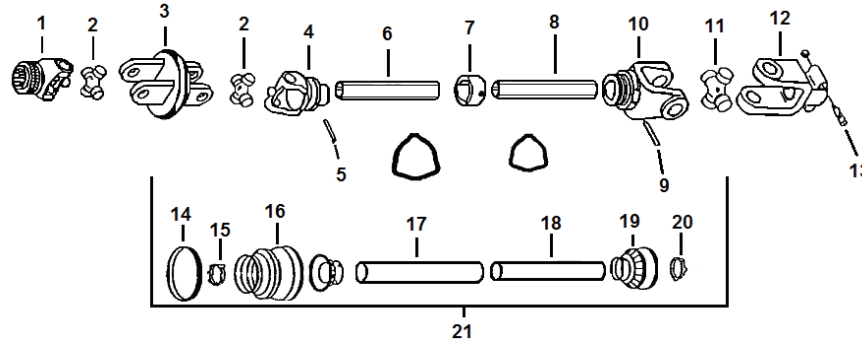
For LAND PRIDE 6010 & 6015
CV DRIVESHAFT
Replacement Parts for MO3950 CV Driveshaft (Bondioli)
540 RPM Triangle Tubes
(Two Piece CV Bell That Must Be Screwed Together)



<u>Key</u>	<u>Part #</u>	<u>Description</u>
	MO3950	COMPLETE CV DRIVESHAFT 540 RPM
1	573080399	Tractor CV QD Yoke 1 3/8 – 6 spline
2	412080012	Cross Kit CV (2)
3	511080051	CV body
4	215086854	Outer Tube Yoke CV
5	341054000	Roll Pin Outer Yoke
6	224380710	Outer Tube
7	239006815	Grease Collar
8	245690713	Inner Tube RILSAN
9	341055000	Roll Pin Inner Yoke
10	204086861	Inner Tube Yoke
11	41208R	Cross Kit
12	5090M3860	Impl. Yoke – taper pin
13	408000076	Taper pin
14	255080351	CV Shield Bearings
15	255080005	Outer Shield Bearings
16	517088001	CV Shield
17	236850952	Outer Shield Tube
18	236840952	Inner Shield Tube
19	255080006	Inner Shield Bearing
20	MO5530	Complete CV Shield Kit

SMS Power Train and Hardware
 Call us today to get a quote at 800-467-3370
 Or email us at Parts@smspowertrain.com

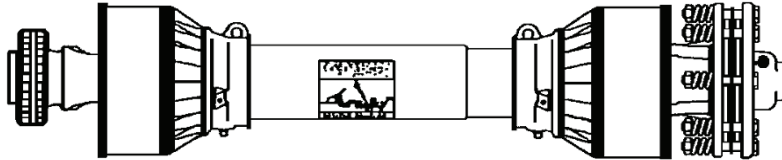
For LAND PRIDE 6010 & 6015
CV DRIVESHAFT
Replacement Parts for MO3950 CV Driveshaft (Bondioli)
540 RPM Triangle Tubes
(One Piece "Accordion" Style CV Bell)



<u>Key</u>	<u>Part #</u>	<u>Description</u>
	MO3950	COMPLETE CV DRIVE SHAFT 540 RPM
1	5730L0384	Tractor CV QD Yoke 1 3/8 – 6 spline
2	4120L0051	Cross Kit CV (2)
3	5110L0063	CV body
4	2150L6873	Outer Tube Yoke CV
5	341054000	Roll Pin Outer Yoke 12 x 90m
6	224320710	Outer Tube 28 1/2"
7	259006803	Grease Collar
8	245390720	Inner Tube RILSAN 28 1/2"
9	341055000	Roll Pin Inner Yoke 12 x 75m
10	204086888	Inner Tube Yoke
11	4120M0011	Cross Kit
12	5090M3860	Impl. Yoke – taper pin
13	408000076	Taper pin
14	2550L0023	CV Shield Bearings
15	255080005	Outer Shield Bearings
16	517080200	CV Shield
17	236850640	Outer Shield Tube
18	2370084E4	Inner Shield Tube
19	517080120	Shield Cone
20	255080006	Inner Shield Bearing
21	MO5532	Complete CV Shield Kit

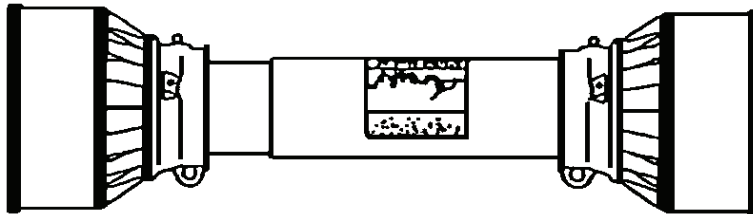
SMS Power Train and Hardware
 Call us today to get a quote at 800-467-3370
 Or email us at Parts@smspowertrain.com

**For LAND PRIDE 6010 & 6015
WING SHAFT
Replacement Wing Shaft with Clutch & Shield Kit**



<u>Part #</u>	<u>Description</u>
MO4990	Complete Wing Shaft with Clutch Bondioli 1 3/4" – 20 spline input yoke-1 3/4" – 20 spline clutch

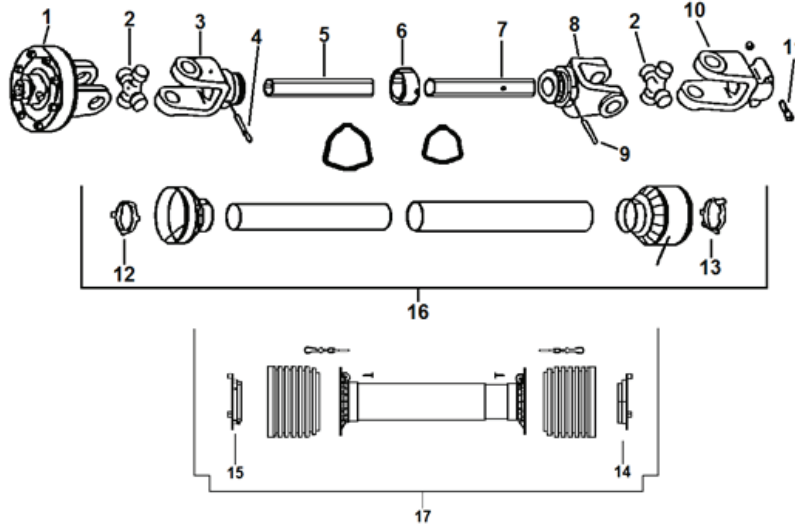
Replacement Shield Kit



<u>Part #</u>	<u>Description</u>
MO4530	Complete Shield Kit (Hard Shell Shield Cones) Bondioli
MO4535	Complete Shield Kit (Global) Flexible Shield Cones
MO56628	Complete Shield Kit (Factory Equipped) Eurocardan

SMS Power Train and Hardware
Call us today to get a quote at 800-467-3370
Or email us at Parts@smspowertrain.com

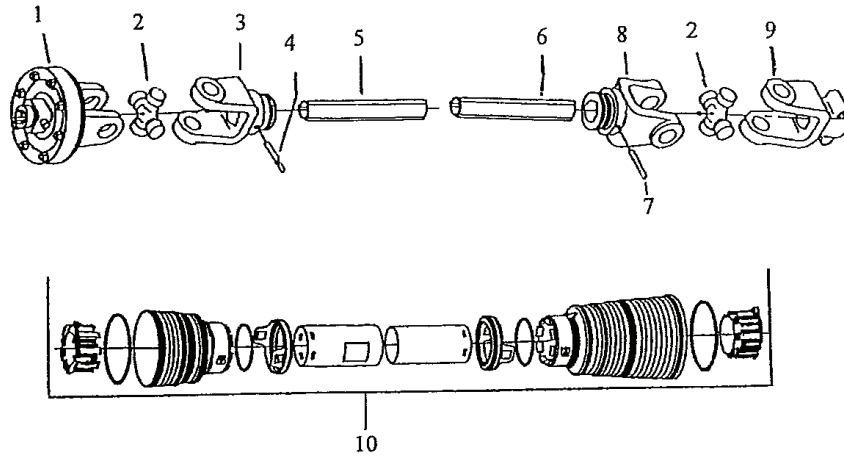
**For LAND PRIDE 6010 & 6015
WING SHAFT
MO4990 (Bondioli) Replacement Wing Shaft & Parts**



<u>Key</u>	<u>Part #</u>	<u>Description</u>
	MO4990	COMPLETE WING SHAFT
1	MO9958	Complete Clutch Belleville Spring 1 3/4 – 20 spline
2	4120H0011	Cross Kit (2)
3	204066852	Inner Tube Yoke
4	341043000	Roll Pin Inner Tube Yoke
5	270161075	Inner Tube Heat Treated
6	259006802	Grease Collar
7	224211016	Outer Tube
8	204066851	Outer Tube Yoke
9	341042000	Roll Pin Outer Tube Yoke
10	5090H3860	Impl. Yoke Taper Pin 1 3/4 – 20 spline
11	408000076	Taper Pin
12	255060006	Inner Shield Bearing
13	255060005	Outer Shield Bearing
14	255071001	Inner Shield Bearing (Global) Flexible Shield Cones
15	255071002	Outer Shield Bearing (Global) Flexible Shield Cones
16	MO4530	Complete Wing Shield Kit (Hard Shell Shield Cones)
17	MO4535	Complete Wing Shield Kit (Global) Flexible Shield Cones

SMS Power Train and Hardware
Call us today to get a quote at 800-467-3370
Or email us at Parts@smspowertrain.com

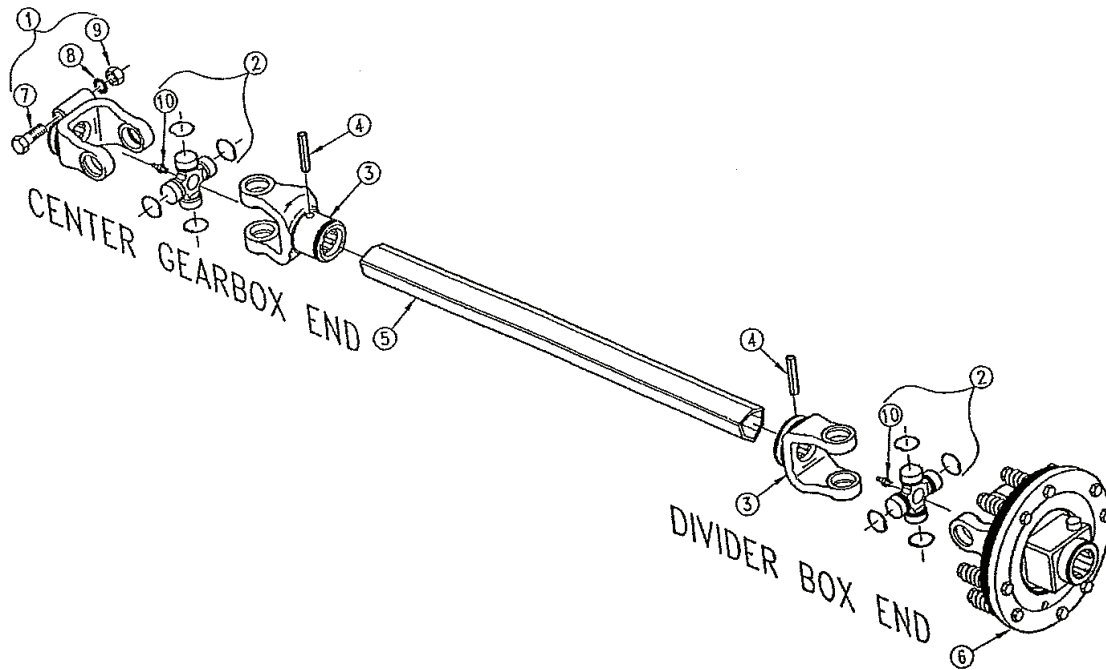
**For LAND PRIDE 6010 & 6015
WING SHAFT w/CLUTCH
Replacement Wing Shaft MO4990 for (Eurocardan) Series 6 & Parts**



<u>Key</u>	<u>Part #</u>	<u>Description</u>
	MO4990	COMPLETE WING SHAFT
1	MO34574 (1446037)	Complete Clutch FD4 1 3/4 – 20 spline
	MO32387 (1466030)	Complete Clutch FD4 1 3/8 – 6 spline
2	MO32192 (1006020)	Cross Kit (2)
3	MO33042 (1706029)	Inner Tube Yoke
4	MO36575 (6331075)	Roll Pin Inner Tube Yoke
5	MO33053 (1526801)	Inner Tube 59” Cut to length
6	MO33062 (1528801)	Outer Tube 59” Cut to length
7	MO32486 (6331080)	Roll Pin Outer Tube Yoke
8	MO33037 (1706027)	Outer Tube Yoke
9	MO33930 (1027025)	Impl. Yoke 1 3/4 – 20 spline
	MO32197 (1026010)	Impl. Yoke 1 3/8 – 6 spline
10	MO56628 (90SS6129)	Complete Wing Shield Kit (New Style)

SMS Power Train and Hardware
Call us today to get a quote at 800-467-3370
Or email us at Parts@smspowertrain.com

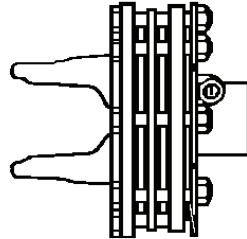
**For LAND PRIDE 6010 & 6015
INTERMEDIATE DRIVESHAFT
Replacement Intermediate Parts
540 RPM Triangle Tubes
(Eurocardan)**



<u>Key</u>	<u>Part #</u>	<u>Description</u>
1	5090H3860	Impl. Yoke 1 3/4" – 20 spline
2	4120H0011	Cross Kit (2)
3	204066851	Tube Yoke
4	341042000	Roll Pin
5	125121500	Tube (cut to length) 5 1/2"
6	MO34574	Clutch (Eurocardan)

SMS Power Train and Hardware
Call us today to get a quote at 800-467-3370
Or email us at Parts@smspowertrain.com

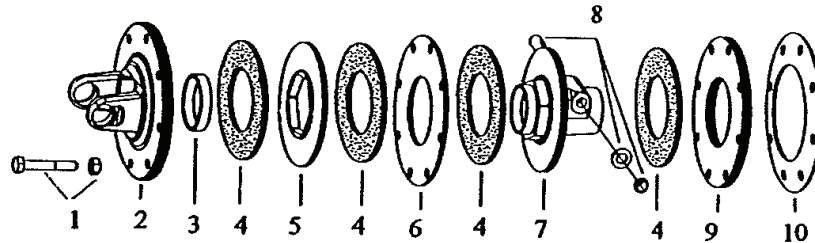
**For LAND PRIDE 6010 & 6015
FV34 CLUTCH
MO9958 (Bondioli) Replacement Clutch & Parts
(Belleville Spring)**



MO9958

FV34 Complete Clutch Size 6 1/4" 20 spline

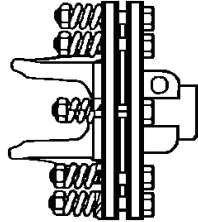
FV34 Clutch Parts



<u>Key</u>	<u>Part #</u>	<u>Description</u>	<u>Qty.Used</u>
1	432000114	Bolt w/lock nut	8
2	253068903	Flange yoke size 6	1
3	258005320	Bushing	1
4	247006251	Lining 3 x 5 9/16"	4
5	248727702	Drive Plate	1
6	248860001	Inner plate	1
7	515893805	Hub 1 3/4" 20 spline	1
8	408000076	Taper bolt	1
9	248860007	Pressure Plate	1
10	367008860	Belleville spring	1

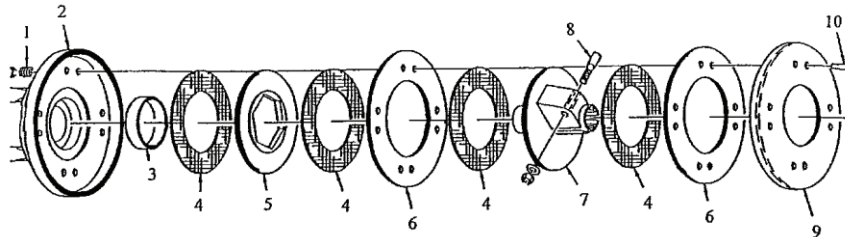
SMS Power Train and Hardware
Call us today to get a quote at 800-467-3370
Or email us at Parts@smspowertrain.com

**For LAND PRIDE 6010 & 6015
FD4 CLUTCH
MO34574 Replacement Clutch & Parts
Factory Equipped (Eurocardan)**



<u>Part #</u>	<u>Description</u>
MO34574	FD4 Complete Clutch Size 60 1 3/4" – 20 spline

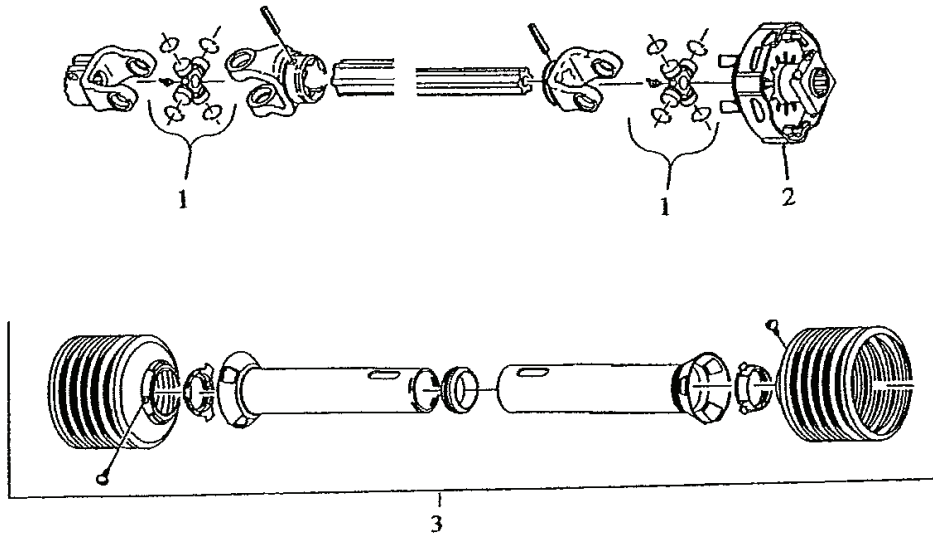
FD4 Clutch Parts



<u>Key</u>	<u>Part #</u>	<u>Description</u>
	<u>Moore</u>	<u>Eurocardan</u>
1	MO32498	1215012 Spring
2	MO32493	1706033 Flange w/yoke series 6
3	MO32490	1705009 Bushing
4	MO31971	1808010 Lining
5	MO34153	1708034 Inner Plate
6	MO32552	1138008 Inner Pressure Plate
7	MO34575	1708016 Hub 1 3/4-20
8	MO39224	6821484 Bolt Kit
9	MO32495	1138007 Pressure Plate
10	MO35030	6691010 Bolt & Nut

SMS Power Train and Hardware
Call us today to get a quote at 800-467-3370
Or email us at Parts@smspowertrain.com

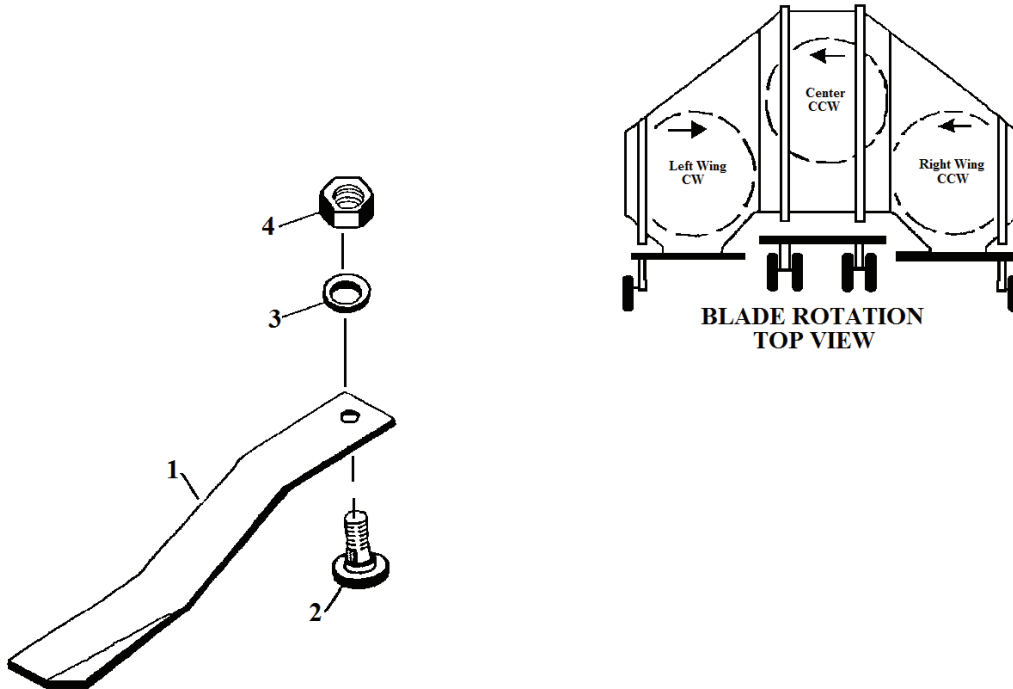
For LAND PRIDE 6010 & 6015
WING SHAFT w/CLUTCH
Replacement Parts for (Walterscheid) Wing Shaft



<u>Key</u>	<u>Part #</u>	<u>Description</u>
1	MO312209	Cross Kit (Walterscheid 2500)
2	MO1711	Clutch Lining (Walterscheid # 168556)
3	MO6400	Complete Shield Kit

SMS Power Train and Hardware
 Call us today to get a quote at 800-467-3370
 Or email us at Parts@smspowertrain.com

For LAND PRIDE 6010 & 6015
BLADES
Replacement Blades & Parts



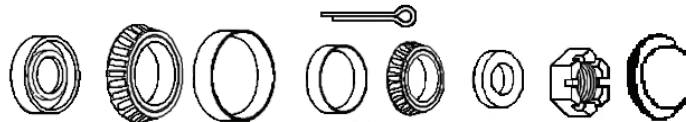
<u>Key</u>	<u>Part #</u>	<u>Description</u>	<u>Qty. Used</u>
1	MO820-168C	Blade CCW Center	2
	MO820-169C	Blade CCW Right Wing	2
	MO820-170C	Blade CW Left Wing	2
2	MO802-277C	Bolt (Keyed)	6
3	MO401-147C	Washer	6
4	MO120112	Lock Nut	6

SMS Power Train and Hardware
 Call us today to get a quote at 800-467-3370
 Or email us at Parts@smspowertrain.com

**For LAND PRIDE 6010 & 6015
WHEEL BEARING KIT
Replacement Wheel Bearing Kits**



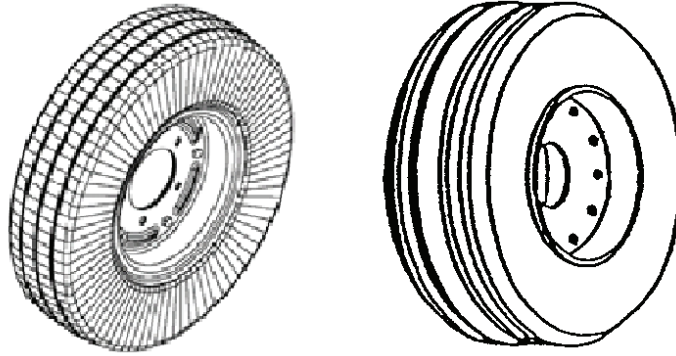
<u>Part #</u>	<u>Description</u>
MO6925	Wheel Bearing Kit S/N 489026+ (5 Bolt Hub) Consists of: 822-033C Bearing Cup 822-034C Bearing Cone 822-020C Bearing Cup 822-021C Bearing Cone 816-497C Seal 803-053C Nut 3/4" 804-216C Washer 3/4" 200-001D Hub Cap Cotter Key



<u>Part #</u>	<u>Description</u>
MO6920	Wheel Bearing Kit S/N 489025- (4 Bolt Hub) Consists of: 822-091C Bearings Cone (2) 822-092C Bearing Cup (2) 816-098C Seal 804-055C Washer 803-029C Nut, Slotted 200-001D Hub Cap Cotter Key 3/16 X 1 1/2"

SMS Power Train and Hardware
 Call us today to get a quote at 800-467-3370
 Or email us at Parts@smspowertrain.com

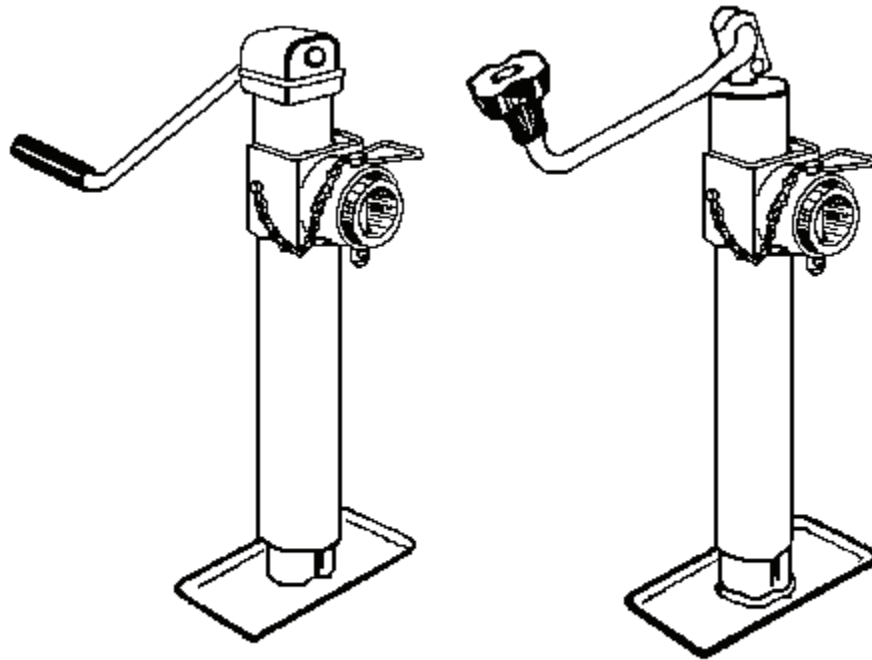
**For LAND PRIDE 6010 & 6015
WHEELS & TIRES
Replacement Wheels, Tires & Parts**



<u>Part #</u>	<u>Description</u>	
MO814-059	Laminated Wheel	4 hole rim
MO814-203C	Aircraft Tire Only (Recapped)	27 x 7.75 x 15
MO814-201C	Aircraft Tire w/Rim (Mounted)	27 x 7.75 x 15 4 hole rim
MO814-204C	Tube Only (Bent Metal Stem)	
MO814-204D	Tube Only (Side Valve Stem)	27 x 7.75 x 15
MO814-261C	Aircraft Tire Only (Recapped)	24 x 7.7 x 10
MO814-262C	Aircraft Tire w/Rim (Mounted)	4 hole rim
MO814-265F	Aircraft Tire w/Rim (Foam Filled)	24 x 7.7 x 10 4 hole rim
MO814-263C	Tube Only (Bent Metal Stem)	24 x 7.7 x 10

SMS Power Train and Hardware
Call us today to get a quote at 800-467-3370
Or email us at Parts@smspowertrain.com

**For LAND PRIDE 6010 & 6015
JACKS
Replacement Heavy Duty Jacks**



Sidewind

Topwind

Part #

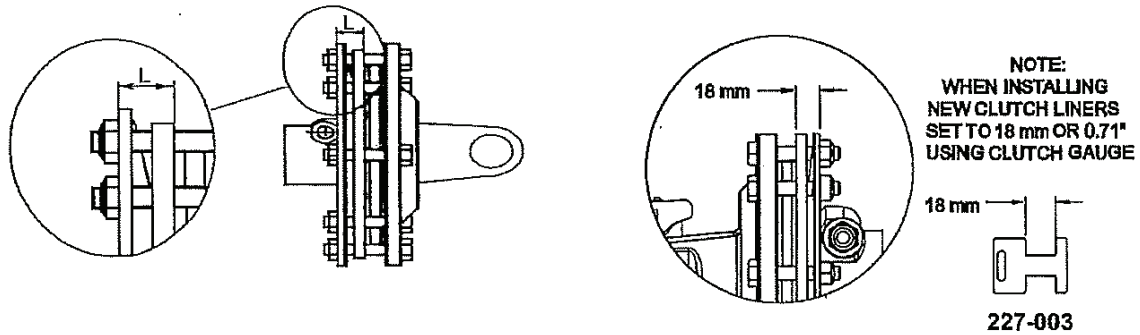
Description

MO300HD
MO5000HDS

Heavy Duty Jack (Top Crank)
Heavy Duty Jack (Side Crank)

SMS Power Train and Hardware
Call us today to get a quote at 800-467-3370
Or email us at Parts@smspowertrain.com

Clutch Settings



Bondioli Clutch Settings

FV42 Clutch (Wing Shafts) 1200 nm

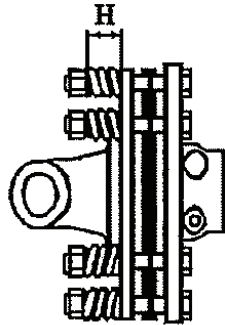
*The spring height L needs measured near each bolt
(18.5 mm or .71" with a tolerance + or - .4 mm)*

FV32 Clutch (Intermediate Shaft 1000 RPM) 900 nm

*The spring height L needs measured near each bolt
(18.0 mm or .71" with a tolerance + or - .4 mm)*

FT42 Clutch (Wing Shafts) 1200 nm

The band needs to touch then back off 1 mm to let moisture out.



Bondioli	FF2 Clutch (coil spring clutch) H = 27.5 mm or 1 3/32"	2 disks
Bondioli	FF3 Clutch (coil spring clutch) H = 28.5 mm or 1 1/8"	4 disks
Comer	F2 Clutch (coil spring clutch) H = 33.3 mm 1 11/32"	2 disks
Comer	F4 Clutch (coil spring clutch) H = 34.1 mm 1 5/16"	4 disks

SMS Power Train and Hardware
Call us today to get a quote at 800-467-3370
Or email us at Parts@smspowertrain.com

Clutch Lining Sizes

Lining Size Inside	Outside	Moore #	
3 13/16" 97 mm	6 5/16" 160 mm	247000061	Bondioli
3 13/16" 97 mm	6 5/16" 160 mm	MO31971	Eurocardan
3 3/8" 85 mm	6 3/8" 162 mm	247006351	Bondioli
3 3/8" 85 mm	5 1/2" 140 mm	247000054	Bondioli
3 5/8" 91 mm	5 15/16" 152 mm	MO1711	Comer/Walterscheid
3" 77 mm	5 9/16" 142 mm	247006251	Bondioli
3 7/8" 100 mm	7" 178 mm	MO581060003	Walterscheid
4" 102 mm	6 1/4" 158 mm	19459	Woods

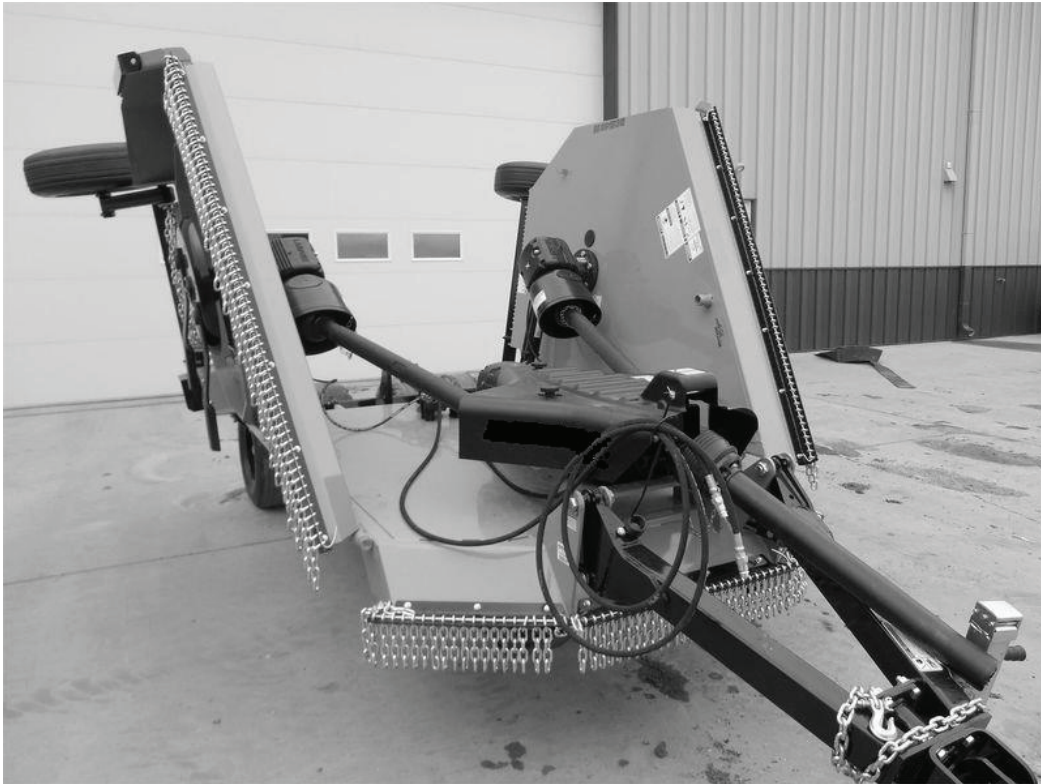
Manufactures Cross Reference

Manufacture	Part #	Moore #	
Alamo	00754202	MO1711	<i>Comer</i>
Alamo	8366	MO1711	<i>Walterscheid</i>
Schulte	341-631	247000061	<i>Bondioli</i>
Schulte	341-6247	247006351	<i>Bondioli</i>
Schulte	341-6228	247006251	<i>Bondioli</i>
Schulte	341-722	247000054	<i>Bondioli</i>
Schulte	341-3501	247000061	<i>Bondioli</i>
Schulte	341-6513	MO1711	<i>Eurogiunti</i>
Schulte	341-6547	247006251	<i>Eurogiunti</i>
Bush Whacker	1711	MO1711	<i>Comer</i>
Bush Whacker	3963	247006251	<i>Bondioli</i>
Bush Hog	91560	247000061	<i>Bondioli</i>
Bush Hog	91561	247000054	<i>Bondioli</i>
Bush Hog	76083	MO1711	<i>Comer</i>
Land Pride	1808010	MO31971	<i>Eurogiunti</i>
Land Pride	168556	MO1711	<i>Walterscheid</i>
Rhino	00754202	MO1711	<i>Comer</i>
Rhino	0581060003	MO581060003	<i>Walterscheid</i>
John Deere	W44285	247006251	<i>Bondioli</i>
John Deere	W34913	MO1711	<i>Walterscheid</i>
Woods	19459	19459	

SMS Power Train and Hardware
 Call us today to get a quote at 800-467-3370
 Or email us at Parts@smspowertrain.com

LAND PRIDE®

6610 & 6615 Rotary Cutter Replacement Parts



SMS Power Train and Hardware
Call us today to get a quote at 800-467-3370
Or email us at Parts@smspowertrain.com

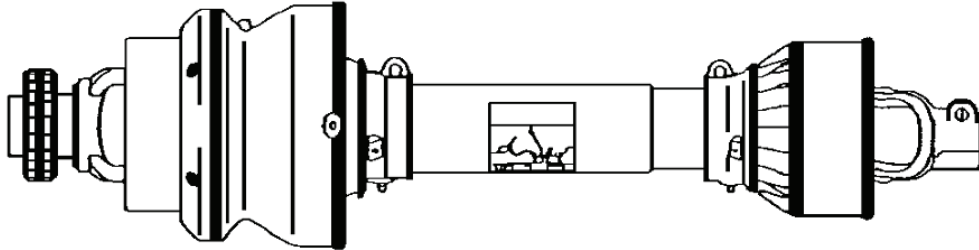
LAND PRIDE®

6610 & 6615

This Page Intentionally Blank

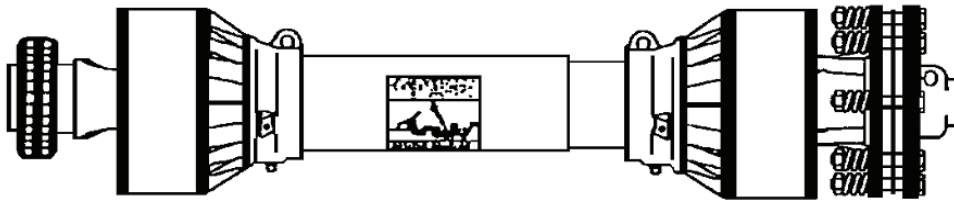
SMS Power Train and Hardware
Call us today to get a quote at 800-467-3370
Or email us at Parts@smspowertrain.com

For LAND PRIDE 6610 & 6615
CV DRIVESHAFT & WING SHAFT w/CLUTCH
TRACTOR TO MOWER CV REPLACEMENT DRIVESHAFT
540 RPM/1000 RPM



<u>Part #</u>	<u>Description</u>
MO3950	Complete Main Driveshaft-<u>CV</u> (Bondioli) <u>540 RPM</u> 1 3/8" – 6 Spline Tractor – 1 3/4"-20 Spline Splitter Box
MO3990	Complete Main Driveshaft-<u>CV</u> (Bondioli) <u>1000 RPM</u> 1 3/8" – 21 Spline Tractor -1 3/4"-20 Spline Splitter Box

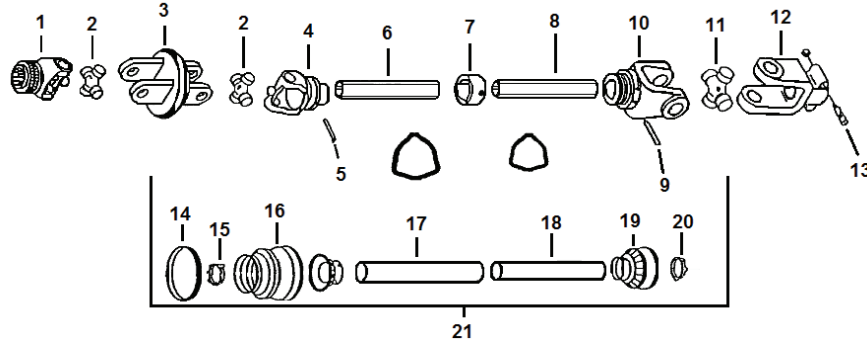
Wing Shaft



<u>Part #</u>	<u>Description</u>
MO4990	Complete Wing Shaft w/Clutch 1 3/4"-20 Spline

SMS Power Train and Hardware
 Call us today to get a quote at 800-467-3370
 Or email us at Parts@smspowertrain.com

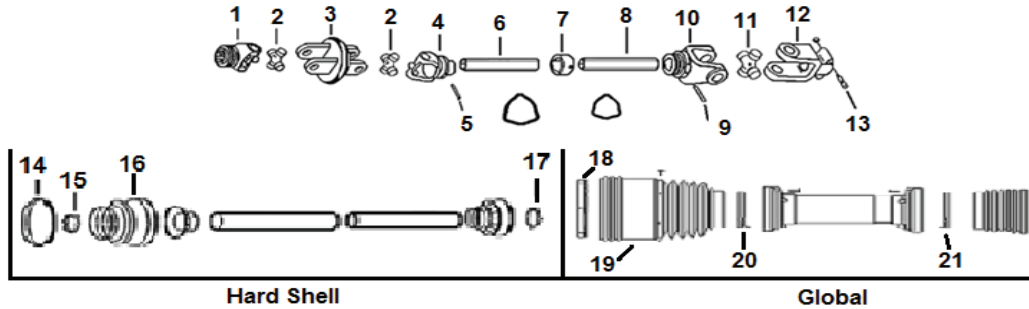
For LAND PRIDE 6610 & 6615
CV DRIVESHAFT
Replacement Parts for MO3950 CV Driveshaft (Bondioli)
540 RPM Triangle Tubes
(One Piece “Accordion” Style CV Bell)



<u>Key</u>	<u>Part #</u>	<u>Description</u>
	MO3950	COMPLETE CV DRIVESHAFT
1	5730L0384	Tractor CV QD Yoke 1 3/8 – 6 spline
2	4120L0051	Cross Kit CV (2)
3	5110L0063	CV body
4	2150L6873	Outer Tube Yoke CV
5	341054000	Roll Pin Outer Yoke 12 x 90m
6	224320710	Outer Tube
7	259006803	Grease Collar
8	245390720	Inner Tube RILSAN
9	341055000	Roll Pin Inner Yoke 12 x 75m
10	204086888	Inner Tube Yoke
11	4120M0011	Cross Kit
12	5090M3860	Impl. Yoke – taper pin
13	408000076	Taper pin
14	2550L0023	CV Shield Bearings
15	255080005	Outer Shield Bearings
16	517080200	CV Shield
17	236850640	Outer Shield Tube
18	2370084E4	Inner Shield Tube
19	517080120	Shield Cone
20	255080006	Inner Shield Bearing
21	MO5532	Complete CV Shield Kit

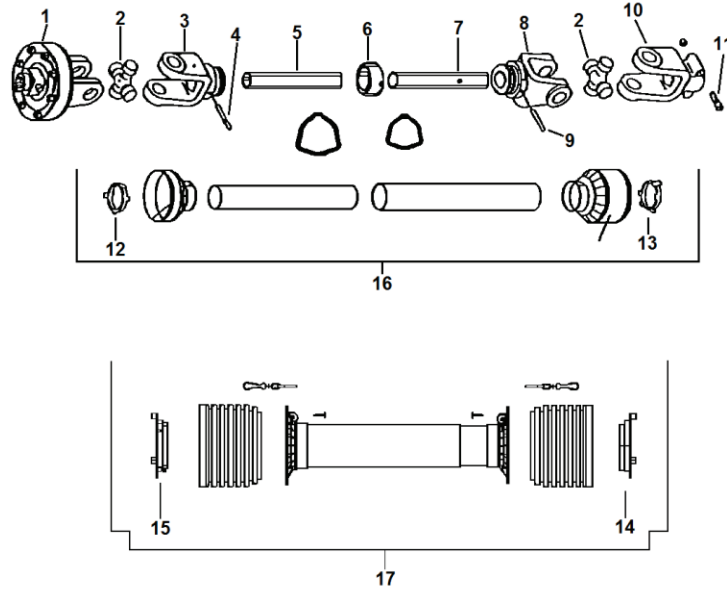
SMS Power Train and Hardware
 Call us today to get a quote at 800-467-3370
 Or email us at Parts@smspowertrain.com

For LAND PRIDE 6610 & 6615
CV DRIVESHAFT
Replacement Parts for MO3990 CV Driveshaft (Bondioli)
1000 RPM Triangle Tubes
(One Piece “Accordion” Style CV Bell)



<u>Key</u>	<u>Part #</u>	<u>Description</u>
	MO3990	COMPLETE CV DRIVESHAFT
1	5730G3784	Tractor CV QD Yoke 1 3/8 – 21 spline
2	4120G0051	Cross Kit CV (2)
3	5110G0061	CV body
4	2150G6885	Outer Tube Yoke CV
5	341042000	Roll Pin Outer Yoke
6	225270840	Outer Tube
7	259006803	Grease Collar
8	245160840	Inner Tube RILSAN
9	341043000	Roll Pin Inner Yoke
10	204066852	Inner Tube Yoke
11	4120H0011	Cross Kit
12	5090H3860	Impl. Yoke – taper pin
13	408000076	Taper pin
14	2550G0024	CV Shield Bearings
15	255060005	Outer Shield Bearings
16	2190G0150	CV Shield
17	255060006	Inner Shield Bearing
18	2550G0024	CV Shield Bearing (Global)
19	219051401	CV Shield (Global)
20	255071002	Outer Shield Bearing (Global)
21	255071001	Inner Shield Bearing (Global)
	MO5522	Complete CV Shield Kit (Hard Shell Shield Cones)
	MO5525	Complete CV Shield Kit (Global) Flexible Shield Cones

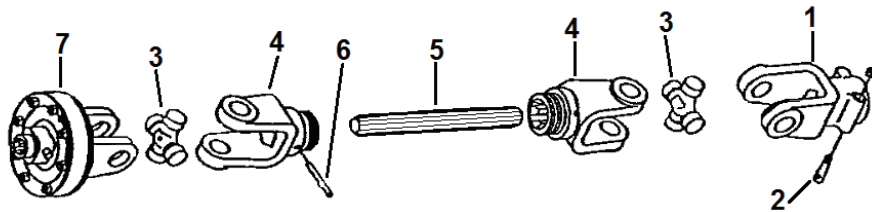
**For LAND PRIDE 6610 & 6615
WING SHAFT
MO4990 (Bondioli) Replacement Wing Shaft &Parts**



<u>Key</u>	<u>Part #</u>	<u>Description</u>
	MO4990	COMPLETE WING SHAFT
1	MO9958	Complete Clutch Belleville Spring 1 3/4 – 20 spline
2	4120H0011	Cross Kit (2)
3	204066852	Inner Tube Yoke
4	341043000	Roll Pin Inner Tube Yoke
5	270161075	Inner Tube Heat Treated
6	259006802	Grease Collar
7	224211016	Outer Tube
8	204066851	Outer Tube Yoke
9	341042000	Roll Pin Outer Tube Yoke
10	5090H3860	Impl. Yoke Taper Pin 1 3/4 – 20 spline
11	408000076	Taper Pin
12	255060006	Inner Shield Bearing
13	255060005	Outer Shield Bearing
14	255071001	Inner Shield Bearing (Global) Flexible Shield Cones
15	255071002	Outer Shield Bearing (Global) Flexible Shield Cones
16	MO4530	Complete Wing Shield Kit (Hard Shell Shield Cones)
17	MO4535	Complete Wing Shield Kit (Global) Flexible Shield Cones

SMS Power Train and Hardware
Call us today to get a quote at 800-467-3370
Or email us at Parts@smspowertrain.com

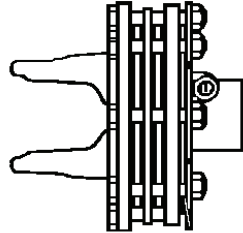
**For LAND PRIDE 6610 & 6615
INTERMEDIATE DRIVESHAFT
MO340-6155 Replacement Intermediate Shaft & Parts**



<u>Key</u>	<u>Part #</u>	<u>Description</u>
	MO340-6155	COMPLETE INTERMEDIATE ASSEMBLY <u>540 RPM</u>
1	5090H3860	Yoke 1 3/4 – 20 spline
2	408000076	Tapered Bolt
3	4120H0011	Cross Kit (2)
4	204063361	Splined Yoke (2)
5	MO341-6071	Splined Shaft
6	345001000	Roll Pin
7	MO9980	FV42 Clutch 1 3/4 - 20 spline

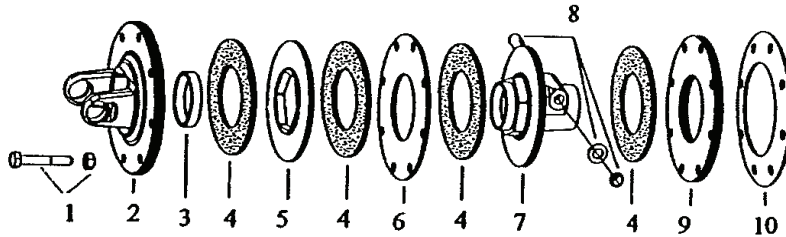
SMS Power Train and Hardware
Call us today to get a quote at 800-467-3370
Or email us at Parts@smspowertrain.com

**For LAND PRIDE 6610 & 6615
FV34 Clutch
MO9958 Replacement Clutch & Parts
(Belleville Spring)**



<u>Part #</u>	<u>Description</u>
MO9958	FV34 Complete Clutch Size 6 1 3/4" 20 spline

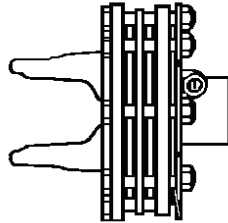
FV34 Clutch Parts



<u>Key</u>	<u>Part #</u>	<u>Description</u>	<u>Qty. Used</u>
1	432000114	Bolt w/lock nut	8
2	253068903	Flange yoke size 6	1
3	258005320	Bushing	1
4	247006251	Lining 3 x 5 9/16"	4
5	248727702	Drive Plate	1
6	248860001	Inner plate	1
7	515893805	Hub 1 3/4" 20 spline	1
8	408000076	Taper bolt	1
9	248860007	Pressure Plate	1
10	367008860	Belleville spring	1

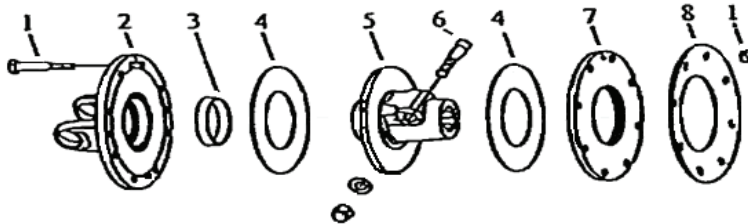
SMS Power Train and Hardware
Call us today to get a quote at 800-467-3370
Or email us at Parts@smspowertrain.com

**For LAND PRIDE 6610 & 6615
FV42 CLUTCH
MO9980 Replacement Clutch & Parts
(Belleville Spring)**



<u>Part #</u>	<u>Description</u>
MO9980	FV42 Complete Clutch Size 6 1 3/4" 24 spline

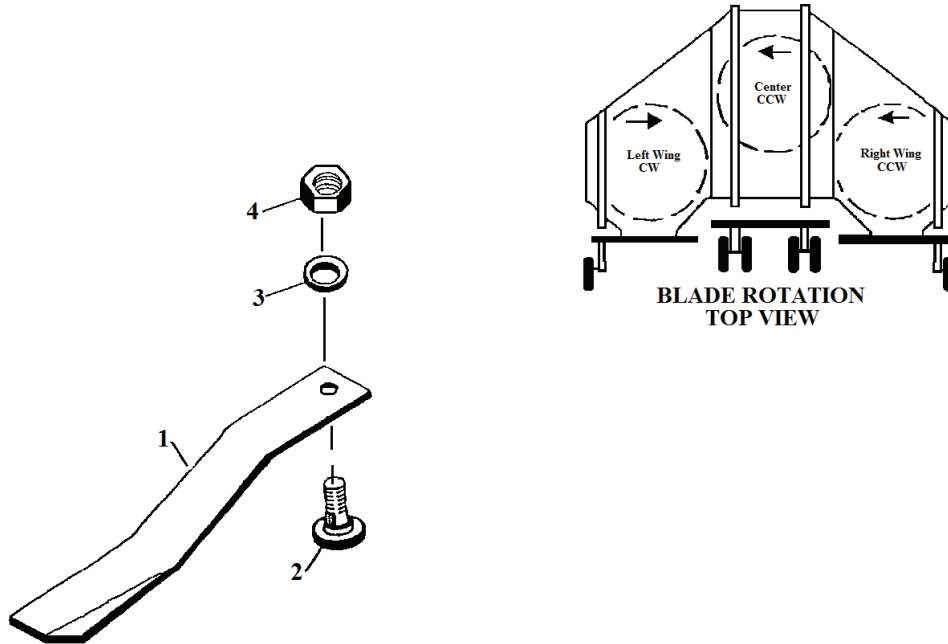
FV42 Clutch Parts



<u>Key</u>	<u>Part #</u>	<u>Description</u>	<u>Qty. Used</u>
1	432000054	Bolt w/lock nut	8
2	253069001	Flange yoke size 6	1
3	258005320	Bushing	1
4	247006351	Lining 3 3/8 x 6 3/8"	2
5	515873805	Hub 1 3/4" 24 spline	1
6	408000075	Taper bolt 1 3/8"	1
7	248870005	Inner plate	1
8	367FT420D	Belleville spring 4.5mm	1

SMS Power Train and Hardware
Call us today to get a quote at 800-467-3370
Or email us at Parts@smspowertrain.com

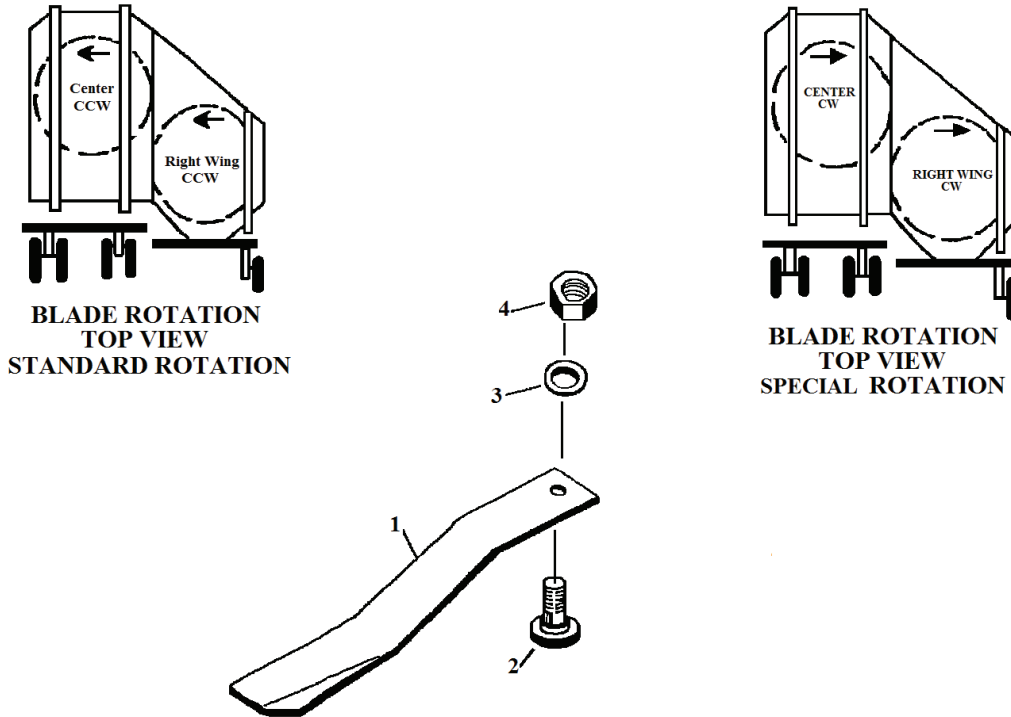
For LAND PRIDE 6610 & 6615 15'
BLADES
Replacement Blades & Parts



<u>Key</u>	<u>Part #</u>	<u>Description</u>	<u>Qty. Used</u>
1	MO820-168C	Blade CCW Center	2
	MO820-169C	Blade CCW Right Wing	2
	MO820-170C	Blade CW Left Wing	2
2	MO802-277C	Bolt (Keyed)	6
3	MO401-147C	Washer	6
4	MO120112	Lock Nut	6

SMS Power Train and Hardware
 Call us today to get a quote at 800-467-3370
 Or email us at Parts@smspowertrain.com

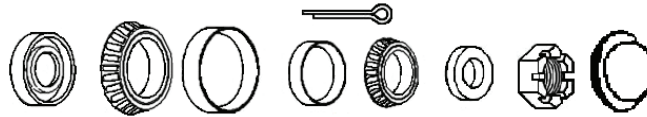
For LAND PRIDE 6610 10'
BLADES
Replacement Blades & Parts



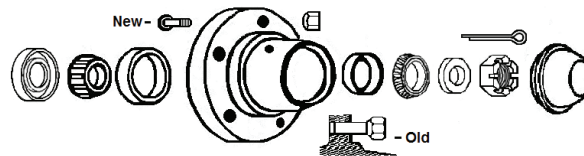
<u>Key</u>	<u>Part #</u>	<u>Description</u>	<u>Qty. Used</u>
1	MO820-168C	Blade CCW Center (Std. Rotation)	2
	MO820-249C	Blade CW Center (Special Rotation)	2
	MO820-169C	Blade CCW Right Wing (Std. Rotation)	2
	MO820-170C	Blade CW Right Wing(Special Rotation)	2
2	MO802-277C	Bolt (Keyed)	6
3	MO401-147C	Washer	6
4	MO120112	Lock Nut	6

SMS Power Train and Hardware
 Call us today to get a quote at 800-467-3370
 Or email us at Parts@smspowertrain.com

For LAND PRIDE 6610 & 6615
WHEEL HUBS & TURNBUCKLES
Replacement Wheel Bearing, Hub, Turnbuckle & Parts



<u>Part #</u>	<u>Description</u>
MO6925	Wheel Bearing Kit Consists of: 822-033C Bearing Cup 822-034C Bearing Cone 822-020C Bearing Cup 822-021C Bearing Cone 816-497C Seal 803-053C Nut 3/4" 803-029C Nut 7/8" 804-216C Washer 3/4" 804-055C Washer 7/8" 200-001D Hub Cap Cotter Key



<u>Part #</u>	<u>Description</u>
MO815-244C	Wheel Hub Complete with Bearings (5 Hole) 3/4" Nut Spindle
MO330-938K	Wheel Hub Complete with Bearings (5 Hole) 7/8" Nut Spindle
MO207-043	Stud Bolt w/Nut (New)
MO207-028	Wheel Bolt (Old)

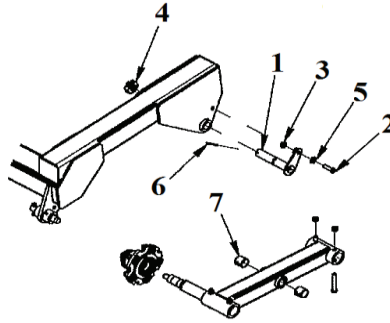
Leveling Rod Turnbuckle
(Parts Not Sold Separate)



<u>Part #</u>	<u>Description</u>	<u>Qty. Used</u>
MO890-974C	Turnbuckle w/Swivel	2

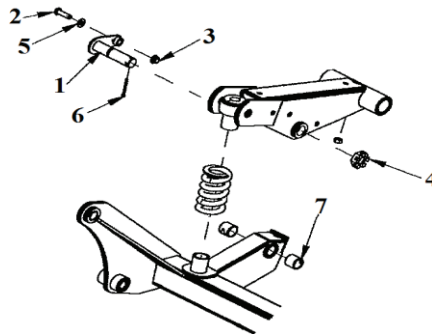
SMS Power Train and Hardware
Call us today to get a quote at 800-467-3370
Or email us at Parts@smspowertrain.com

For LAND PRIDE 6610 & 6615
TANDEM AXLE ARM
Replacement Tandem Axle Arm & Parts



<u>Key</u>	<u>Part #</u>	<u>Description</u>	<u>Qty. Used</u>
1	MO330-616H	Pivot Pin	2
2	MO50175	Bolt	2
3	MO50CZ	Lock Nut	2
4	MO803-381C	Slotted Jam Nut	2
5	MO5100	Flat Washer	2
6	MO190250	Cotter Key	2
7	MO891-177C	Bushing	4

Single Wing Axle Arm

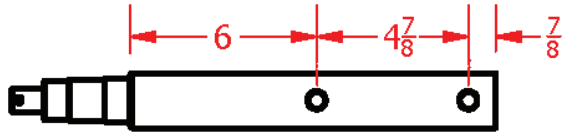


<u>Key</u>	<u>Part #</u>	<u>Description</u>	<u>Qty. Used</u>
1	MO330-608H	Pivot Pin	2
2	MO50175	Bolt	2
3	MO50CZ	Lock Nut	2
4	MO803-381C	Slotted Jam Nut	2
5	MO5100	Washer	2
6	MO190250	Cotter Key	2
7	MO891-177C	Bushing	4

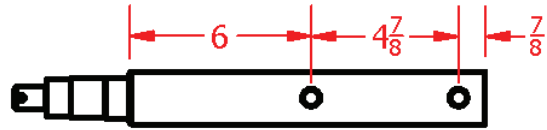
SMS Power Train and Hardware
 Call us today to get a quote at 800-467-3370
 Or email us at Parts@smspowertrain.com

For LAND PRIDE 6610 & 6615 WHEEL SPINDLE MEASUREMENTS

Main Frame Single Spindles

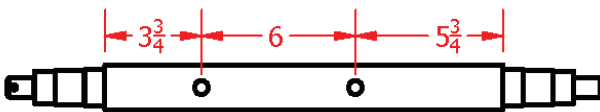


815-241C
(3/4" Nut)

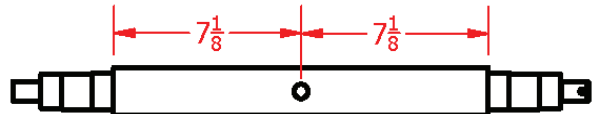


815-433C
(7/8" Nut)

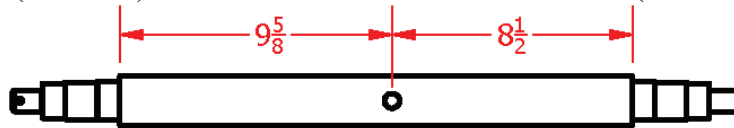
Main Frame Dual Spindles



815-240C
(3/4" Nut)

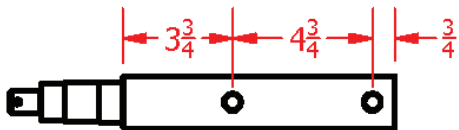


815-291C
(3/4" Nut)

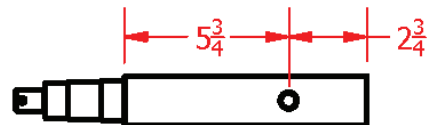


815-425C
(7/8" Nut)

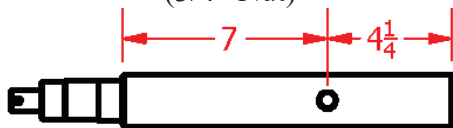
Wing Spindles



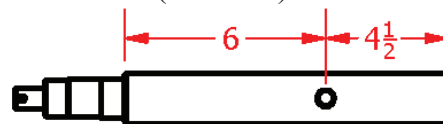
815-237C
(3/4" Nut)



815-308C
(3/4" Nut)



815-430C
(7/8" Nut)



815-432C
(7/8" Nut)

****Please use above measurements to assure accuracy.**

SMS Power Train and Hardware
Call us today to get a quote at 800-467-3370
Or email us at Parts@smspowertrain.com

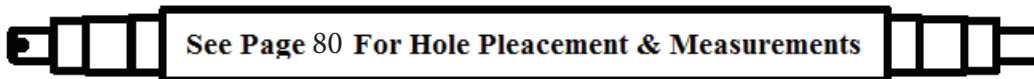
**For LAND PRIDE 6610 & 6615
WHEEL SPINDLES
Replacement Spindles & Parts**

Main Frame w/Walking Axle



<u>Part #</u>	<u>Description</u>		
MO815-241C**	Single Spindle Removable	3/4" Nut	14 1/2" long
MO815-433C**	Single Spindle Removable	7/8" Nut	14 1/2" long

Main Frame w/Dual Axle



<u>Part #</u>	<u>Description</u>		
815-240C**	Dual Spindle Removable	3/4" Nut	23 1/4" long
815-291C**	Dual Spindle Removable	3/4" Nut	22" long
815-425C**	Dual Spindle Removable	7/8" Nut	26" long

Wing w/Standard Axle

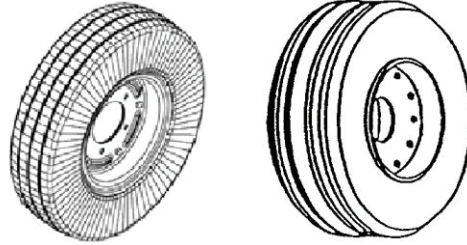


<u>Part #</u>	<u>Description</u>		
815-237C**	Single Spindle Removable	3/4" Nut	12 1/4" long
MO815-308C**	Single Spindle Removable	3/4" Nut	12 3/8" long
MO815-430C**	Single Spindle Removable	7/8" Nut	15 1/4" long
MO815-432C**	Single Spindle Removable	7/8" Nut	14 1/4" long
MO50325G8	Grade 8 Bolt		
MO50CZ	Lock Nut		

****Please refer to Spindle Measurement page 80 to assure accuracy.**

SMS Power Train and Hardware
Call us today to get a quote at 800-467-3370
Or email us at Parts@smspowertrain.com

**For LAND PRIDE 6610 & 6615
TIRES & WHEELS
Replacement Tires & Parts**



<u>Part#</u>	<u>Description</u>	
MO510BH	Laminated Wheel	5 hole rim
MO814-203C	Aircraft tire only (recapped)	27 x 7.75 x 15
MO814-201D	Aircraft Tire w/Rim (mounted)	27 x 7.75 x 15 5 hole rim
MO814-204C	Tube only (Bent Metal Stem)	
MO814-204D	Tube only (Side Valve Stem)	27 x 7.75 x 15
MO814-261C	Aircraft Tire only (recapped)	24 x 7.7 x 10
MO814-262D	Aircraft Tire w/Rim (mounted)	24 x 7.7 x 10 5 hole rim
MO814-277F	Aircraft Tire w/Rim <u>Foam Filled</u>	24 x 7.7 x 10 5 hole rim
MO814-263C	Tube only (Bent Metal Stem)	
MO210-163	Tube only (Side Valve Stem)	24 x 7.7 x 10
MO14052A	Aircraft Tire only (recapped)	25.5 x 8 x 14
MO14054A	Aircraft Tire w/Rim (mounted)	25.5 x 8 x 14 5 hole rim
MO14053	Tube only (Bent Metal Stem)	25.5 x 8 x 14
MO2490	Aircraft Tire only (recapped)	29 x 9.0 x 15
MO2491	Aircraft Tire w/Rim (mounted)	29 x 9.0 x 15 5 hole rim
MO48801	Tube only (Bent Metal Stem)	29 x 9.0 x 15

SMS Power Train and Hardware
Call us today to get a quote at 800-467-3370
Or email us at Parts@smspowertrain.com

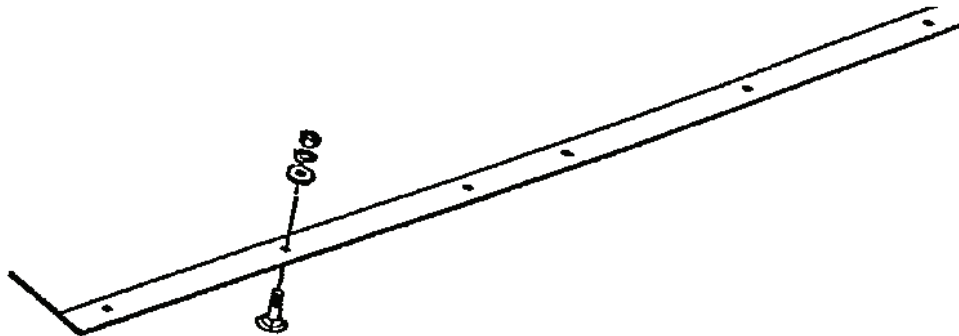
**For LAND PRIDE 6610 & 6615
SKID SHOES
Replacement Skids & Parts**

Front Skid Shoes



<u>Part #</u>	<u>Description</u>	<u>Qty. Used</u>
MO330-185H	Front Skid Shoe	2
MO63250	Bolts	4
MO63CZ	Lock Nuts	4

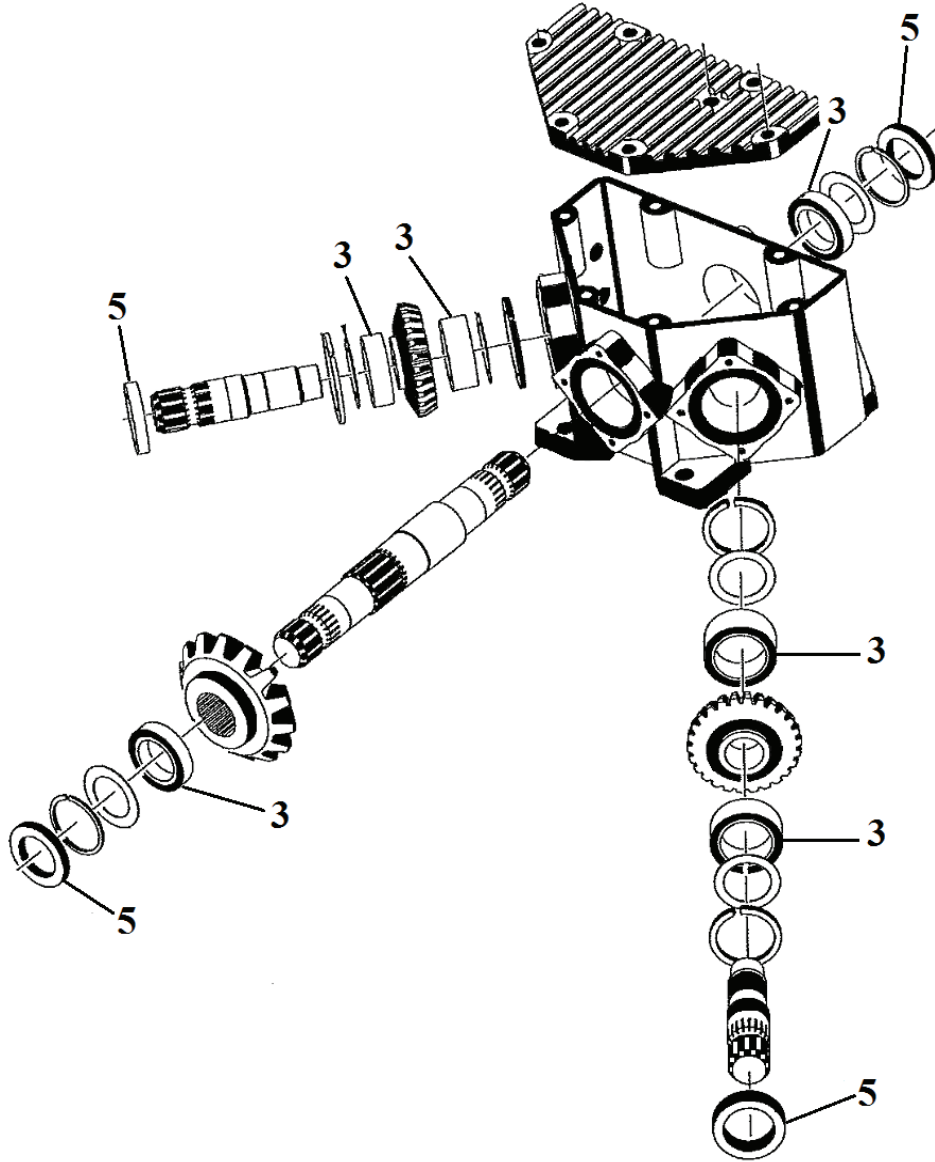
Wing Skid Shoes



<u>Part #</u>	<u>Description</u>	<u>Qty. Used</u>
MO318-633D	Wing Skid Shoe S/N 797271-	2
MO330-835D	Wing Skid Shoes S/N 797272+	2
MO38125PL	Plow Bolts	12
MO38CZ	Lock Nuts	12

SMS Power Train and Hardware
Call us today to get a quote at 800-467-3370
Or email us at Parts@smspowertrain.com

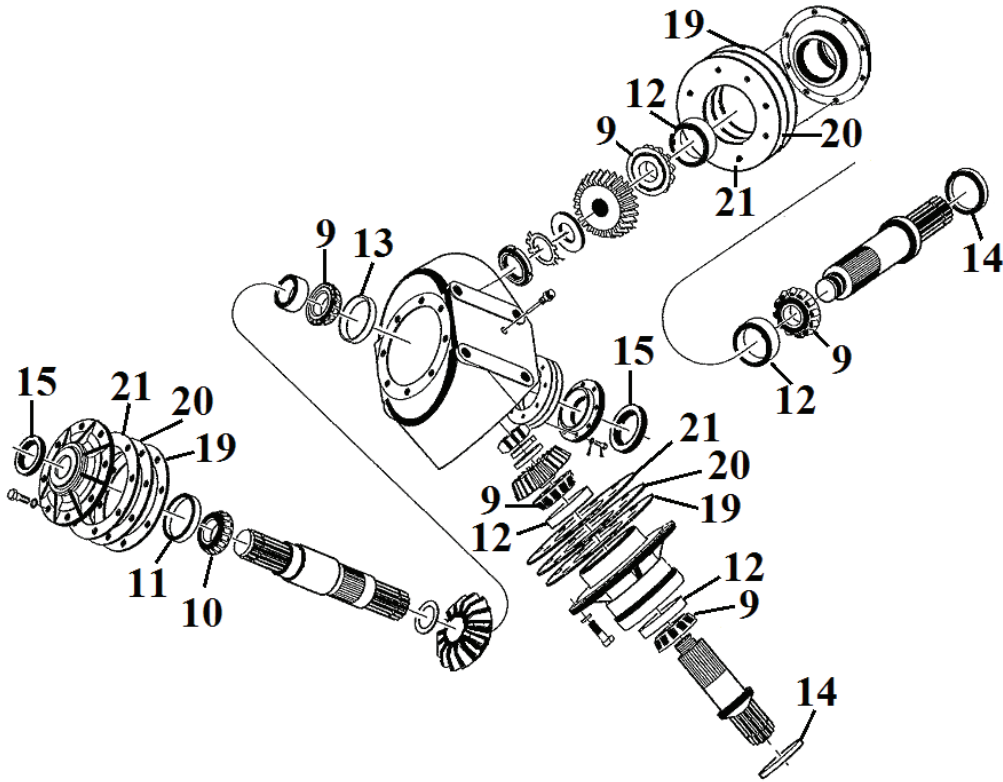
**For LAND PRIDE 6610 & 6615
DIVIDER GEAR BOX
Replacement Seals & Tapered Bearings
Comer**



<u>Key</u>	<u>Land Pride #</u>	<u>Moore #</u>	<u>Description</u>	<u>Qty. Used</u>
3	8.0.9.00143	MO331-564	Tapered Bearing	6
5	8.7.3.00331	MO70190	Seal	4

SMS Power Train and Hardware
Call us today to get a quote at 800-467-3370
Or email us at Parts@smspowertrain.com

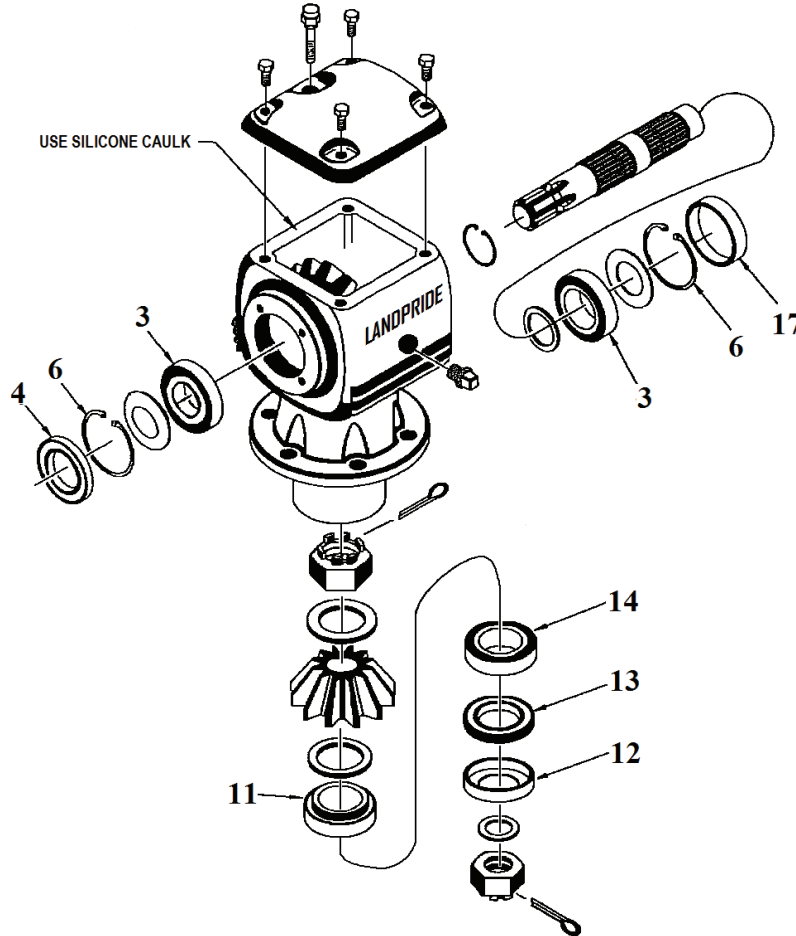
**For LAND PRIDE 6610 & 6615
DIVIDER GEAR BOX
Replacement Bearings, Seals & Shims
Omni**



<u>Key</u>	<u>Land Pride #</u>	<u>Moore #</u>	<u>Description</u>
9	050008	MO2711	Bearing Cone
10	050012	MO2715	Bearing Cone
11	050013	MO2716	Bearing Cup
12	050014	MO2712	Bearing Cup
13	050015	MO2729	Bearing Cup
14	060020	MO2746	Seal
15	060051	MO2713	Seal
19	070140	MO2721	Shim 0.30 mm
20	070141	MO2722	Shim 0.15 mm
21	070142	MO2745	Shim 0.10 mm

SMS Power Train and Hardware
Call us today to get a quote at 800-467-3370
Or email us at Parts@smspowertrain.com

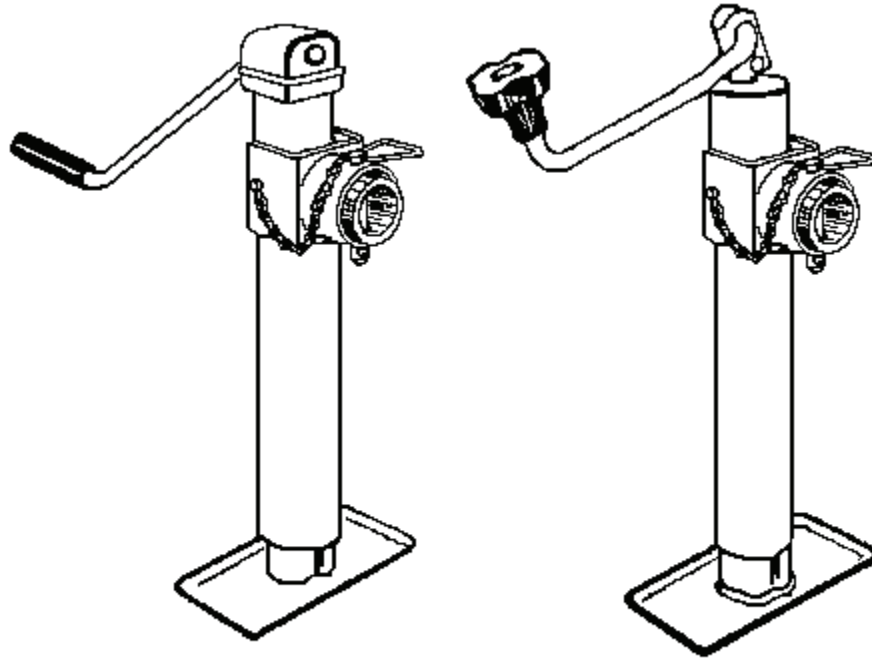
**For LAND PRIDE 6610 & 6615
WING GEAR BOX
Replacement Wing Gear Box Parts**



<u>Key</u>	<u>Land Pride #</u>	<u>Moore #</u>	<u>Description</u>	<u>Qty. Used</u>
3	8.0.9.00143	MO331-564	Tapered Bearing	2
4	8.7.3.00331	MO70190	Seal	1
6	8.5.2.00332	339001085	Snap Ring	2
11	8.0.9.01090	MO331-7012	Tapered Bearing	1
14	331-7114	MO331-7114	Tapered Bearing	1
13	331-8045	MO331-8045	Seal	1
12	1.181.7101.00	MO76661	Sealing Lid	1
17	0.121.7101.00	372006000	Cap	1

SMS Power Train and Hardware
Call us today to get a quote at 800-467-3370
Or email us at Parts@smspowertrain.com

**For LAND PRIDE 6610 & 6615
JACKS
Replacement Heavy Duty Jacks**



Sidewind

Topwind

Part #

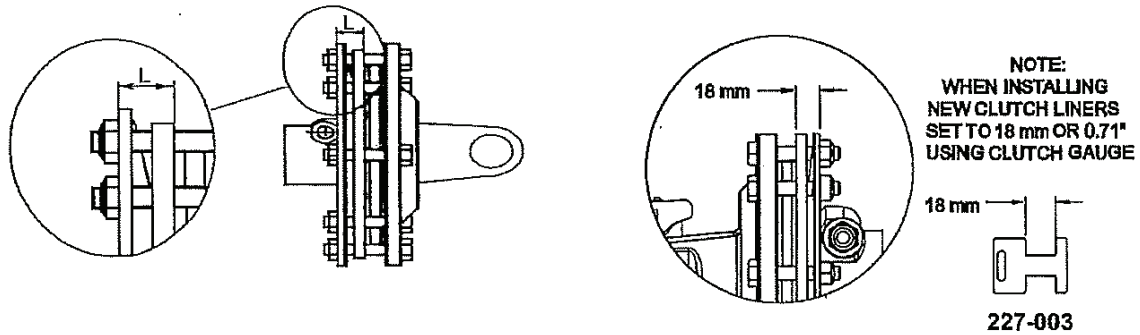
Description

**MO300HD
MO5000HDS**

Heavy Duty Jack (Top Crank)
Heavy Duty Jack (Side Crank)

SMS Power Train and Hardware
Call us today to get a quote at 800-467-3370
Or email us at Parts@smspowertrain.com

Clutch Settings



Bondioli Clutch Settings

FV42 Clutch (Wing Shafts) 1200 nm

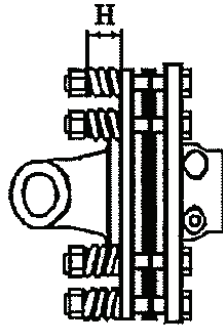
*The spring height L needs measured near each bolt
(18.5 mm or .71" with a tolerance + or - .4 mm)*

FV32 Clutch (Intermediate Shaft 1000 RPM) 900 nm

*The spring height L needs measured near each bolt
(18.0 mm or .71" with a tolerance + or - .4 mm)*

FT42 Clutch (Wing Shafts) 1200 nm

The band needs to touch then back off 1 mm to let moisture out.



Bondioli	FF2 Clutch (coil spring clutch) H = 27.5 mm or 1 3/32"	2 disks
Bondioli	FF3 Clutch (coil spring clutch) H = 28.5 mm or 1 1/8"	4 disks
Comer	F2 Clutch (coil spring clutch) H = 33.3 mm 1 11/32"	2 disks
Comer	F4 Clutch (coil spring clutch) H = 34.1 mm 1 5/16"	4 disks

SMS Power Train and Hardware
Call us today to get a quote at 800-467-3370
Or email us at Parts@smspowertrain.com

Clutch Lining Sizes

Lining Size Inside	Outside	Moore #	
3 13/16" 97 mm	6 5/16" 160 mm	247000061	Bondioli
3 13/16" 97 mm	6 5/16" 160 mm	MO31971	Eurocardan
3 3/8" 85 mm	6 3/8" 162 mm	247006351	Bondioli
3 3/8" 85 mm	5 1/2" 140 mm	247000054	Bondioli
3 5/8" 91 mm	5 15/16" 152 mm	MO1711	Comer/Walterscheid
3" 77 mm	5 9/16" 142 mm	247006251	Bondioli
3 7/8" 100 mm	7" 178 mm	MO581060003	Walterscheid
4" 102 mm	6 1/4" 158 mm	19459	Woods

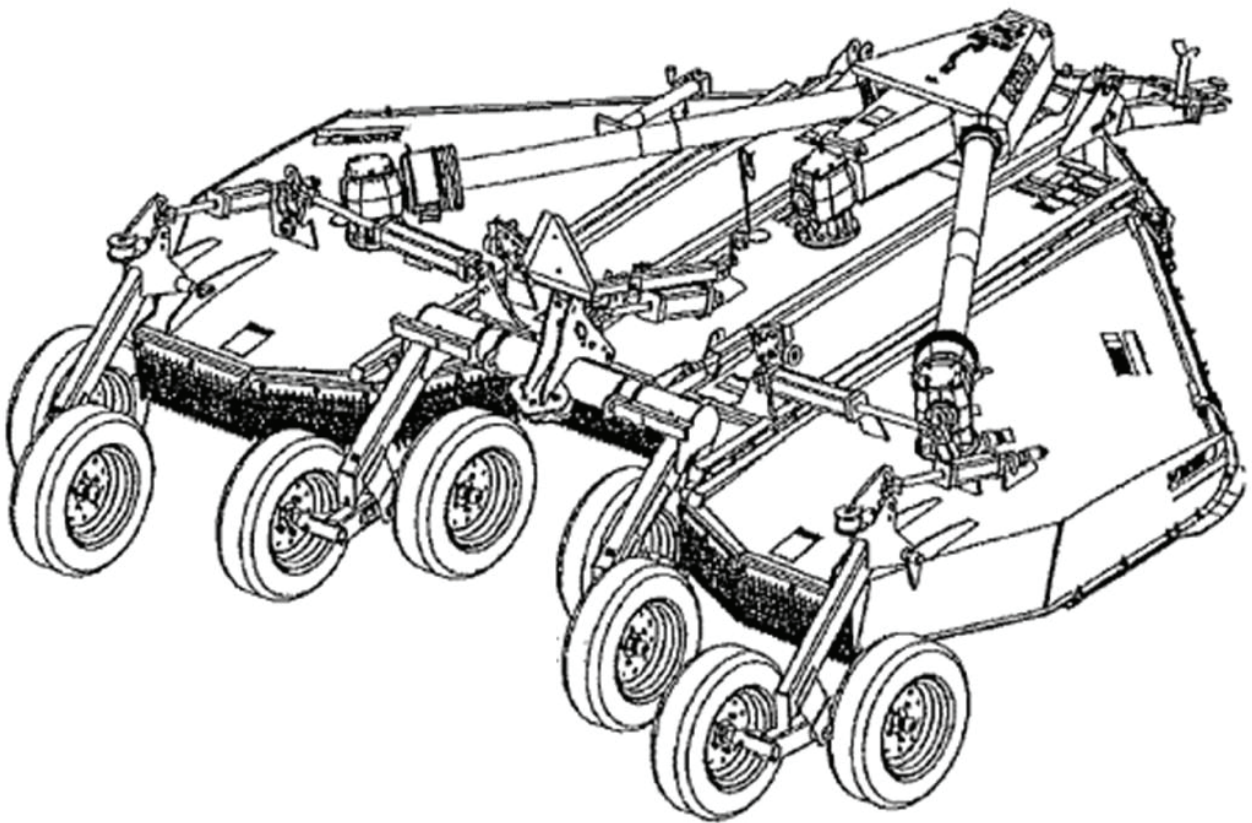
Manufactures Cross Reference

Manufacture	Part #	Moore #	
Alamo	00754202	MO1711	<i>Comer</i>
Alamo	8366	MO1711	<i>Walterscheid</i>
Schulte	341-631	247000061	<i>Bondioli</i>
Schulte	341-6247	247006351	<i>Bondioli</i>
Schulte	341-6228	247006251	<i>Bondioli</i>
Schulte	341-722	247000054	<i>Bondioli</i>
Schulte	341-3501	247000061	<i>Bondioli</i>
Schulte	341-6513	MO1711	<i>Eurogiunti</i>
Schulte	341-6547	247006251	<i>Eurogiunti</i>
Bush Whacker	1711	MO1711	<i>Comer</i>
Bush Whacker	3963	247006251	<i>Bondioli</i>
Bush Hog	91560	247000061	<i>Bondioli</i>
Bush Hog	91561	247000054	<i>Bondioli</i>
Bush Hog	76083	MO1711	<i>Comer</i>
Land Pride	1808010	MO31971	<i>Eurogiunti</i>
Land Pride	168556	MO1711	<i>Walterscheid</i>
Rhino	00754202	MO1711	<i>Comer</i>
Rhino	0581060003	MO581060003	<i>Walterscheid</i>
John Deere	W44285	247006251	<i>Bondioli</i>
John Deere	W34913	MO1711	<i>Walterscheid</i>
Woods	19459	19459	

SMS Power Train and Hardware
 Call us today to get a quote at 800-467-3370
 Or email us at Parts@smspowertrain.com

SCHULTE®

FX 315 Rotary Cutter Replacement Parts



SMS Power Train and Hardware
Call us today to get a quote 800-467-3370
Or email us at Parts@smspowertrain.com

SCHULTE

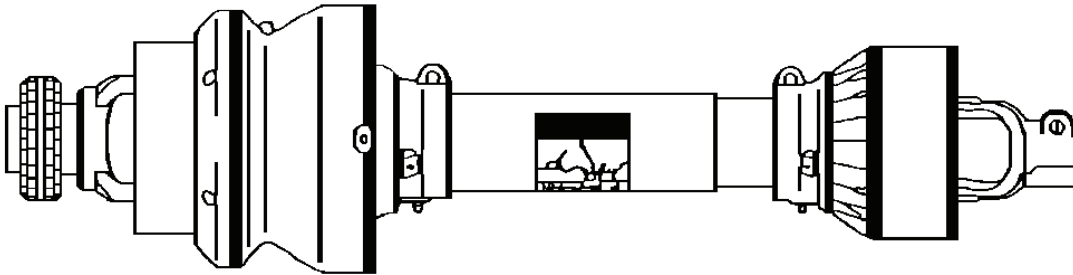
FX 315

This Page

Intentionally Blank

SMS Power Train and Hardware
Call us today to get a quote 800-467-3370
Or email us at Parts@smspowertrain.com

For SCHULTE® FX 315
CV MAIN DRIVESHAFT
TRACTOR TO MOWER CV REPLACEMENT DRIVESHAFT
540 RPM/1000 RPM



Part #

Description

MO3954

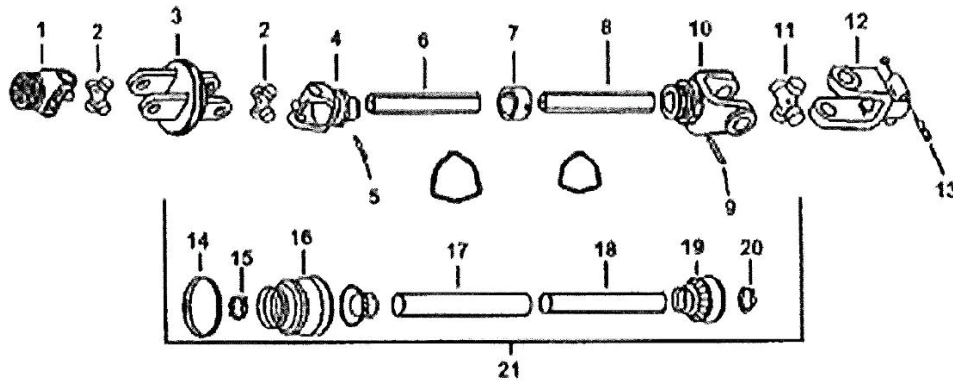
Complete Main Driveshaft-**CV** (Bondioli) **540 RPM**
1 3/8"-6 Spline Tractor- 1 3/4"-20 Spline Splitter Box **56"**
(Replaces Schulte's 4 lobe shaft)

MO3990

Complete Main Driveshaft-**CV** (Bondioli) **1000 RPM**
1 3/8"-21 Spline Tractor-1 3/4"-20 Spline Splitter Box **51.5"**

SMS Power Train and Hardware
Call us today to get a quote 800-467-3370
Or email us at Parts@smspowertrain.com

For SCHULTE® FX 315
CV MAIN DRIVESHAFT
Replacement Parts for MO3954 CV Driveshaft (Bondioli)
540 RPM Triangle Tubes
(One Piece “Accordion” Style CV Bell)



<u>Key</u>	<u>Part #</u>	<u>Description</u>
	MO3954	COMPLETE DRIVESHAFT
1	5730L0384	Tractor CV QD Yoke 1 3/8 – 6 Spline
2	4120L0051	Cross Kit CV (2)
3	5110L0063	CV Body
4	2150L6873	Outer Tube Yoke CV
5	341054000	Roll Pin Outer Yoke 12 x 90m
6	224320810	Outer Tube 32”
7	259006803	Grease Collar
8	245390820	Inner Tube RILSAN 32 1/4”
9	341055000	Roll Pin Inner Yoke 12 x 75m
10	204086888	Inner Tube Yoke
11	4120M0011	Cross Kit
12	5090M3860	Impl. Yoke – Taper Pin 1 3/4 - 20 Spline
13	408000076	Taper Pin
14	2550L0023	CV Shield Bearings
15	255080005	Outer Shield Bearings
16	517080200	CV Shield
17	236850738	Outer Shield Tube
18	2370084F4	Inner Shield Tube
19	517080120	Shield Cone
20	255080006	Inner Shield Bearing
21	MO5535	Complete CV Shield Kit

SMS Power Train and Hardware
 Call us today to get a quote 800-467-3370
 Or email us at Parts@smspowertrain.com

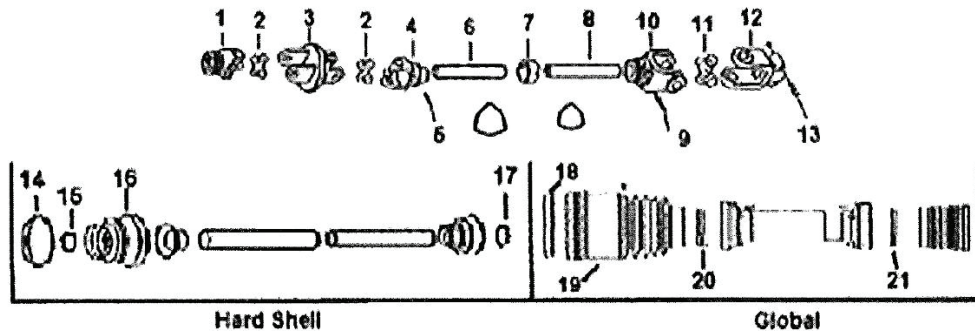
For SCHULTE® FX 315

CV DRIVESHAFT

Replacement Parts for MO3990 CV Driveshaft (Bondioli)

1000 RPM Triangle Tubes

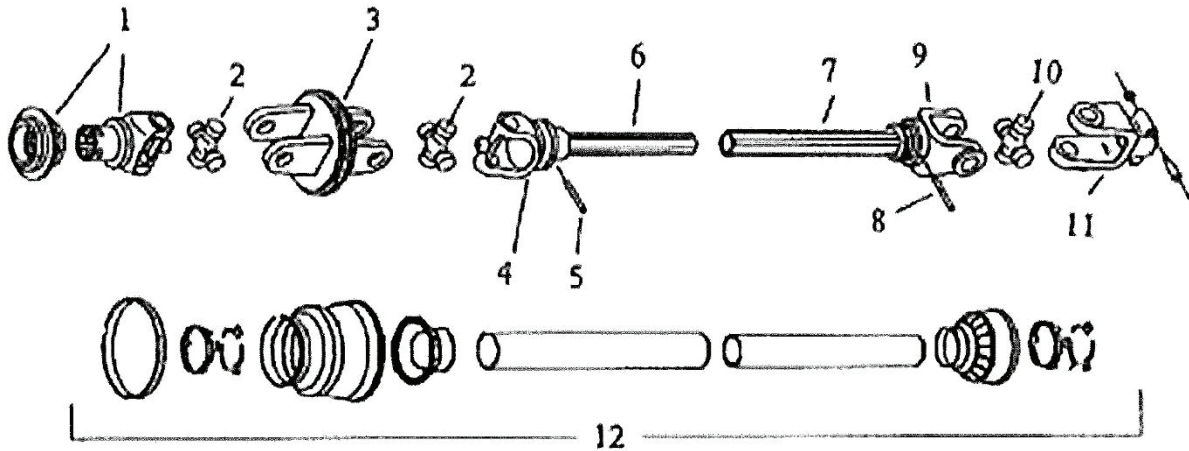
(One Piece “Accordion” Style CV Bell)



<u>Key</u>	<u>Part #</u>	<u>Description</u>
	MO3990	COMPLETE DRIVESHAFT
1	5730G3784	Tractor CV QD Yoke 1 3/8 – 21 Spline
2	4120G0051	Cross Kit CV (2)
3	5110G0061	CV Body
4	2150G6885	Outer Tube Yoke CV
5	341042000	Roll Pin Outer Yoke
6	225270840	Outer Tube
7	259006803	Grease Collar
8	245160840	Inner Tube RILSAN
9	341043000	Roll Pin Inner Yoke
10	204066852	Inner Tube Yoke
11	4120H0011	Cross Kit
12	5090H3860	Impl. Yoke – Taper Pin
13	408000076	Taper Pin
14	2550G0024	CV Shield Bearings
15	255060005	Outer Shield Bearings
16	2190G0150	CV Shield
17	255060006	Inner Shield Bearing
18	2550G0024	CV Shield Bearing (Global)
19	219051401	CV Shield (Global)
20	255071002	Outer Shield Bearing (Global)
21	255071001	Inner Shield Bearing (Global)
	MO5522	Complete CV Shield Kit (Hard Shell Shield Cones)
	MO5525	Complete CV Shield Kit (Global) Flexible Shield Cones

SMS Power Train and Hardware
 Call us today to get a quote 800-467-3370
 Or email us at Parts@smspowertrain.com

For SCHULTE® FX 315
CV DRIVESHAFT
Replacement CV Driveshaft & Parts
340-850 SFT (4 Lobe) S8
540 RPM

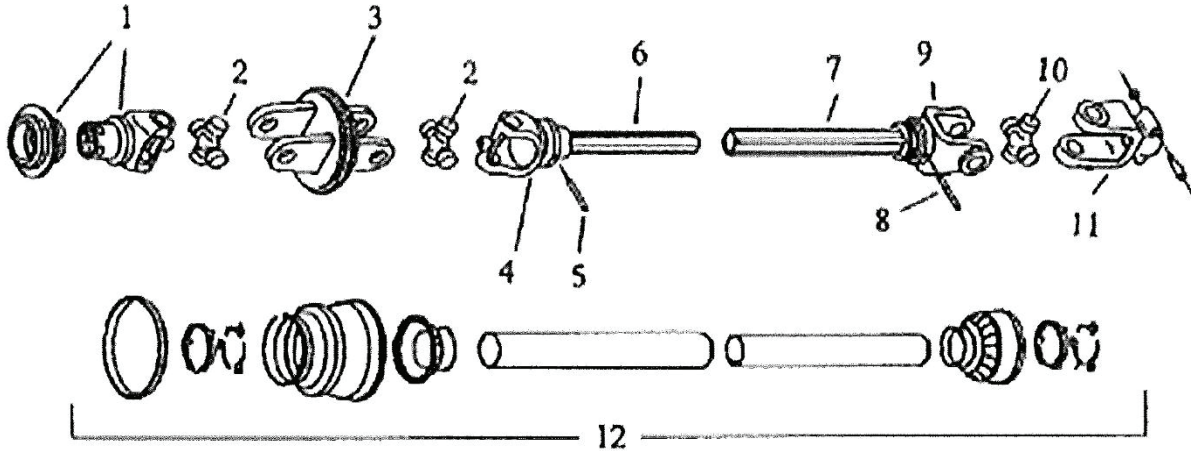


MO3954 COMPLETE REPLACEMENT CV DRIVE SHAFT 540 RPM

<u>Key</u>	<u>Part #</u>	<u>Description</u>
1	341-80046 5730L0384	Tractor CV QD Yoke 1 3/8 – 6 Spline
2	341-80047 4120L0051	Cross Kit CV (2)
3	341-80045 5110L0063	CV Body
4	341-80048 2150L6871	Yoke, Outer Tube
5	341-80074 341103000	Roll Pin
6	341-80055 237D03T58	Outer Cardan Tube
7	341-80056 2454D0850	Inner Cardan Tube
8	341-80007 341053000	Roll Pin
9	341-80008 204S86854	Yoke, Inner Tube
10	341-80002 4120L0012	Cross Kit
11	341-80070 5090L3860	Yoke, Impl. 1 3/4 - 20 Spline
12	341-80067 MO5085	CV Shield Kit

SMS Power Train and Hardware
 Call us today to get a quote 800-467-3370
 Or email us at Parts@smspowertrain.com

For SCHULTE® FX 315
CV DRIVESHAFT
Replacement CV Driveshaft & Parts
340-870 SFT (4 Lobe) H8
540 RPM

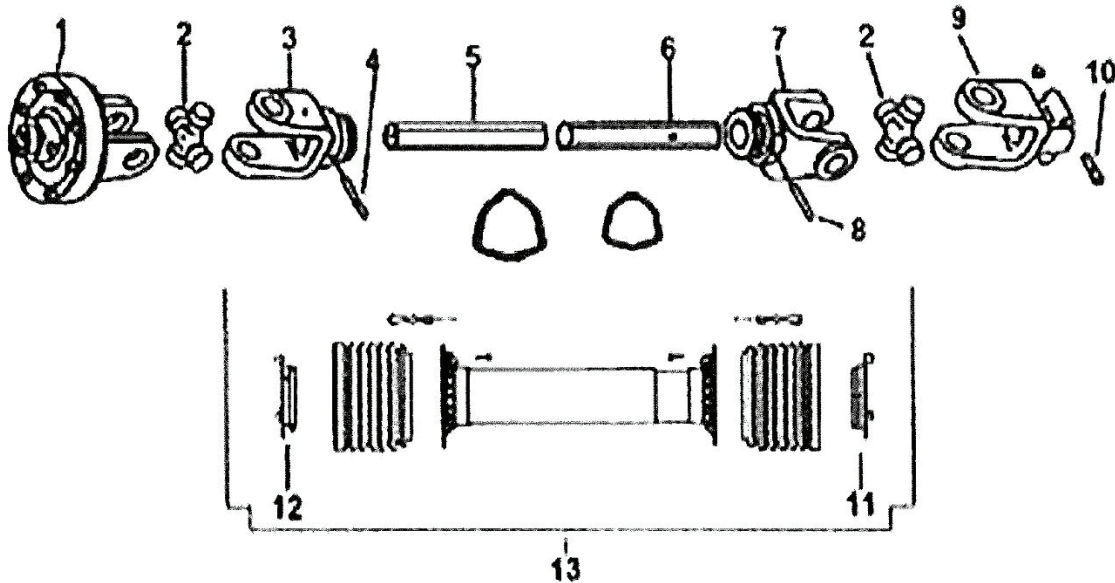


MO3954 COMPLETE REPLACEMENT CV DRIVE SHAFT 540 RPM

<u>Key</u>	<u>Part #</u>	<u>Description</u>
1	341-80046 5730L0384	Tractor CV QD Yoke 1 3/8 – 6 Spline
2	341-80047 4120L0051	Cross Kit CV (2)
3	341-80045 5110L0063	CV Body
4	341-80130 2150L6867	Yoke, Outer Tube H8
5	341-80074 341103000	Roll Pin
6	341-80131 237D03X21R	Outer Cardan Tube H8
7	341-80132 2453V0850R	Inner Cardan Tube H8
8	341-80007 341053000	Roll Pin
9	341-80076 2040L6866	Yoke, Inner Tube H8
10	341-80002 4120L0012	Cross Kit
11	341-80070 5090L3860	Yoke, Impl. 1 3/4 - 20 Spline
12	341-80067 MO5085	CV Shield Kit

SMS Power Train and Hardware
 Call us today to get a quote 800-467-3370
 Or email us at Parts@smspowertrain.com

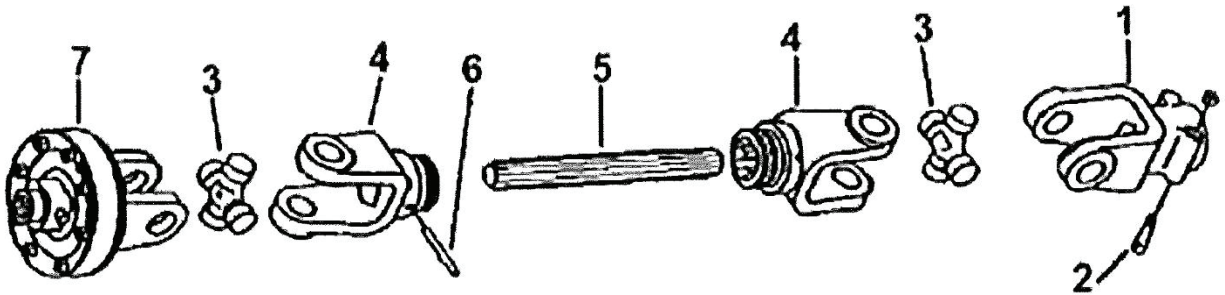
**For SCHULTE® FX 315
WING SHAFT W/CLUTCH
MO4900 (Bondioli) Replacement Wing Shaft & Parts
Triangle Drive Tubes**



<u>Key</u>	<u>Part #</u>	<u>Description</u>
	MO4900	COMPLETE WING SHAFT
1	MO9998	Complete Clutch Belleville Spring 1 3/4" – 20 spline
2	4120L0012	Cross Kit (2)
3	204176852	Inner Tube Yoke
4	341043000	Roll Pin Inner Tube Yoke
5	270181250	Inner Tube Heat Treated
6	225211240	Outer Tube
7	204176851	Outer Tube Yoke
8	341042000	Roll Pin Outer Tube Yoke
9	5090L3860	Impl. Yoke Taper Pin 1 3/4" – 20 spline
10	408000076	Taper Pin
11	255071002	Outer Shield Bearing
12	255071001	Inner Shield Bearing
13	MO4540	Complete Wing Shield Kit

SMS Power Train and Hardware
Call us today to get a quote 800-467-3370
Or email us at Parts@smspowertrain.com

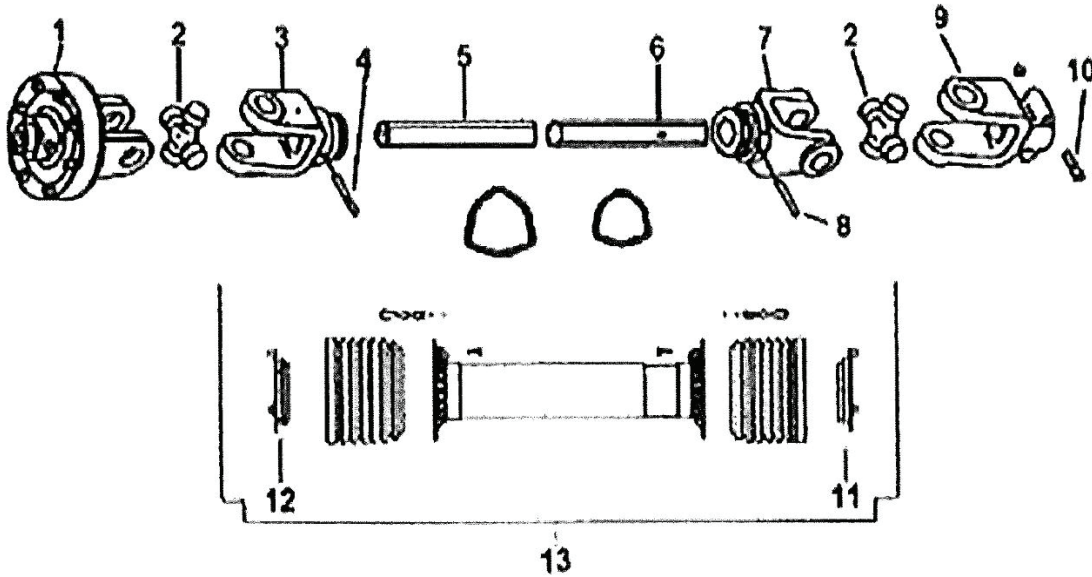
**For SCHULTE® FX 315
INTERMEDIATE SHAFT
MO340-866 Replacement Intermediate Shaft & Parts
540 RPM**



<u>Key</u>	<u>Part #</u>	<u>Description</u>	
	MO340-866	COMPLETE INTERMEDIATE ASSEMBLY	
1	5090L3860	Yoke 1 ¾ - 20 Spline	S8
2	40800076	Tapered Bolt	S8
3	4120L0012	Cross Kit (2)	S8
4	2040L3454	Splined Yoke (2)	S8
5	249270170	Splined Shaft	S8
6	345002000	Roll Pin	S8
7	MO9998	FV42 Clutch 1 ¾ - 20 Spline	

SMS Power Train and Hardware
Call us today to get a quote 800-467-3370
Or email us at Parts@smspowertrain.com

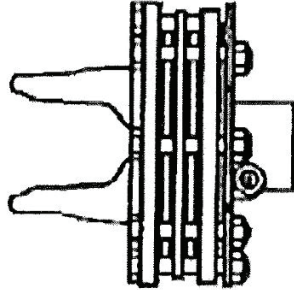
**For SCHULTE® FX 315
WING SHAFT W/CLUTCH
340-880 Wing Shaft
Replacement Wing Shaft & Parts**



<u>Key</u>	<u>Part #</u>		<u>Description</u>
	MO4900	COMPLETE	WING SHAFT
1	341-80176	MO9998	Complete Clutch Belleville Spring 1 3/4" – 20 Spline
2	341-80002	4120L0012	Corss Kit (2)
3	341-80180	204176852	Inner Tube Yoke
4	341-616	341043000	Roll Pin Inner Tube Yoke
5	341-80179	270181250	Inner Tube Heat Treated
6	341-80178	225211240	Outer Tube
7	341-80177	204176851	Outer Tube Yoke
8	341-80004	341042000	Roll Pin Outer Tube Yoke
9	341-80070	5090L3860	Impl. Yoke Taper Pin 1 3/4" – 20 Spline
10	341-802	408000076	Taper Pin
11	341-80182	255071002	Outer Shield Bearing
12	341-80185	255071001	Inner Shield Bearing
13	341-80175	MO4540	Complete Wing Shield Kit

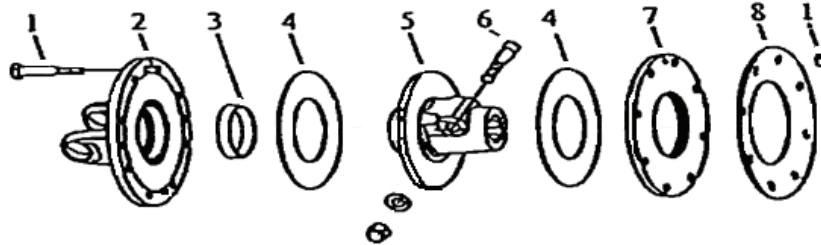
SMS Power Train and Hardware
Call us today to get a quote 800-467-3370
Or email us at Parts@smspowertrain.com

**For SCHULTE® FX 315
FV42 CLUTCH
341-80176 Slip Clutch
Replacement Slip Clutch & Parts
(Belleville Spring)**



<u>Part #</u>	<u>Description</u>
341-80176	FV42 Complete Clutch S8 1 3/4" - 20 spline

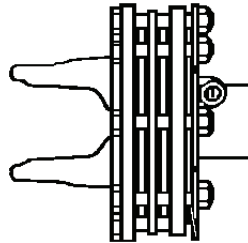
FV42 S8 Clutch Parts



<u>Key</u>	<u>Part #</u>	<u>Description</u>	<u>Qty. Used</u>
1	341-8011	432000008 Bolt w/lock nut	8
2	341-80123	253078702 Flange yoke	1
3	341-630	258005320 Bushing	1
4	341-6247	247006351 Lining 3 3/8" ID x 6 3/8" OD	2
5	341-6280	515873805 Hub 13/4" 20 spline	1
6	341-802	408000076 Taper bolt	1
7	341-80173	248870007 Inner plate	1
8	341-80174	367FT420D Belleville spring	1

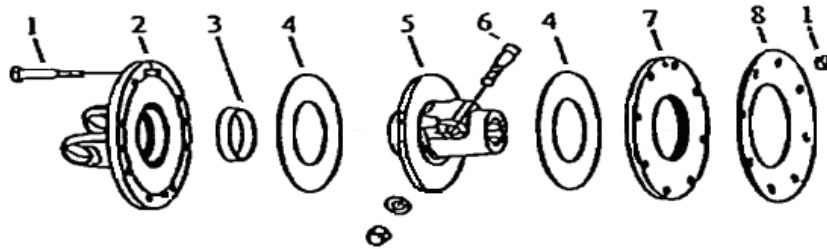
SMS Power Train and Hardware
Call us today to get a quote 800-467-3370
Or email us at Parts@smspowertrain.com

**For SCHULTE® FX 315
FV42 CLUTCH
MO9998 Replacement Slip Clutch & Parts
(Belleville Spring)**



<u>Part #</u>	<u>Description</u>
MO9998	FV42 Complete Clutch S8 1 3/4" - 20 spline

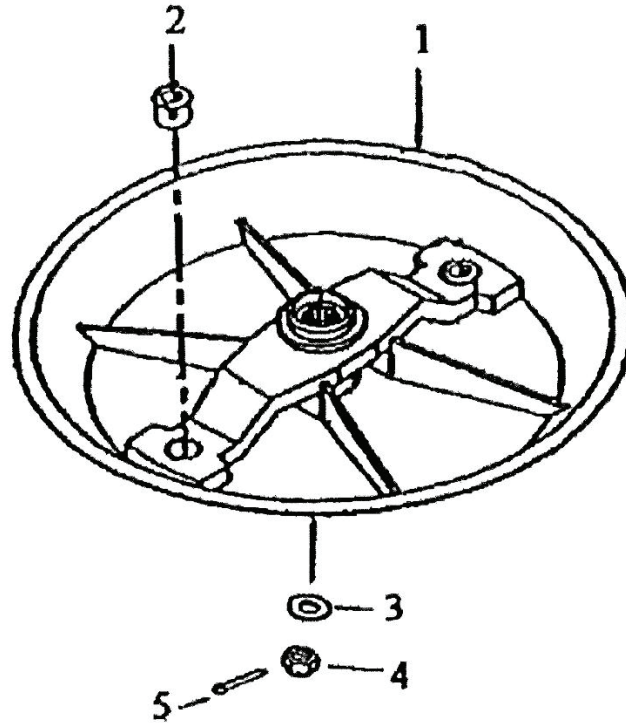
FV42 S8 Clutch Parts



<u>Key</u>	<u>Part #</u>	<u>Description</u>	<u>Qty. Used</u>
1	432000008	Bolt w lock nut	8
2	253078702	Flange yoke	1
3	258005320	Bushing	1
4	247006351	Lining 3 3/8 ID x 6 3/8" OD	2
5	515873805	Hub 1 3/4" - 20 spline	1
6	408000076	Taper bolt	1
7	248870007	Inner plate	1
8	367FT420D	Belleville spring	1

SMS Power Train and Hardware
Call us today to get a quote 800-467-3370
Or email us at Parts@smspowertrain.com

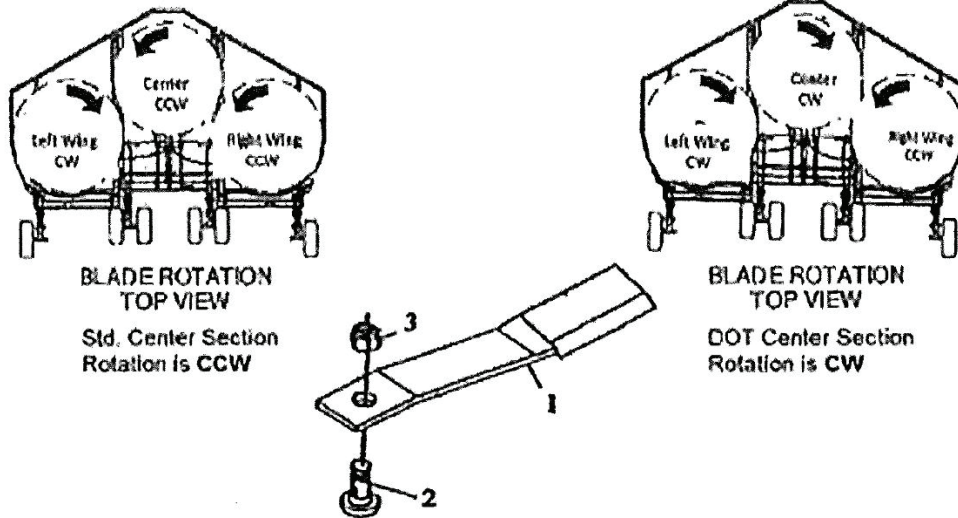
**For SCHULTE® FX 315
BLADE PAN
Replacement Blade Pans & Parts
(Pentagon Blade Bolts)**



<u>Key</u>	<u>Part #</u>	<u>Description</u>
1	MOC303-229	Blade Carrier (Center)
	MOC303-228	Blade Carrier (Wing)
2	251-020	Bushing (Pentagon)
3	367001002	Washer (331-880)
4	330036001	Nut (331-79)
5	MO190250	Cotter Key

SMS Power Train and Hardware
Call us today to get a quote 800-467-3370
Or email us at Parts@smspowertrain.com

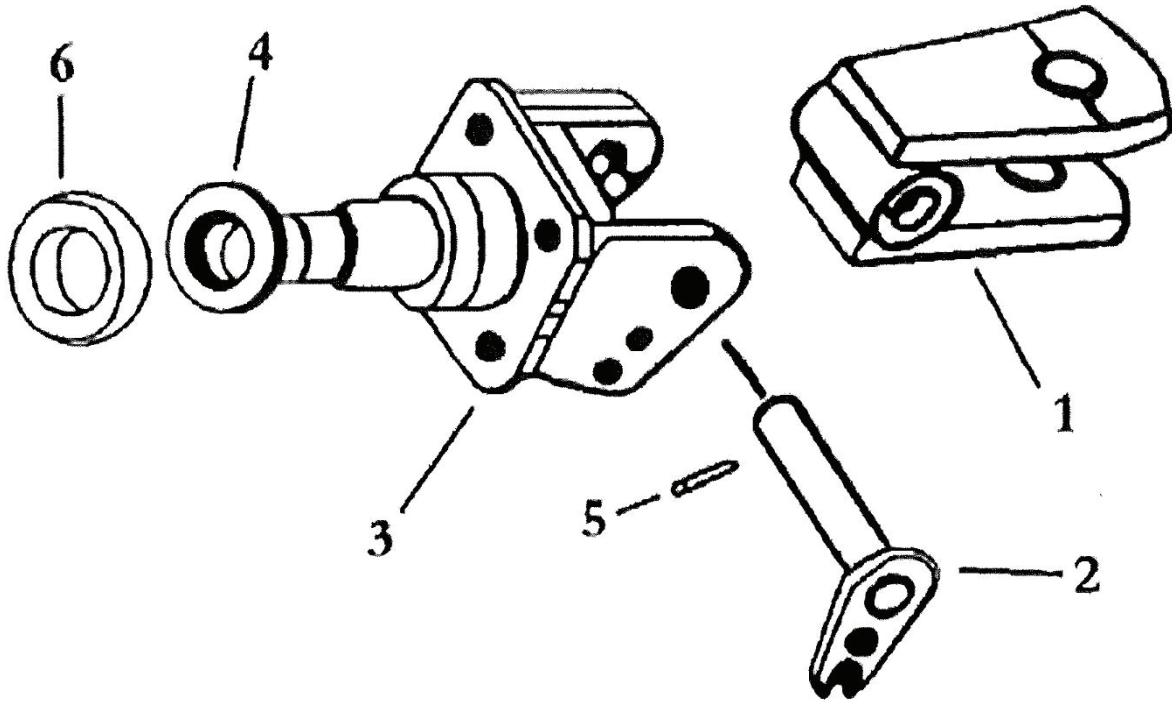
For SCHULTE® FX 315
BLADES
Replacement Rotary Cutter Blades & Parts



<u>Key</u>	<u>Part #</u>	<u>Description</u>	<u>Set Qty.</u>
4" Blades			
1	MO401-046	Blade CW Left Wing DOT & Std. (Updraft)	2
	MO401-047	Blade CCW Right Wing DOT & Std. (Updraft)	2
	MO401-052	Blade CW Center DOT (Updraft)	2
	MO401-048	Blade CCW Center Std. (Updraft)	2
4" Suction Blades			
	MO401-026	Blade CW Left Wing DOT & Std.	2
	MO401-027	Blade CCW Right Wing DOT & Std.	2
	MO401-032	Blade CW Center DOT	2
	MO401-028	Blade CCW Center Std.	2
5" Suction Blades			
	MO401-526	Blade CW Left Wing DOT & Std.	2
	MO401-527	Blade CCW Right Wing DOT & Std.	2
	MO401-532	Blade CW Center DOT	2
2	MO251-018	Bolt (Pentagon)	6
3	MO257-003	Lock Nut	6
	MO251-201	Bolt & Nut Kit	

SMS Power Train and Hardware
 Call us today to get a quote 800-467-3370
 Or email us at Parts@smspowertrain.com

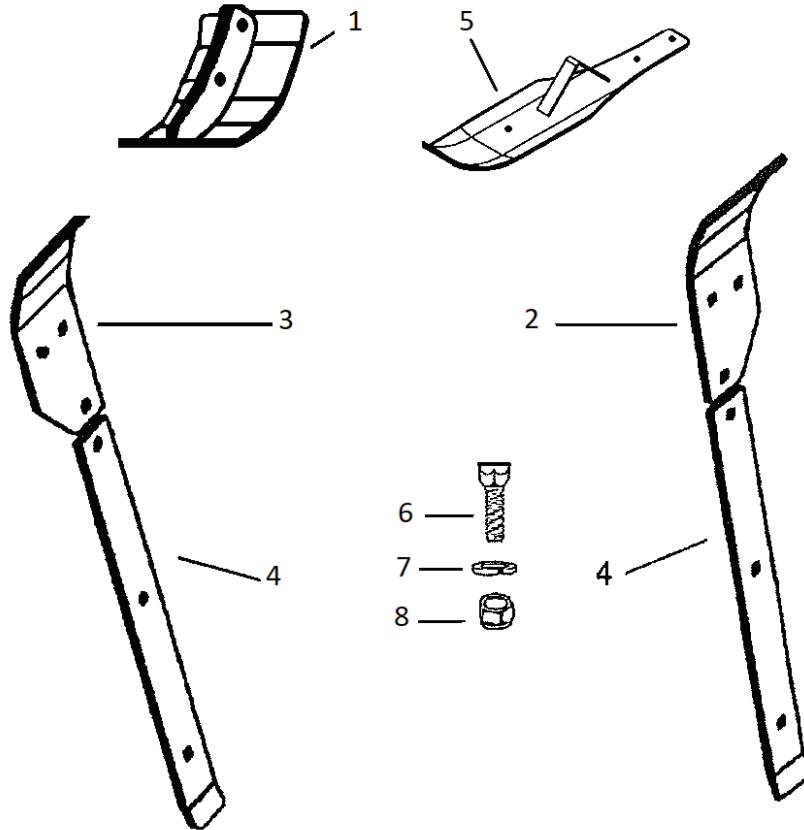
**For SCHULTE® FX 315
HITCH
Replacement Clevis Hitch & Parts**



<u>Key</u>	<u>Part #</u>	<u>Description</u>
1	MOCS01-106	Hitch Clevis
2	MOCS01-134	Clevis Pin
3	MOCS01-109	Hitch Swivel
4	MO256-055	Machine Bushing
5	MO262-006	Roll Pin 3/8" x 2"
6	MO362-012	Bushing

SMS Power Train and Hardware
Call us today to get a quote 800-467-3370
Or email us at Parts@smspowertrain.com

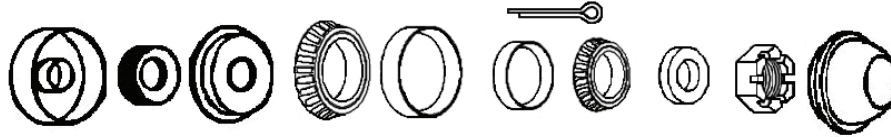
**For SCHULTE® FX 315
SKID SHOES
Replacement Skid Shoes & Parts**



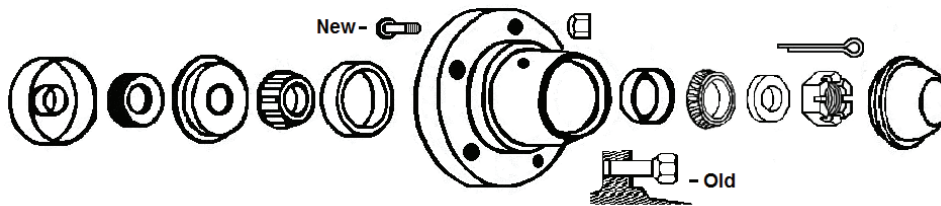
<u>Key</u>	<u>Part #</u>	<u>Description</u>	<u>Qty. Used</u>
1	MOC306-137	Skid Shoe, Center Section	2
	MO63225	Bolt	2
	MO63CC	Lock Nut	2
2	MOC502-136	Skid Shoe, Front Right Wing	1
3	MOC502-137	Skid Shoe, Front Left Wing	1
4	MOC306-136	Skid Shoe, Rear Wing	2
5	C316-138	FX 315 Skid Ski	2
6	MO50150PL	Bolt	12
7	MO5100	Washer	12
8	MO50CZ	Lock Nut	12

SMS Power Train and Hardware
Call us today to get a quote 800-467-3370
Or email us at Parts@smspowertrain.com

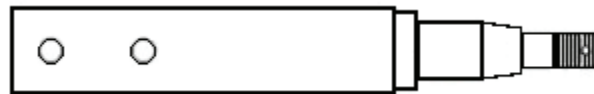
**For SCHULTE® FX 315
WING ONLY
Replacement Wheel Bearings, Hubs, Spindles & Parts**



<u>Part #</u>	<u>Description</u>
MO4925	Wheel Bearing Kit Consists of:
207-015C	Inside Bearing Cup & Cone
207-019C	Outside Bearing Cup & Cone
	Cotter Key 3/16 X 1 1/2"
MO207-065	Seal Kit (207-063; 207-062; 207-064)
207-022	Hub Cap
803-029C	Nut
804-055C	Washer



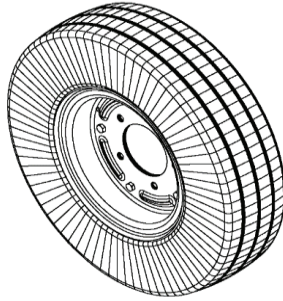
<u>Part #</u>	<u>Description</u>
MO206-013	Wheel Hub Complete with Bearings (5 Hole)
MO207-043	Stud Bolt w/Nut (New)
MO207-028	Wheel Bolt (Old)



<u>Part #</u>	<u>Description</u>
MO208-034	Spindle Removable (Main Frame & Wing) (2011-2014) 10 1/8"
MO50325G8	Grade 8 Bolt
MO50CZ	Lock Nut

SMS Power Train and Hardware
Call us today to get a quote 800-467-3370
Or email us at Parts@smspowertrain.com

**For SCHULTE® FX 315
WHEELS & TIRES
Replacement Wheels, Tires & Parts**



<u>Part #</u>	<u>Description</u>
MO525BH	Laminated Wheel 26" Wing

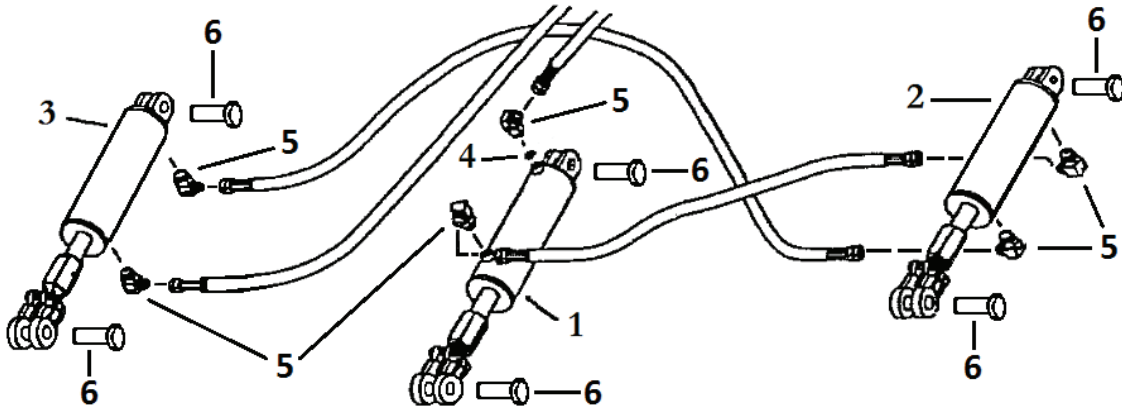
Main Frame Only



<u>Part #</u>	<u>Description</u>
MO210-514	Tire w/Rim Assembly Main Frame
MO210-514T	Tire Main Frame
207-087	Hub Cap

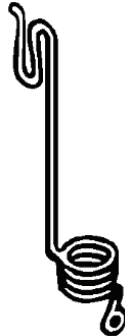
SMS Power Train and Hardware
Call us today to get a quote 800-467-3370
Or email us at Parts@smspowertrain.com

**For SCHULTE® FX 315
CYLINDERS
Replacement Phasing Cylinder & Parts**



<u>Key</u>	<u>Part #</u>	<u>Description</u>
1	MO100-3675	Main Frame Cylinder
2	MO100-3682	Right Wing Cylinder
3	MO100-3692	Left Wing Cylinder
4	MOC000-006	Resistor
5	MO108-069	Elbow 90* (6)
6	MO302-015	Cylinder Pin (6)

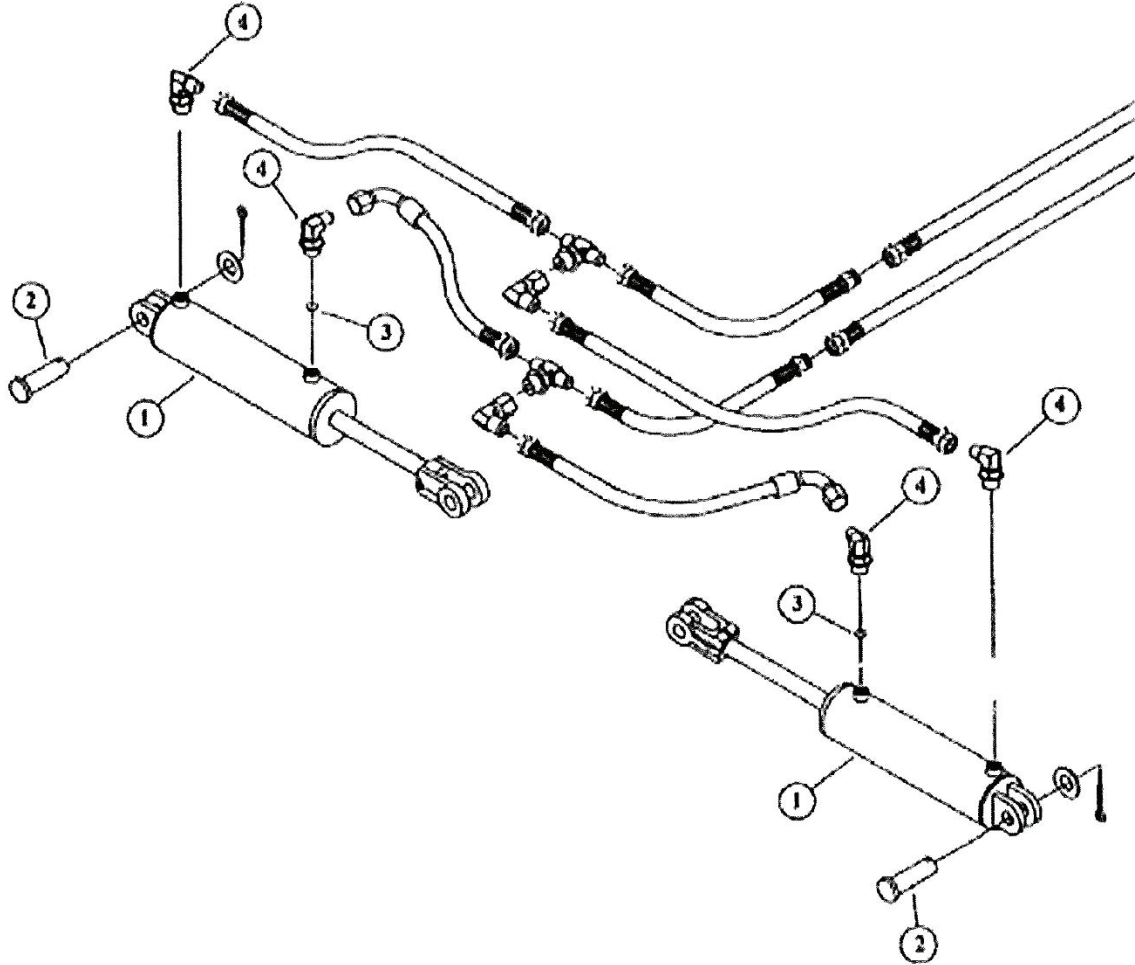
Hose Organizers



<u>Part #</u>	<u>Description</u>
MO228-012	Center Hose Organizer 20"
228-013	Front Center Hose Organizer 33" (2013 & Newer)

SMS Power Train and Hardware
Call us today to get a quote 800-467-3370
Or email us at Parts@smspowertrain.com

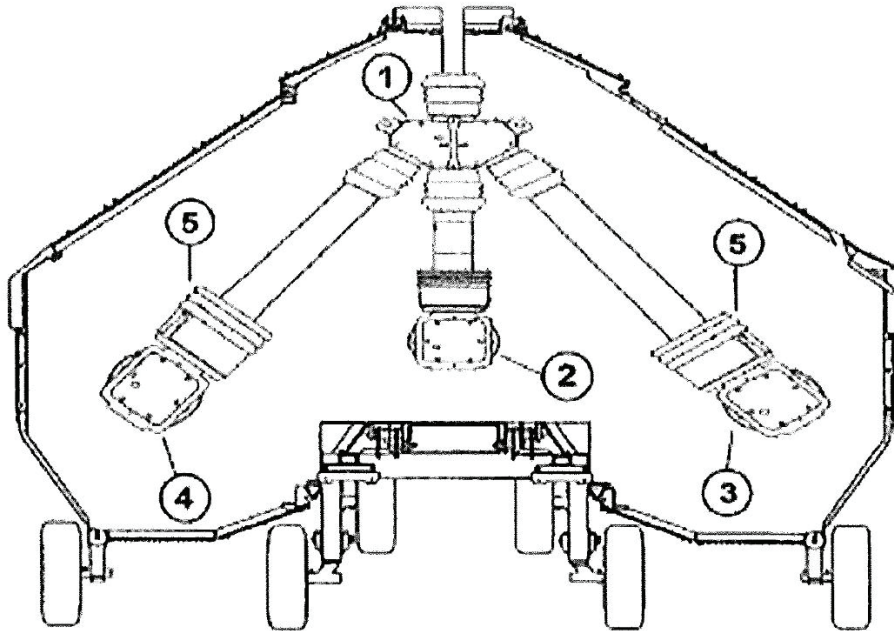
**For SCHULTE® FX 315
CYLINDERS
Replacement Wing Lift Cylinders & Parts**



<u>Key</u>	<u>Part #</u>	<u>Description</u>
1	MO100-3740	Wing Lift Cylinder (2)
2	MO302-015	Cylinder Pin (2)
3	MOC000-006	Resistor (2)
4	MO108-069	Elbow 90* (2)

SMS Power Train and Hardware
Call us today to get a quote 800-467-3370
Or email us at Parts@smspowertrain.com

For SCHULTE® FX 315
GEAR CASES
Replacement Gear Cases 540 RPM & 1000 RPM



540 RPM
Description

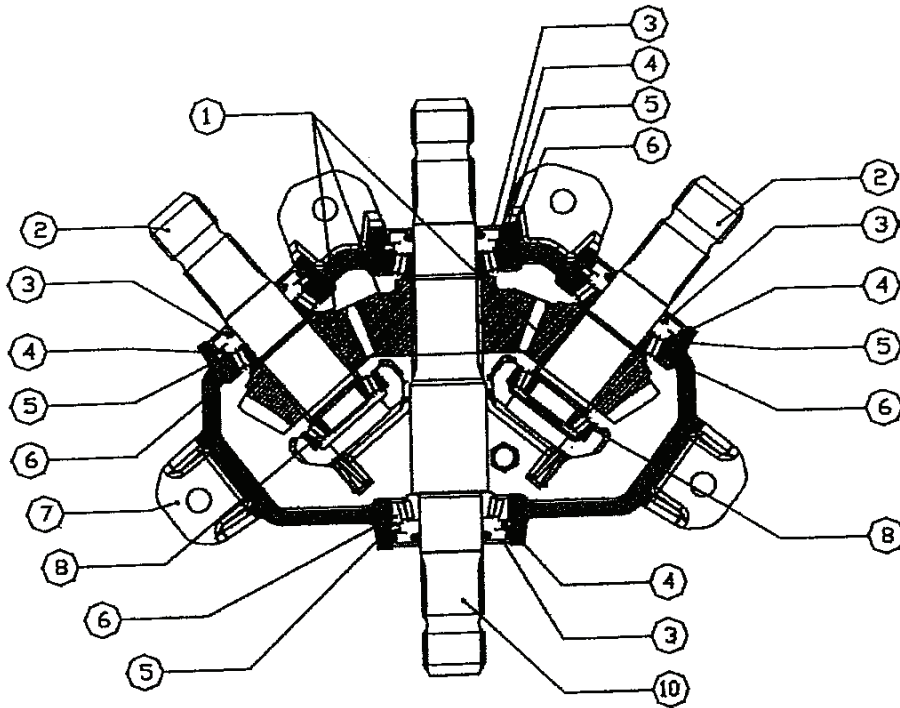
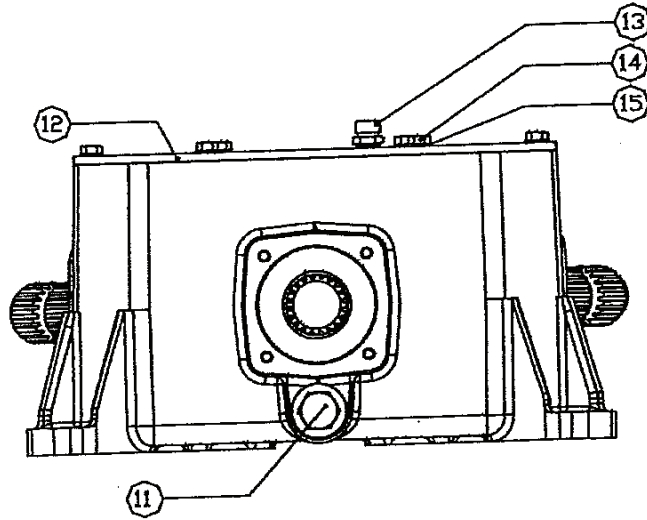
<u>Key</u>	<u>Part #</u>	<u>Description</u>
1	330-934	Divider Gear Case (540 RPM)
2	330-863	Center Gear Case CW DOT (540 RPM)
	330-862	Center Gear Case CCW (540 RPM)
3	330-861	Right Wing Gear Case CCW (540 RPM)
4	330-860	Left Wing Gear Case CW (540 RPM)
5	395002125CE	Shield Cone (540 RPM)

1000 RPM
Description

<u>Key</u>	<u>Part #</u>	<u>Description</u>
1	330-935	Divider Gear Case (1000 RPM)
2	330-865	Center Gear Case CW DOT (1000 RPM)
	330-864	Center Gear Case CCW (1000 RPM)
3	330-861	Right Wing Gear Case CCW (1000 RPM)
4	330-860	Left Wing Gear Case CW (1000 RPM)
5	395002125CE	Shield Cone (540 RPM)

SMS Power Train and Hardware
 Call us today to get a quote 800-467-3370
 Or email us at Parts@smspowertrain.com

**For SCHULTE® FX 315
GEAR CASE
Replacement Gear Case & Parts
330-934 & 330-935 Gear Case
540 RPM & 1000 RPM**



SMS Power Train and Hardware
Call us today to get a quote 800-467-3370
Or email us at Parts@smspowertrain.com

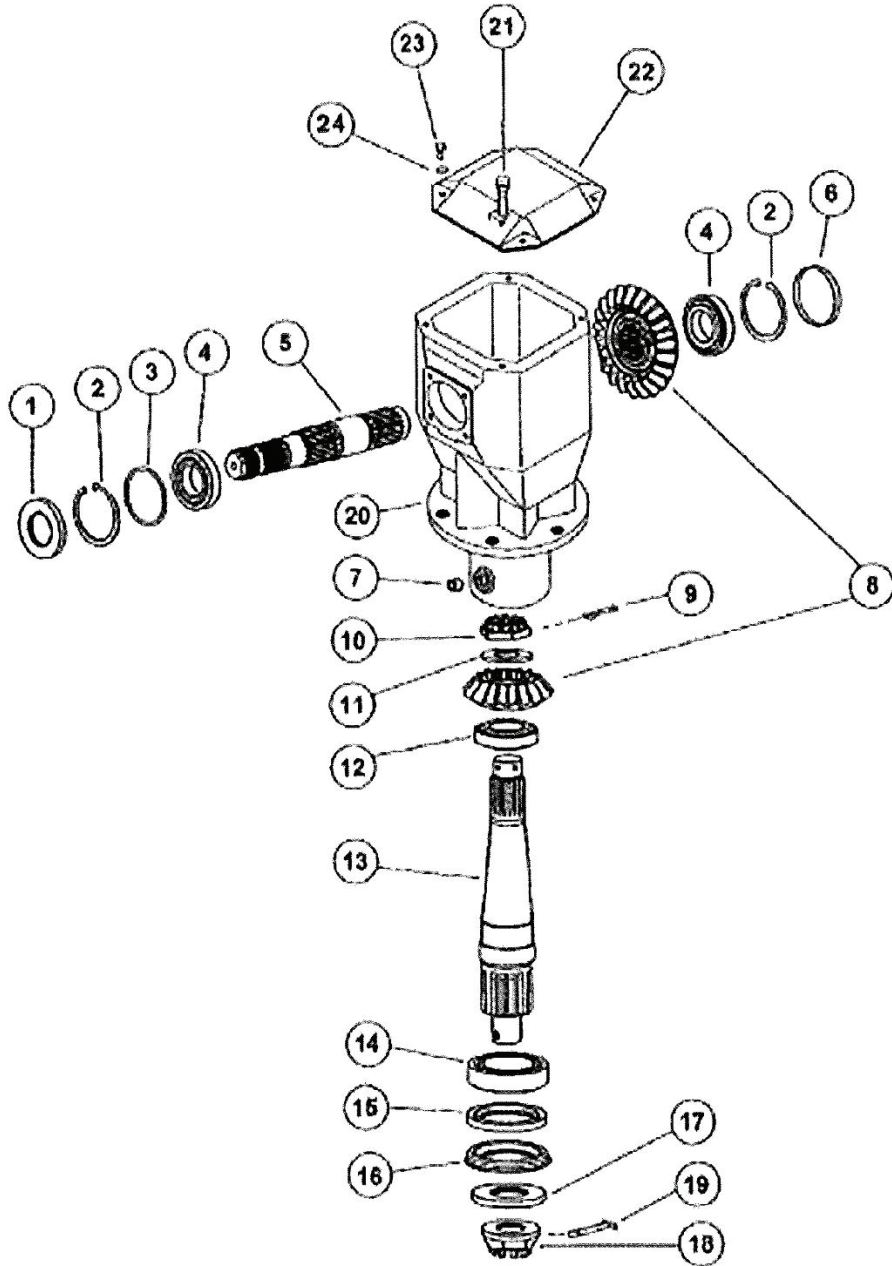
**For SCHULTE® FX 315
GEAR CASE
Replacement Gear Case & Parts
330-934 Case 540 RPM & 330-935 Case 1000 RPM**

**330-934 COMPLETE CASE 540 RPM
330-935 COMPLETE CASE 1000 RPM**

<u>Key</u>	<u>Schulte #</u>	<u>Bondioli</u>	<u>Description</u>	<u>Qty. Used</u>
1	331-980		Gear Set 540 RPM	1
	331-985		Gear Set 1000 RPM	1
2	331-981		Pinion Shaft 1 3/4 z 20	2
3	331-9019	MO70190	Seal	4
4	331-552	339001085	Snap Ring	4
5	331-982	340I08500	Shim	1
6	331-564	MO331-564	Bearing	4
7	331-983		Housing	1
8	331-713	MO331-713	Bearing	2
10	331-984		Input Shaft	1
11	331-986		Magnetic Plug	1
12	331-987		Cover	1
13	331-988	373052000	Breather Dipstick	1
14	331-989		Bolt 10mm x 22mm	6
15	331-990		Washer	6

SMS Power Train and Hardware
Call us today to get a quote 800-467-3370
Or email us at Parts@smspowertrain.com

For SCHULTE® FX 315
GEAR CASE
Replacement CW Center Gear Case & Parts
330-863 CW Center (DOT)
540 RPM



SMS Power Train and Hardware
Call us today to get a quote 800-467-3370
Or email us at Parts@smspowertrain.com

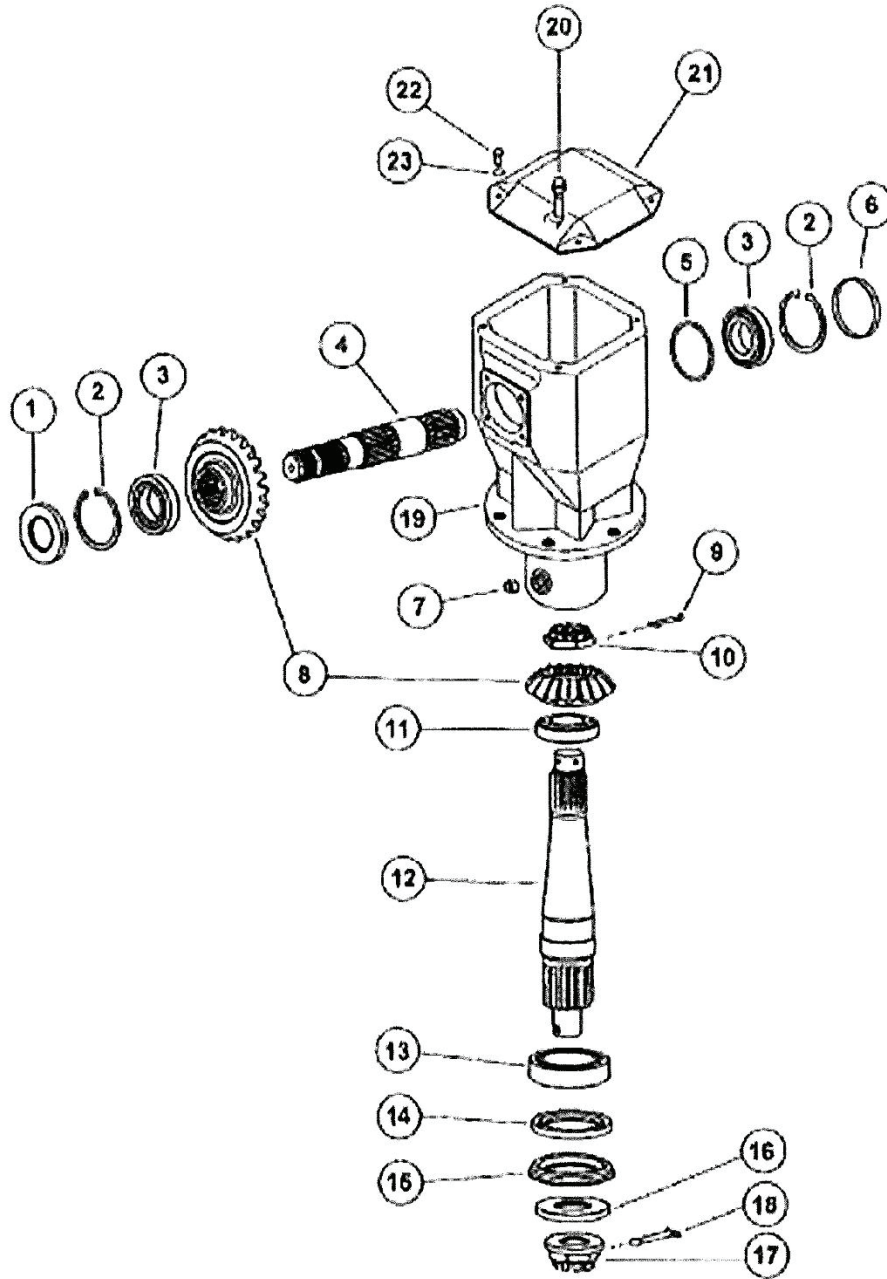
**For SCHULTE® FX 315
GEAR CASE
Replacement CW Center Gear Case & Parts
330-863 CW Center (DOT)
540 RPM**

330-863 COMPLETE CENTER GEAR CASE (CW)

<u>Key</u>	<u>Schulte #</u>	<u>Bondioli #</u>	<u>Description</u>
1	331-9019	MO70190	Seal
2	331-552	339001085	Snap Ring
3	331-982	340I08500	Shims
4	331-564	MO331-564	Tapered Bearing
5	331-8035	295384040	Input Shaft
6	331-559	372006000	Seal Cap
7	331-8040		Magnetic Plug
8	331-8038	448157700	Gear Set 1:1.57
9	331-812	MO190250	Cotter Pin
10	331-8043	298204200	Castle Nut
11	331-8047		Spacer
12	331-7012	MO331-7012	Tapered Bearing
13	331-8039	295404213	Pinion Shaft
14	331-7114	MO331-7114	Tapered Bearing
15	331-8045	MO331-8045	Seal
16	331-8046	298611006	Sealing Lid
17	331-880	367001002	Spring Washer
18	331-879	330036001	Castle Nut
19	331-878	MO190300	Cotter Pin
20	331-8044		Housing
21	331-8041	373030000	Breather Dipstick
22	331-8042		Cover
23	250-017	MO3875	Bolt 3/8" x 3/4" UNC
24	331-8034	MO3800	Washer

SMS Power Train and Hardware
Call us today to get a quote 800-467-3370
Or email us at Parts@smspowertrain.com

For SCHULTE® FX 315
GEAR CASE
Replacement CCW Center Gear Case & Parts
330-862 CW Center (DOT)
540 RPM



SMS Power Train and Hardware
Call us today to get a quote 800-467-3370
Or email us at Parts@smspowertrain.com

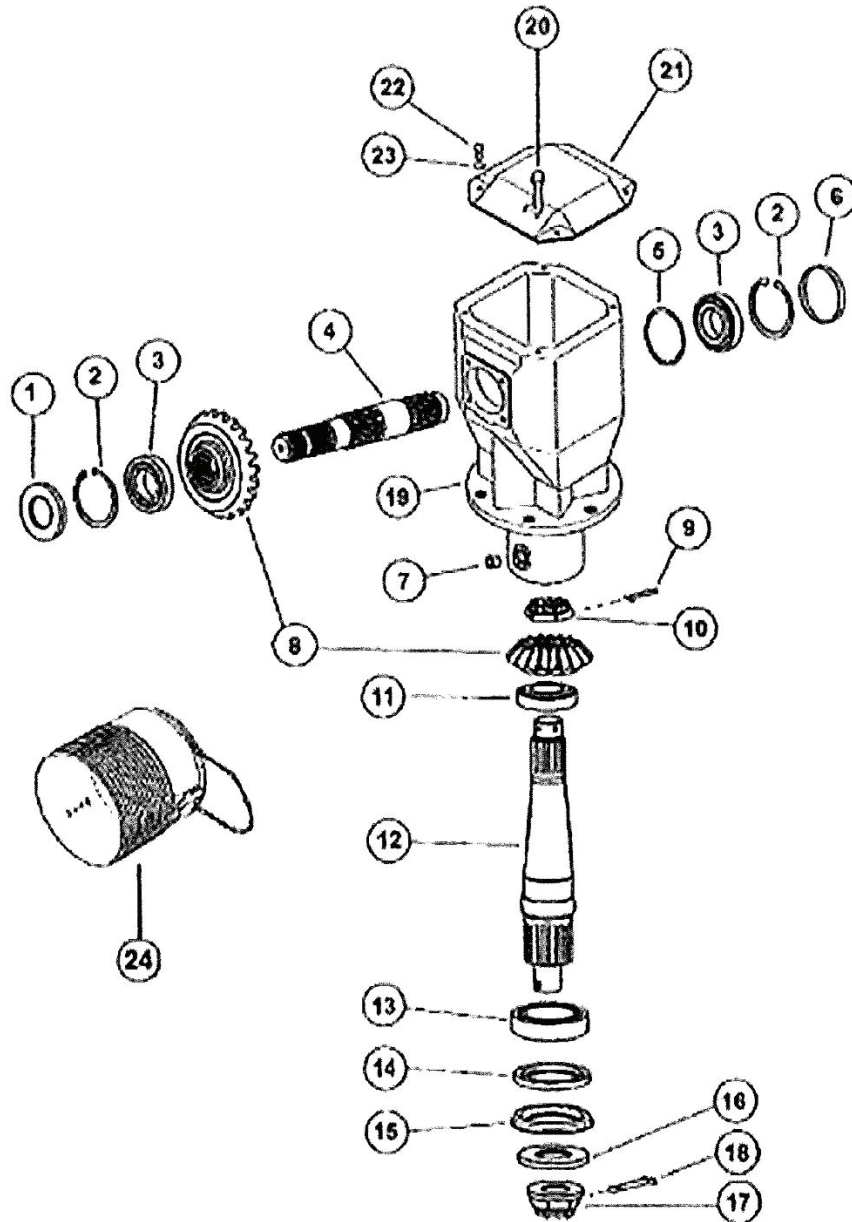
**For SCHULTE® FX 315
GEAR CASE
Replacement CCW Center Gear Case & Parts
330-862 CW Center (DOT)
540 RPM**

330-862 COMPLETE CENTER GEAR CASE (CW)

<u>Key</u>	<u>Schulte #</u>	<u>Bondioli #</u>	<u>Description</u>
1	331-9019	MO70190	Seal
2	331-552	339001085	Snap Ring
3	331-564	MO331-564	Tapered Bearing
4	331-8035	295384040	Input Shaft
5	331-982	340I08500	Shims
6	331-559	372006000	Seal Cap
7	331-8040		Magnetic Plug
8	331-8038	448157700	Gear Set 1:1.57
9	331-812	MO190250	Cotter Pin
10	331-8043	298204200	Castle Nut
11	331-7012	MO331-7012	Tapered Bearing
12	331-8039	295404213	Pinion Shaft
13	331-7114	MO331-7114	Tapered Bearing
14	331-8045	MO331-8045	Seal
15	331-8046	298611006	Sealing Lid
16	331-880	367001002	Spring Washer
17	331-879	330036001	Castle Nut
18	331-878	MO190300	Cotter Pin
19	331-8044		Housing
20	331-8041	373030000	Breather Dipstick
21	331-8042		Cover
22	250-017	MO3875	Bolt 3/8" x 3/4" UNC
23	331-8034	MO3800	Washer

SMS Power Train and Hardware
Call us today to get a quote 800-467-3370
Or email us at Parts@smspowertrain.com

For SCHULTE® FX 315
GEAR CASE
Replacement Left Wing Gear Case & Parts
330-860 CW Left Wing
540 or 1000 RPM



SMS Power Train and Hardware
Call us today to get a quote 800-467-3370
Or email us at Parts@smspowertrain.com

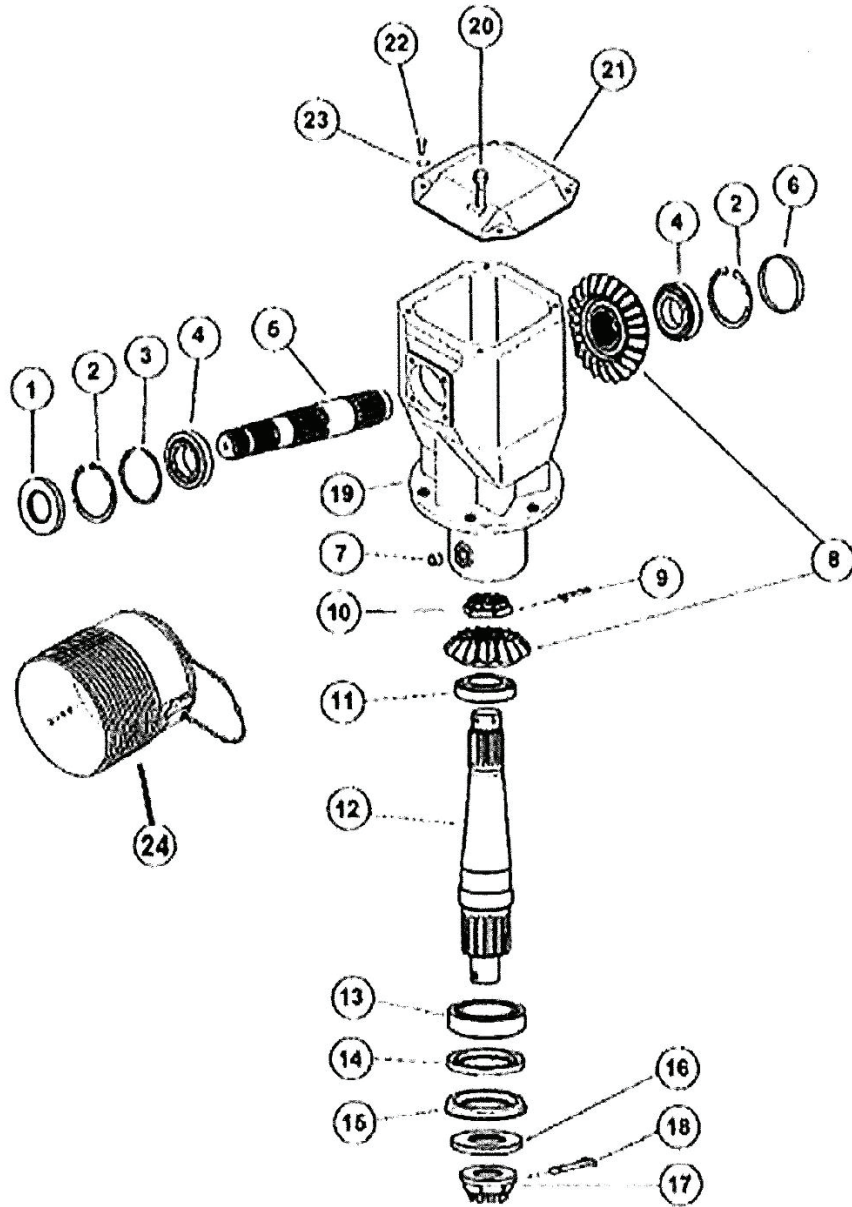
**For SCHULTE® FX 315
GEAR CASE
Replacement Left Wing Gear Case & Parts
330-860 CW Left Wing
540 or 1000 RPM**

330-860 COMPLETE CENTER GEAR CASE (CW)

<u>Key</u>	<u>Schulte #</u>	<u>Bondioli #</u>	<u>Description</u>
1	331-9019	MO70190	Seal
2	331-552	339001085	Snap Ring
3	331-564	MO331-564	Tapered Bearing
4	331-8035	295384040	Input Shaft
5	331-982	340I08500	Shims
6	331-559	372006000	Seal Cap
7	331-8040		Magnetic Plug
8	331-8036	44135704	Gear Set 1:1.35
9	331-812	MO190250	Cotter Pin
10	331-8043	298204200	Castle Nut
11	331-7012	MO331-7012	Tapered Bearing
12	331-8039	295404213	Pinion Shaft
13	331-7114	MO331-7114	Tapered Bearing
14	331-8045	MO331-8045	Seal
15	331-8046	298611006	Sealing Lid
16	331-880	367001002	Spring Washer
17	331-879	330036001	Castle Nut
18	331-878	MO190300	Cotter Pin
19	331-8044		Housing
20	331-8041	373030000	Breather Dipstick
21	331-8042		Cover
22	250-017	MO3875	Bolt 3/8" x 3/4" UNC
23	331-8034	MO3800	Washer
24	341-6242	395002540CE	SFT Shield Cone

SMS Power Train and Hardware
Call us today to get a quote 800-467-3370
Or email us at Parts@smspowertrain.com

For SCHULTE® FX 315
GEAR CASE
Replacement Right Wing Gear Case & Parts
330-861 CCW Right Wing
540 or 1000 RPM



SMS Power Train and Hardware
Call us today to get a quote 800-467-3370
Or email us at Parts@smspowertrain.com

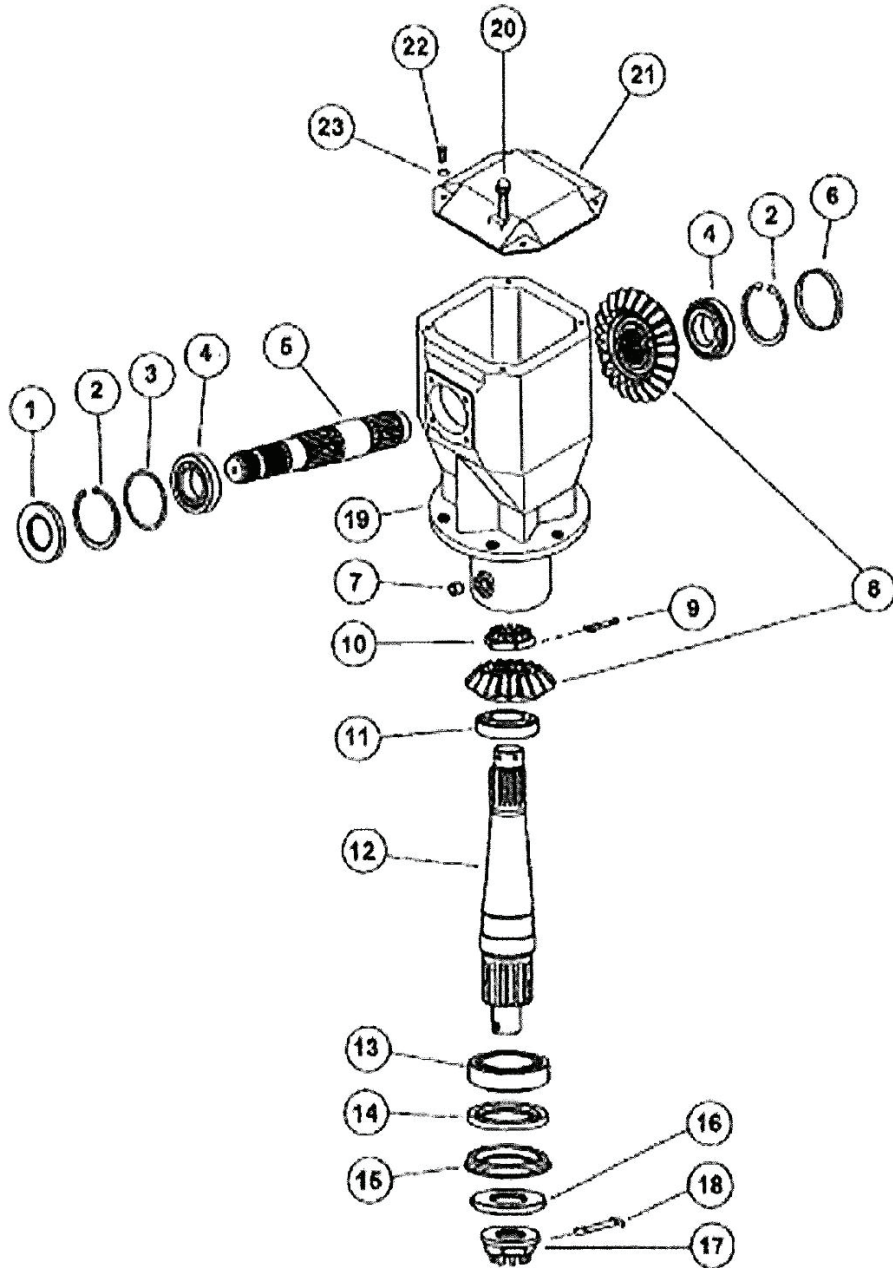
For SCHULTE® FX 315
GEAR CASE
Replacement Right Wing Gear Case & Parts
330-861 CCW Right Wing
540 or 1000 RPM

330-861 COMPLETE RIGHT WING GEAR CASE

<u>Key</u>	<u>Schulte</u>	<u>Bondioli #</u>	<u>Description</u>
1	331-9019	MO70190	Seal
2	331-552	339001085	Snap Ring
3	331-982	340I08500	Shims
4	331-564	MO331-564	Tapered Bearing
5	331-8035	295384040	Input Shaft
6	331-559	372006000	Seal Cap
7	331-8040		Magnetic Plug
8	331-8036	448135704	Gear Set 1:1.35
9	331-812	MO190250	Cotter Pin
10	331-8043	298204200	Castle Nut
11	331-7012	MO331-7012	Tapered Bearing
12	331-8039	295404213	Pinion Shaft
13	331-7114	MO331-7114	Tapered Bearing
14	331-8045	MO331-8045	Seal
15	331-8046	298611006	Sealing Lid
16	331-880	367001002	Spring Washer
17	331-879	330036001	Castle Nut
18	331-878	MO190300	Cotter Pin
19	331-8044		Housing
20	331-8041	373030000	Breather Dipstick
21	331-8042		Cover
22	250-017	MO3875	Bolt 3/8 x 3/4" UNC
23	331-8034	MO3800	Washer
24	341-6242	395002540CE	SFT Shield Cone

SMS Power Train and Hardware
Call us today to get a quote 800-467-3370
Or email us at Parts@smspowertrain.com

For SCHULTE® FX 315
GEAR CASE
Replacement CW Center Gear Case & Parts
330-865 CCW Center (DOT)
1000 RPM



SMS Power Train and Hardware
Call us today to get a quote 800-467-3370
Or email us at Parts@smspowertrain.com

For SCHULTE® FX 315
GEAR CASE
Replacement CW Center Gear Case & Parts
330-865 CCW (DOT)
1000 RPM

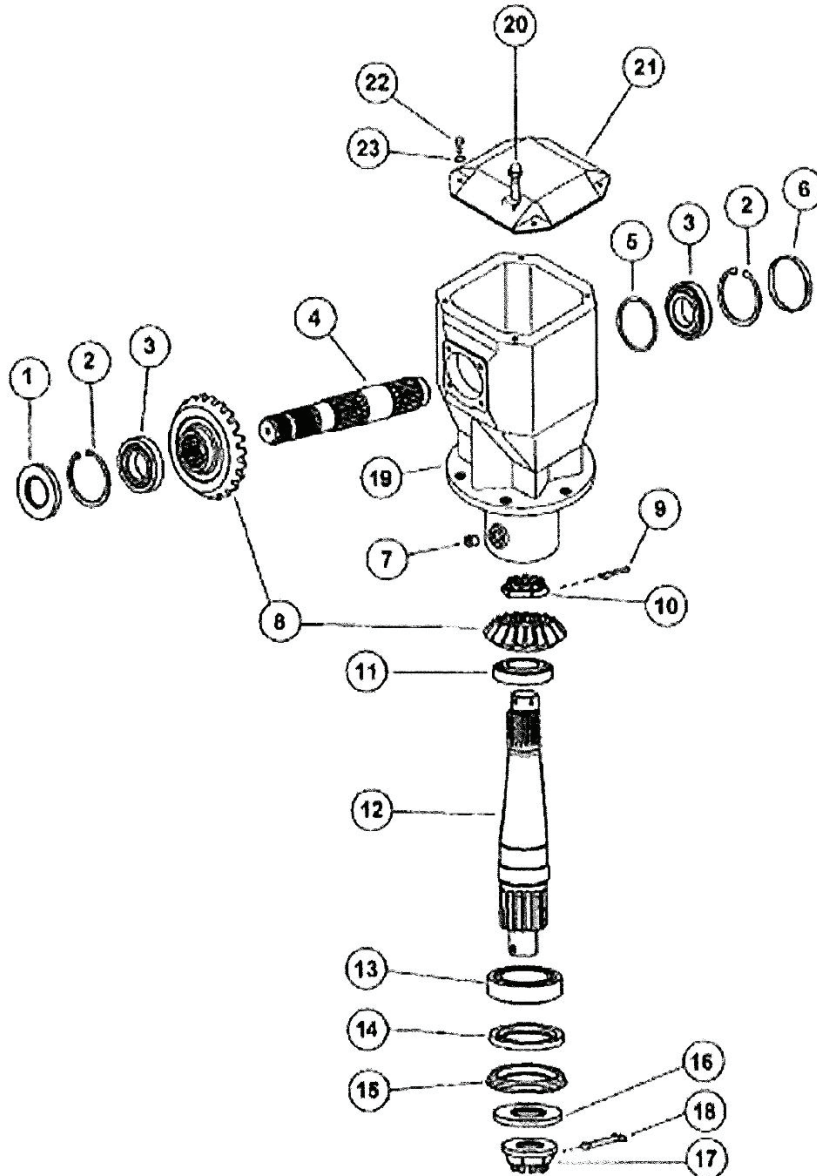
330-865 COMPLETE CENTER GEAR CASE (CW)

<u>Key</u>	<u>Schulte</u>	<u>Bondioli #</u>	<u>Description</u>
1	331-9019	MO70190	Seal
2	331-552	339001085	Snap Ring
3	331-982	340I08500	Shims
4	331-564	MO331-564	Tapered Bearing
5	331-8035	295384040	Input Shaft
6	331-559	372006000	Seal Cap
7	331-8040		Magnetic Plug
8	331-8037		Gear Set 1:1.18
9	331-812	MO190250	Cotter Pin
10	331-8043	298204200	Castle Nut
11	331-7012	MO331-7012	Tapered Bearing
12	331-8039	295404213	Pinion Shaft
13	331-7114	MO331-7114	Tapered Bearing
14	331-8045	MO331-8045	Seal
15	331-8046	298611006	Sealing Lid
16	331-880	367001002	Spring Washer
17	331-879	330036001	Castle Nut
18	331-878	MO190300	Cotter Pin
19	331-8044		Housing
20	331-8041	373030000	Breather Dipstick
21	331-8042		Cover
22	250-017	MO3875	Bolt 3/8 x 3/4" UNC
23	331-8034	MO3800	Washer

SMS Power Train and Hardware
Call us today to get a quote 800-467-3370
Or email us at Parts@smspowertrain.com

For SCHULTE® FX 315 GEAR CASE

Replacement Center Gear Case & Parts
330-864 CCW Center
1000 RPM



SMS Power Train and Hardware
Call us today to get a quote 800-467-3370
Or email us at Parts@smspowertrain.com

For SCHULTE® FX 315
GEAR CASE
Replacement CCW Center Gear Case
330-864 CCW Center
1000 RPM

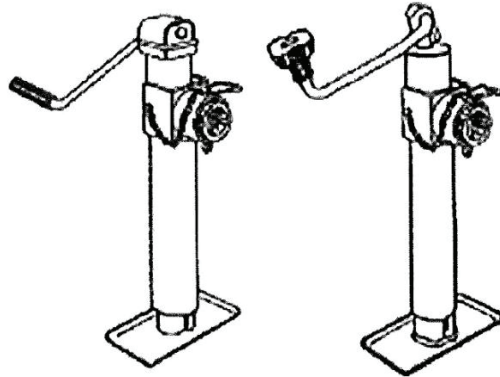
330-864 COMPLETE CENTER GEAR CASE (CCW)

<u>Key</u>	<u>Schulte</u>	<u>Bondioli #</u>	<u>Description</u>
1	331-9019	MO70190	Seal
2	331-552	339001085	Snap Ring
3	331-564	MO331-564	Tapered Bearing
4	331-8035	295384040	Input Shaft
5	331-982	340I08500	Shims
6	331-559	372006000	Seal Cap
7	331-8040		Magnetic Plug
8	331-8037		Gear Set 1:1.18
9	331-812	MO190250	Cotter Pin
10	331-8043	298204200	Castle Nut
11	331-7012	MO331-7012	Tapered Bearing
12	331-8039	295404213	Pinion Shaft
13	331-7114	MO331-7114	Tapered Bearing
14	331-8045	MO331-8045	Seal
15	331-8046	298611006	Sealing Lid
16	331-880	367001002	Spring Washer
17	331-879	330036001	Castle Nut
18	331-878	MO190300	Cotter Pin
19	331-8044		Housing
20	331-8041	373030000	Breather Dipstick
21	331-8042		Cover
22	250-017	MO3875	Bolt 3/8 x 3/4" UNC
23	331-8034	MO3800	Washer

SMS Power Train and Hardware
Call us today to get a quote 800-467-3370
Or email us at Parts@smspowertrain.com

**For SCHULTE® FX 315
JACKS & SAFETY CHAINS
Replacement Heavy Duty Jacks & Safety Chain**

Jacks



Sidewide

Topwind

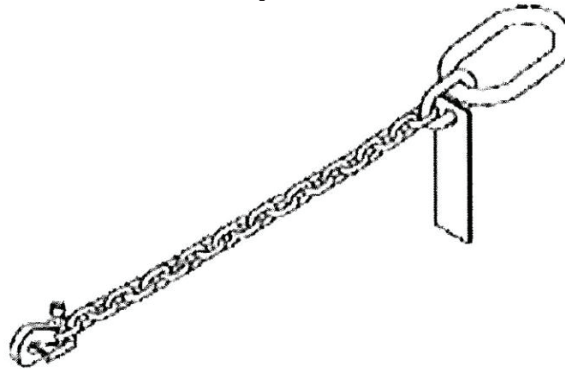
Part #

MO300HD
MO5000HDS

Description

Heavy Duty Jack (Top Crank)
Heavy Duty Jack (Side Crank)

Safety Chain



Part #

MOS000-011

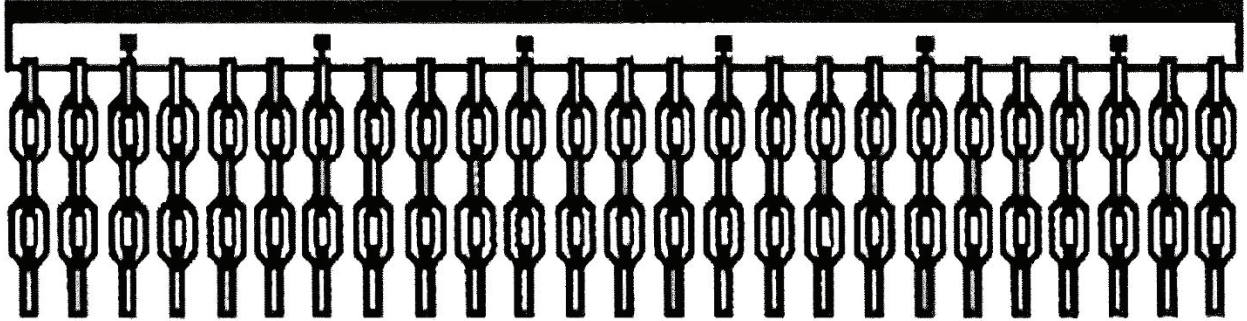
Description

Safety Chain

Note: The safety chain will help the rotary cutter should it accidentally separate from the drawbar. **Do Not Use** the safety chain for towing. Replace the entire chain if any link or end fitting is broken, damaged or stretched. 10,000 lbs. capacity, 59" minimum length.

SMS Power Train and Hardware
Call us today to get a quote 800-467-3370
Or email us at Parts@smspowertrain.com

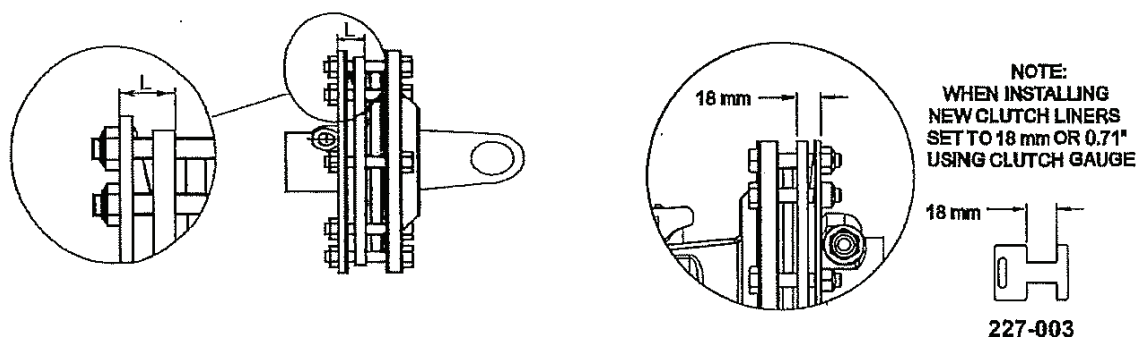
For SCHULTE® FX 315
CHAIN GUARDS
 Replacement Chain Guards



<u>Part #</u>	<u>Description</u>	<u>Qty. Used</u>
Front		
MOC306-502A	Main Center Complete	1
MOC306-501A	Main Inner & Outer Complete	2
MOC306-507A	Wing Inside & Center RH & LH Complete	4
MOC306-506A	Wing Outside RH & LH Complete	2
Rear		
MOC306-503A	Main Center Complete	2
MOC306-507A	Wing RH & LH Complete	2

SMS Power Train and Hardware
 Call us today to get a quote 800-467-3370
 Or email us at Parts@smspowertrain.com

Clutch Settings



Bondioli Clutch Settings

FV42 Clutch (Wing Shafts) 1200 nm

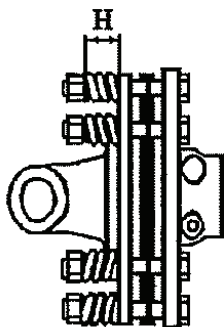
*The spring height L needs measured near each bolt
(18.5 mm or .71" with a tolerance + or - .4 mm)*

FV32 Clutch (Intermediate Shaft 1000 RPM) 900 nm

*The spring height L needs measured near each bolt
(18.0 mm or .71" with a tolerance + or - .4 mm)*

FT42 Clutch (Wing Shafts) 1200 nm

The band needs to touch then back off 1 mm to let moisture out.



Bondioli	FF2 Clutch (coil spring clutch) H = 27.5 mm or 1 3/32"	2 disks
Bondioli	FF3 Clutch (coil spring clutch) H = 28.5 mm or 1 1/8"	4 disks
Comer	F2 Clutch (coil spring clutch) H = 33.3 mm 1 11/32"	2 disks
Comer	F4 Clutch (coil spring clutch) H = 34.1 mm 1 5/16"	4 disks

SMS Power Train and Hardware
Call us today to get a quote 800-467-3370
Or email us at Parts@smspowertrain.com

Clutch Lining Sizes

Lining Size Inside	Outside	Moore #	
3 13/16" 97 mm	6 5/16" 160 mm	247000061	Bondioli
3 13/16" 97 mm	6 5/16" 160 mm	MO31971	Eurocardan
3 3/8" 85 mm	6 3/8" 162 mm	247006351	Bondioli
3 3/8" 85 mm	5 1/2" 140 mm	247000054	Bondioli
3 5/8" 91 mm	5 15/16" 152 mm	MO1711	Comer/Walterscheid
3" 77 mm	5 9/16" 142 mm	247006251	Bondioli
3 7/8" 100 mm	7" 178 mm	MO581060003	Walterscheid
4" 102 mm	6 1/4" 158 mm	19459	Woods

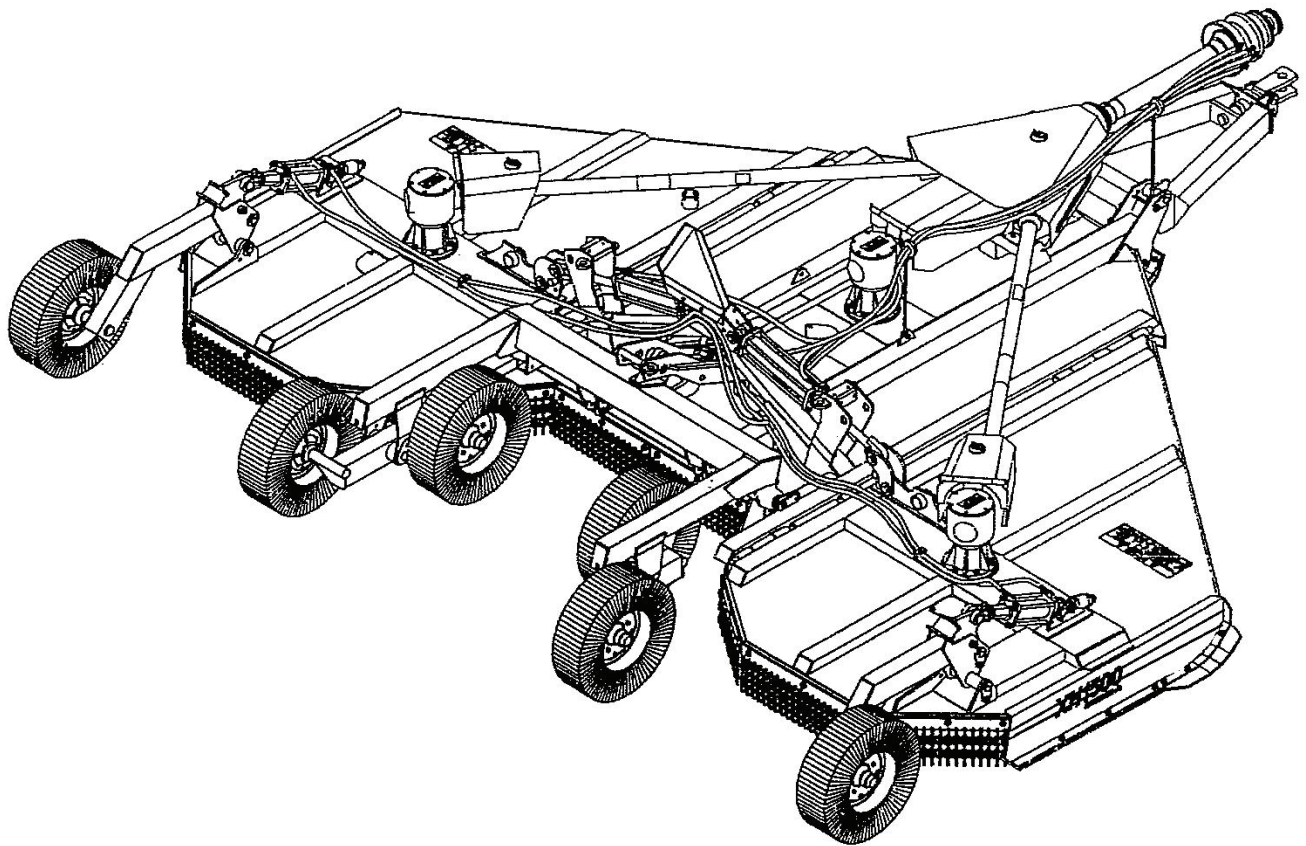
Manufactures Cross Reference

Manufacture	Part #	Moore #	
Alamo	00754202	MO1711	<i>Comer</i>
Alamo	8366	MO1711	<i>Walterscheid</i>
Schulte	341-631	247000061	<i>Bondioli</i>
Schulte	341-6247	247006351	<i>Bondioli</i>
Schulte	341-6228	247006251	<i>Bondioli</i>
Schulte	341-722	247000054	<i>Bondioli</i>
Schulte	341-3501	247000061	<i>Bondioli</i>
Schulte	341-6513	MO1711	<i>Eurogiunti</i>
Schulte	341-6547	247006251	<i>Eurogiunti</i>
Bush Whacker	1711	MO1711	<i>Comer</i>
Bush Whacker	3963	247006251	<i>Bondioli</i>
Bush Hog	91560	247000061	<i>Bondioli</i>
Bush Hog	91561	247000054	<i>Bondioli</i>
Bush Hog	76083	MO1711	<i>Comer</i>
Land Pride	1808010	MO31971	<i>Eurogiunti</i>
Land Pride	168556	MO1711	<i>Walterscheid</i>
Rhino	00754202	MO1711	<i>Comer</i>
Rhino	0581060003	MO581060003	<i>Walterscheid</i>
John Deere	W44285	247006251	<i>Bondioli</i>
John Deere	W34913	MO1711	<i>Walterscheid</i>
Woods	19459	19459	

SMS Power Train and Hardware
 Call us today to get a quote 800-467-3370
 Or email us at Parts@smspowertrain.com

SCHULTE®

XH1000 & XH1500 Series II Rotary Cutter Replacement Parts



SMS Power Train and Hardware
Call us today to get a quote 800-467-3370
Or email us at Parts@smspowertrain.com

SCHULTE

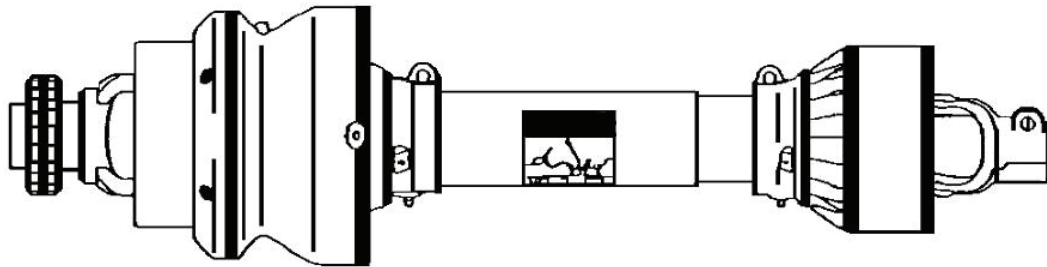
**XH1000 & XH1500
Series II**

This Page

Intentionally Blank

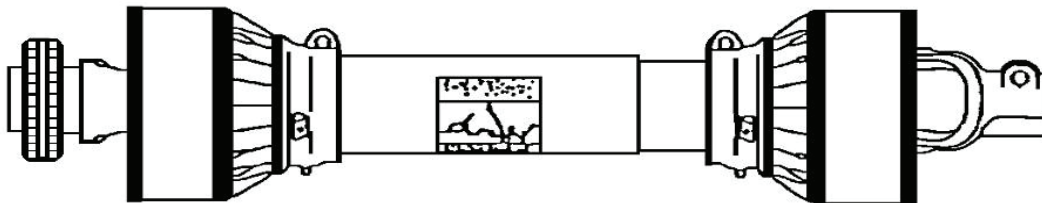
SMS Power Train and Hardware
Call us today to get a quote 800-467-3370
Or email us at Parts@smspowertrain.com

For SCHULTE® XH1000 & XH1500 SERIES II
CV MAIN DRIVESHAFT
TRACTOR TO MOWER CV REPLACEMENT DRIVESHAFT
540 RPM/1000 RPM



<u>Part #</u>	<u>Description</u>
MO3954	Complete Main Driveshaft- <u>CV</u> (Bondioli) <u>540 RPM</u> 1 3/8"-6 Spline Tractor- 1 3/4"-20 Spline Splitter Box 56" (Replaces Schulte®'s 4 lobe shaft)
MO3990	Complete Main Driveshaft- <u>CV</u> (Bondioli) <u>1000 RPM</u> 1 3/8"-21 Spline Tractor-1 3/4"-20 Spline Splitter Box 51.5"

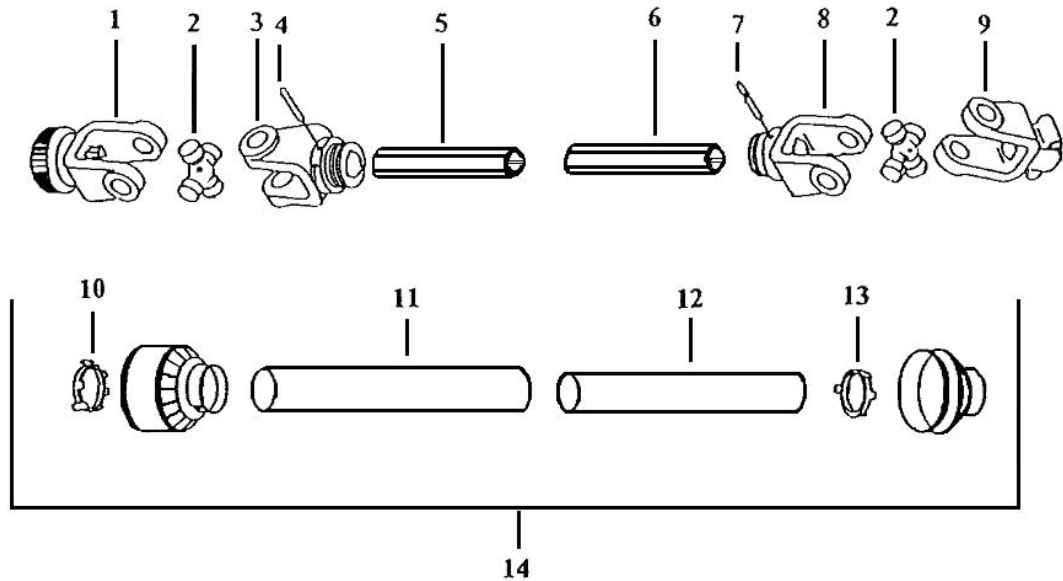
TRACTOR TO MOWER STD. REPLACEMENT DRIVESHAFT
540 RPM



<u>Part #</u>	<u>Description</u>
MO3960	Complete Main Driveshaft- <u>Std.</u> (Bondioli) <u>540 RPM</u> 1 3/8" -6 Spline Tractor -1 3/4"-20 Spline Splitter Box

SMS Power Train and Hardware
 Call us today to get a quote 800-467-3370
 Or email us at Parts@smspowertrain.com

XH1000 & XH1500 STD. DRIVESHAFT
Replacement Parts for MO3960 Standard Driveshaft (Bondioli)
540 RPM



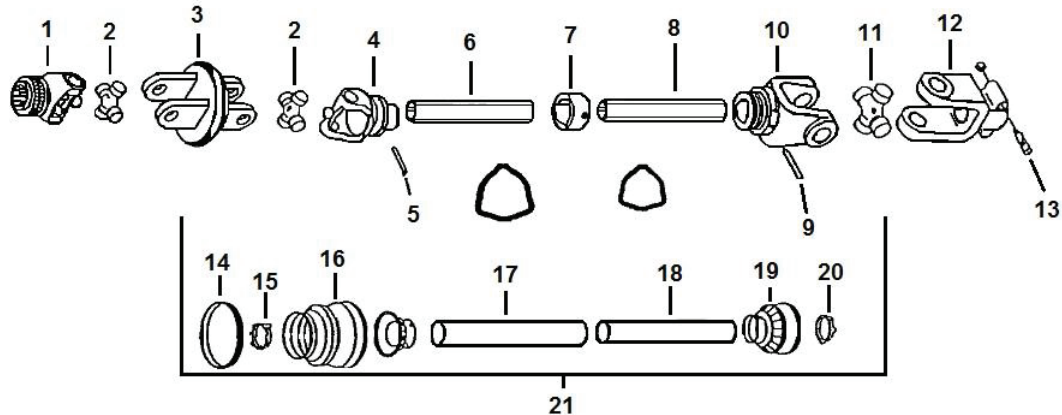
<u>Key</u>	<u>Part #</u>	<u>Description</u>
	MO3960	COMPLETE <u>STD.</u> DRIVESHAFT 540 RPM
1	5720M0376	Tractor Yoke 1 3/8" – 6 spline
2	41208R	Cross Kit (2)
3	204086860	Yoke Outer Tube
4	341054000	Roll Pin Outer Tube Yoke
5	125221500	Outer Tube 32"
6	125121500	Inner Tube 32"
7	341055000	Roll Pin Inner Tube Yoke
8	204086861	Yoke Inner Tube
9	5090M3860	Impl. Yoke – taper pin 1 3/4-20 spline
10	255080005	Outer Shield Bearings
11	236850952	Outer Shield Tube (cut to length)
12	236840952	Inner Shield Tube (cut to length)
13	255080006	Inner Shield Bearing
14	MO5540	Complete Shield Kit

SMS Power Train and Hardware
 Call us today to get a quote 800-467-3370
 Or email us at Parts@smspowertrain.com

**For SCHULTE® XH1000 & XH1500 SERIES II
CV DRIVESHAFT**

**Replacement Parts for MO3950 CV Driveshaft (Bondioli)
540 RPM Triangle Tubes**

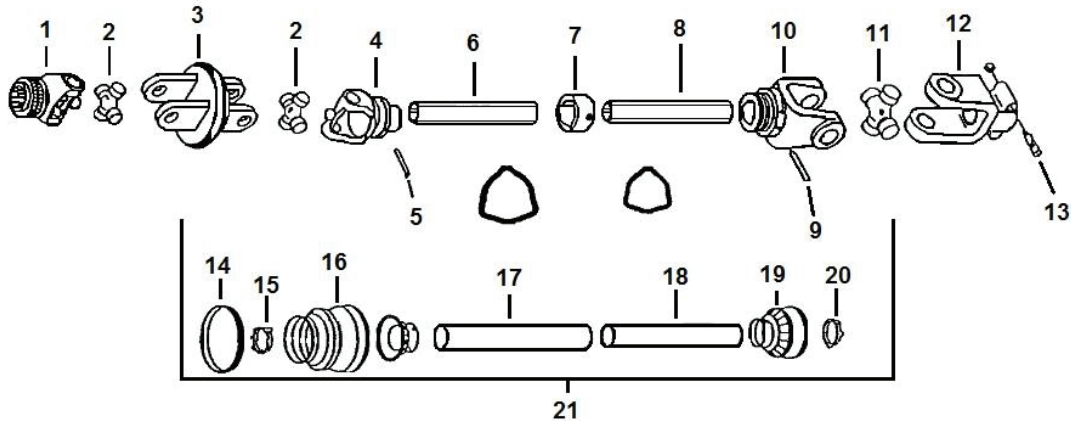
(Two Piece CV Bell That Must Be Screwed Together)



<u>Key</u>	<u>Part #</u>	<u>Description</u>
	MO3950	COMPLETE DRIVESHAFT
1	573080399	Tractor CV QD Yoke 1 3/8 – 6 spline
2	412080012	Cross Kit CV (2)
3	511060051	CV body
4	215086854	Outer Tube Yoke CV
5	341054000	Roll Pin Outer Yoke
6	224380710	Outer Tube 28"
7	239006815	Grease Collar
8	245690713	Inner Tube RILSAN 28 1/4"
9	341055000	Roll Pin Inner Yoke
10	204086861	Inner Tube Yoke
11	41208R	Cross Kit
12	5090M3860	Impl. Yoke – taper pin 1 3/4-20 spline
13	408000076	Taper pin
14	255080351	CV Shield Bearings
15	255080005	Outer Shield Bearings
16	517088001	CV Shield
17	236850952	Outer Shield Tube
18	236840952	Inner Shield Tube
19	517080120	Shield Cone
20	255080006	Inner Shield Bearing
21	MO5530	Complete CV Shield Kit

SMS Power Train and Hardware
Call us today to get a quote 800-467-3370
Or email us at Parts@smspowertrain.com

**For SCHULTE® XH1000 & XH1500 SERIES II
XH1000 & XH1500 DRIVESHAFT
Replacement Parts for MO3950 CV Driveshaft
540 RPM Triangle Tubes
(One Piece “Accordion” Style CV Bell)**



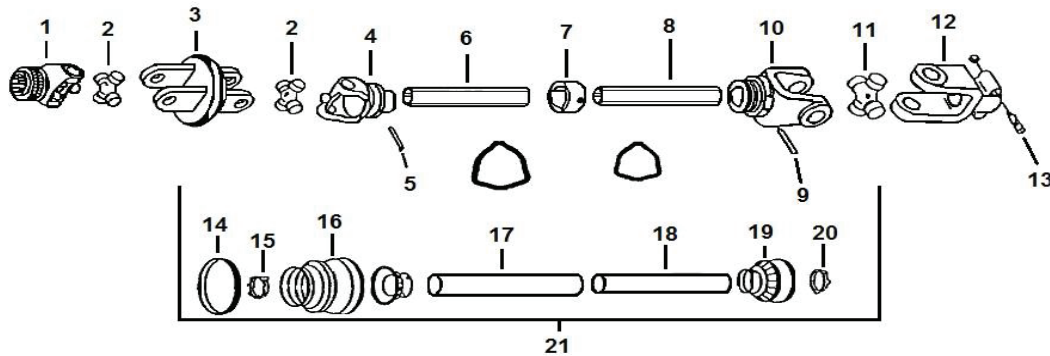
<u>Key</u>	<u>Part #</u>	<u>Description</u>
	MO3950	COMPLETE DRIVESHAFT
1	5730L0384	Tractor CV QD Yoke 1 3/8 – 6 spline
2	4120L0051	Cross Kit CV (2)
3	5110L0063	CV body
4	2150L6873	Outer Tube Yoke CV
5	341054000	Roll Pin Outer Yoke 12 x 90m
6	224320710	Outer Tube 28 1/2"
7	259006803	Grease Collar
8	245390720	Inner Tube RILSAN 28 1/2"
9	341055000	Roll Pin Inner Yoke 12 x 75m
10	204086888	Inner Tube Yoke
11	4120M0011	Cross Kit
12	5090M3860	Impl. Yoke – taper pin 1 3/4-20 spline
13	408000076	Taper pin
14	2550L0023	CV Shield Bearings
15	255080005	Outer Shield Bearings
16	517080200	CV Shield
17	236850640	Outer Shield Tube
18	2370084E4	Inner Shield Tube
19	517080120	Shield Cone
20	255080006	Inner Shield Bearing
21	MO5532	Complete CV Shield Kit

SMS Power Train and Hardware

Call us today to get a quote 800-467-3370

Or email us at Parts@smspowertrain.com

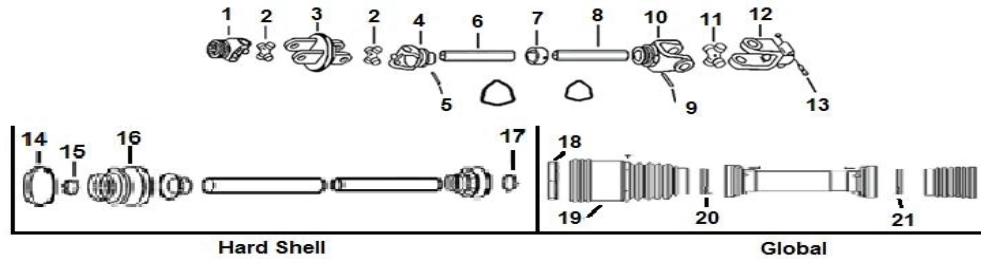
For SCHULTE® XH1000 & XH1500 SERIES II
Replacement Parts for MO3954 CV Driveshaft
540 RPM Triangle Tubes
(One Piece “Accordion” Style CV Bell)



<u>Key</u>	<u>Part #</u>	<u>Description</u>
	MO3954	COMPLETE DRIVESHAFT
1	5730L0384	Tractor CV QD Yoke 1 3/8 – 6 spline
2	4120L0051	Cross Kit CV (2)
3	5110L0063	CV body
4	2150L6873	Outer Tube Yoke CV
5	341054000	Roll Pin Outer Yoke 12 x 90m
6	224320810	Outer Tube 32”
7	259006803	Grease Collar
8	245390820	Inner Tube RILSAN 32 1/4”
9	341055000	Roll Pin Inner Yoke 12 x 75m
10	204086888	Inner Tube Yoke
11	4120M0011	Cross Kit
12	5090M3860	Impl. Yoke – taper pin 1 3/4-20 spline
13	408000076	Taper pin
14	2550L0023	CV Shield Bearings
15	255080005	Outer Shield Bearings
16	517080200	CV Shield
17	236850738	Outer Shield Tube
18	2370084F4	Inner Shield Tube
19	517080120	Shield Cone
20	255080006	Inner Shield Bearing
21	MO5535	Complete CV Shield Kit

SMS Power Train and Hardware
 Call us today to get a quote 800-467-3370
 Or email us at Parts@smspowertrain.com

For SCHULTE® XH1000 & XH1500 SERIES II
Replacement Parts for MO3990 CV Driveshaft (Bondioli)
1000 RPM Triangle Tubes
(One Piece “Accordion” Style CV Bell)



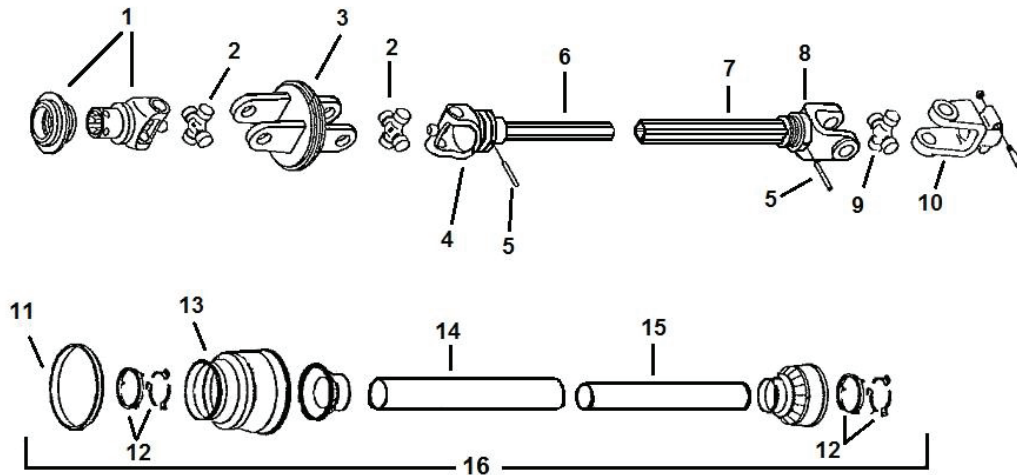
<u>Key</u>	<u>Part #</u>	<u>Description</u>
	MO3990	COMPLETE DRIVESHAFT
1	5730G3784	Tractor CV QD Yoke 1 3/8 – 21 spline
2	4120G0051	Cross Kit CV (2)
3	5110G0061	CV body
4	2150G6885	Outer Tube Yoke CV
5	341042000	Roll Pin Outer Yoke
6	225270840	Outer Tube 33”
7	259006803	Grease Collar
8	245160840	Inner Tube RILSAN 33”
9	341043000	Roll Pin Inner Yoke
10	204066852	Inner Tube Yoke
11	4120H0011	Cross Kit
12	5090H3860	Impl. Yoke – taper pin
13	408000076	Taper pin
14	2550G0024	CV Shield Bearings
15	255060005	Outer Shield Bearings
16	2190G0150	CV Shield
17	255060006	Inner Shield Bearing
18	2550G0024	CV Shield Bearing (Global)
19	219051401	CV Shield (Global)
20	255071002	Outer Shield Bearing (Global)
21	255071001	Inner Shield Bearing (Global)
	MO5522	Complete CV Shield Kit (Hard Shell Shield Cones)
	MO5525	Complete CV Shield Kit (Global) Flexible Shield Cones

SMS Power Train and Hardware
 Call us today to get a quote 800-467-3370
 Or email us at Parts@smspowertrain.com

**For SCHULTE® XH1000 & XH1500 SERIES II
CV DRIVESHAFT**

**Replacement Parts for SFT (4 Lobe) (340-820)
540 RPM**

Inner Tube Towards Tractor

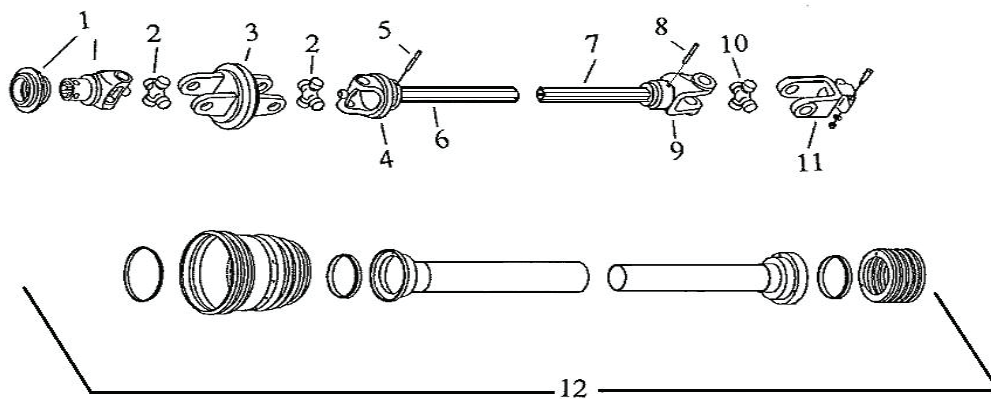


MO3954 COMPLETE REPLACEMENT CV DRIVE SHAFT

<u>Key</u>	<u>Part #</u>	<u>Bondioli #</u>	<u>Description</u>
1	341-8073	573080399	Tractor CV QD yoke 1 3/8 – 6 spline
2	341-0808	412080012	Cross Kit CV (2)
3	341-0809	511080051	CV Body
4	341-8074	251086860	Yoke, Inner Tube
5	341-8087	34104600	Roll Pin (2)
6	341-8075	2453V0840	Inner Tube
7	341-8076	237D02740	Outer Tube
8	341-8077	204086882	Yoke, Outer Tube
9	341-645	41208R	Cross Kit
10	341-0863	5090M3860	Yoke, Impl. 1 3/4-20 spline
11	341-0813	255080351	Bearing, CV Bell
12	341-8078	255003551	Shield Bearing (2)
13	341-0814	517088001	CV Bell
14	341-8080	237A00841	Shield Outer Tube
15	341-8081	237A00774	Shield Inner Tube
16	341-8053	MO5580	CV Shield Kit

SMS Power Train and Hardware
Call us today to get a quote 800-467-3370
Or email us at Parts@smspowertrain.com

For SCHULTE® XH1000 & XH1500 SERIES II CV DRIVESHAFT
Replacement Parts for SFT (4 Lobe) (340-850)
540 RPM
Outer Tube Towards Tractor

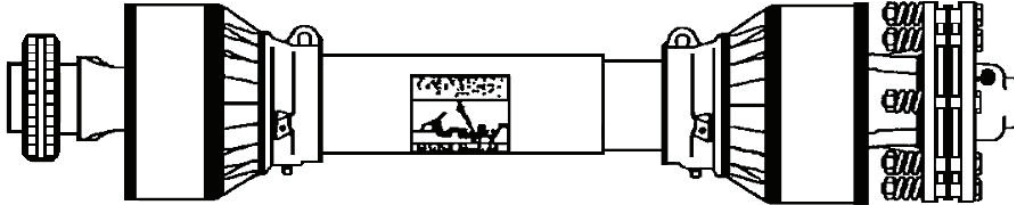


MO3954 COMPLETE REPLACEMENT CV DRIVE SHAFT

<u>Key</u>	<u>Part #</u>	<u>Bondioli #</u>	<u>Description</u>
1	341-80046	5730L0384	Tractor CV QD yoke 1 3/8 – 6 spline
2	341-80047	4120L0051	Cross Kit CV (2)
3	341-80045	5110L0063	CV Body (Grease fitting 341-8182)
4	341-80048	2150L6871	Yoke, Outer Tube
5	341-80074	341103000	Roll Pin
6	341-80055	237D03T58	Outer Cardan Tube
7	341-80056	2454D0850	Inner Cardan Tube
8	341-80007	341053000	Roll Pin
9	341-80008	204S86854	Yoke, Inner Tube
10	341-80002	4120L0012	Cross Kit
11	341-80070	5090L3860	Yoke, Impl. 1 3/4-20 spline
12	341-80067	MO5085	CV Shield Kit

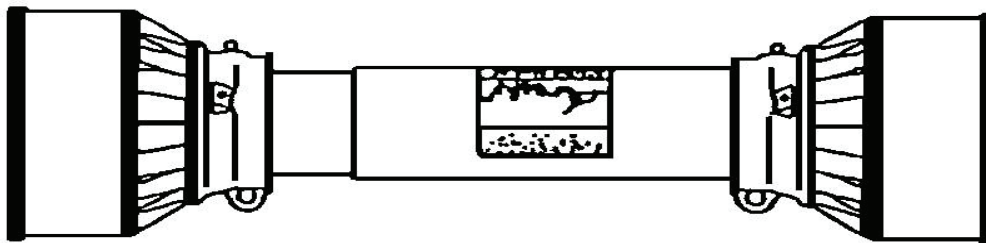
SMS Power Train and Hardware
 Call us today to get a quote 800-467-3370
 Or email us at Parts@smspowertrain.com

WING SHAFT W/CLUTCH
Replacement Wing Shaft with Clutch & Shield Kit



<u>Part #</u>	<u>Description</u>
MO4970	Complete Wing Shaft with Clutch (Bondioli) 1 3/8"-6 spline input yoke-1 3/8"-6 spline clutch

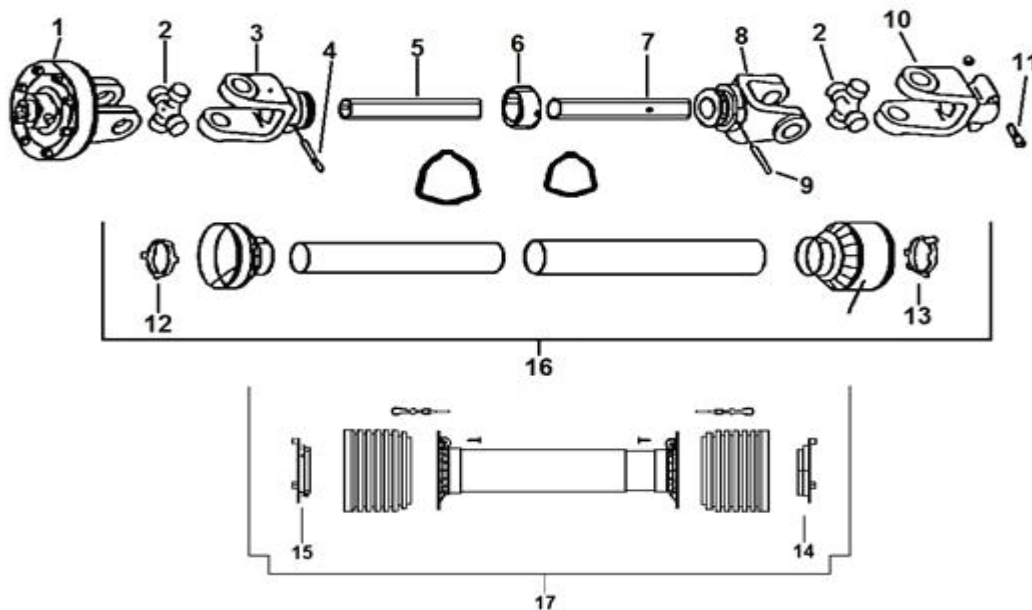
Replacement Shield Kit



<u>Part #</u>	<u>Description</u>
MO4530	Complete Shield Kit (Hard Shell Shield Cones) (Bondioli)
MO4545	Complete Shield Kit (Global) Flexible Shield Cones

SMS Power Train and Hardware
Call us today to get a quote 800-467-3370
Or email us at Parts@smspowertrain.com

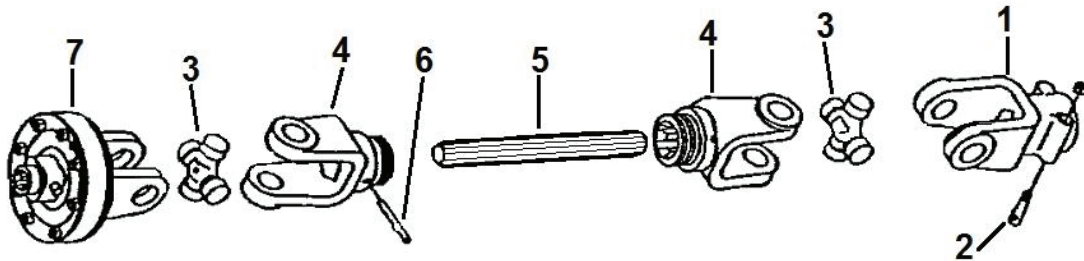
**For SCHULTE® XH1000 & XH1500 SERIES II
WING SHAFT W/CLUTCH
MO4970 (Bondioli) Replacement Wing Shaft & Parts**



<u>Key</u>	<u>Part #</u>	<u>Description</u>
	MO4970	COMPLETE WING SHAFT
1	MO9920	Complete Clutch Coil Spring 1 3/8 – 6 spline
	MO9960	Complete Clutch Belleville Spring 1 3/8” – 6 spline
2	4120H0011	Cross Kit (2)
3	204066852	Inner Tube Yoke
4	341043000	Roll Pin Inner Tube Yoke
5	270161200	Inner Tube Heat Treated
6	259006802	Grease Collar
7	224211200	Outer Tube
8	204066851	Outer Tube Yoke
9	341042000	Roll Pin Outer Tube Yoke
10	5090H0360	Impl. Yoke Taper Pin 1 3/8” – 6 spline
11	408000075	Taper Pin
12	255060006	Inner Shield Bearing
13	255060005	Outer Shield Bearings
14	255071001	Inner Shield Bearing (Global) Flexible Shield Cones
15	255071002	Outer Shield Bearing (Global) Flexible Shield Cones
16	MO4530	Complete Wing Shield Kit (Hard Shell Shield Cones)
17	MO4545	Complete Wing Shield Kit (Global) Flexible Shield Cones

SMS Power Train and Hardware
Call us today to get a quote 800-467-3370
Or email us at Parts@smspowertrain.com

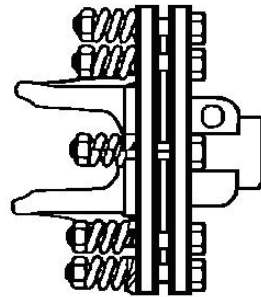
**For SCHULTE® XH1000 & XH1500 SERIES II
INTERMEDIATE SHAFT
MO340-615 (Bondioli) Replacement Intermediate Shaft & Parts
540 RPM**



<u>Key</u>	<u>Part #</u>	<u>Description</u>	
	MO340-615	COMPLETE INTERMEDIATE ASSEMBLY	
1	5090H0360	Yoke 1 3/8 – 6 spline	(341-806)
2	408000075	Tapered Bolt	(341-801)
3	4120H0011	Cross Kit (2)	(341-605)
4	204063361	Splined Yoke (2)	(341-606)
5	MO341-6071	Splined Shaft	(341-6071)
6	345001000	Roll Pin	(341-608)
7	MO9960	FV42 Clutch (540)	(341-609)
	MO9956	FV32 Clutch (1000)	(341-808)

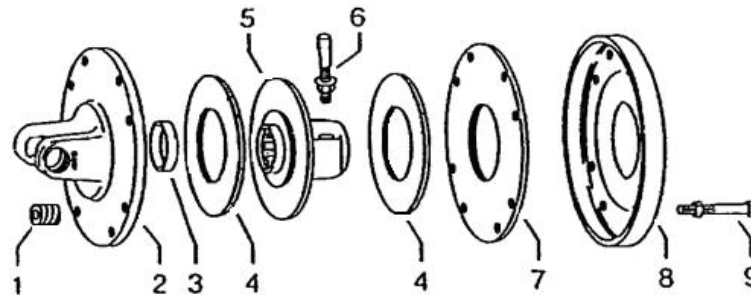
SMS Power Train and Hardware
Call us today to get a quote 800-467-3370
Or email us at Parts@smspowertrain.com

**For SCHULTE® XH1000 & XH1500 SERIES II FF2
CLUTCH
MO9920 (Bondioli) Replacement Clutch & Parts (8 Coil Springs)**



<u>Part #</u>	<u>Description</u>
MO9920	FF2 Complete Clutch Size 6 1 3/8" - 6 spline

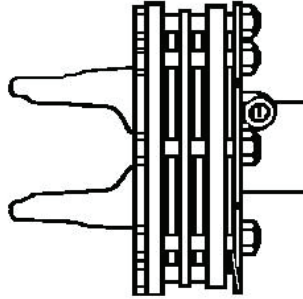
FF2 Clutch Parts



<u>Key</u>	<u>Part #</u>	<u>Description</u>	<u>Qty. Used</u>
1	351022370	6mm springs	8
2	253062302	Flange yoke size 6	1
3	258005320	Bushing	1
4	247000061	Lining 3 13/16 x 6 5/16"	2
5	515210311	Hub 1 3/8" 6 spline	1
6	408000075	Taper bolt 1 3/8"	1
7	248230002	Inner plate	1
8	248230006	Pressure plate	1
9	432000006	Bolt w/lock nut	8

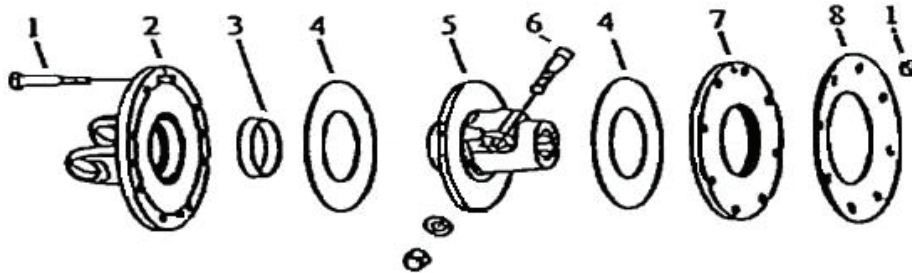
SMS Power Train and Hardware
Call us today to get a quote 800-467-3370
Or email us at Parts@smspowertrain.com

**For SCHULTE® XH1000 & XH1500 SERIES II
FV42 CLUTCH
MO9960 (Bondioli) Replacement Clutch & Parts (Belleville Spring)**



<u>Part #</u>	<u>Description</u>
MO9960	FV42 Complete Clutch Size 6 1 3/8" - 6 spline

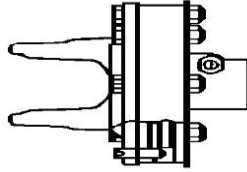
FV42 Clutch Parts



<u>Key</u>	<u>Part #</u>	<u>Description</u>	<u>Qty. Used</u>
1	432000054	Bolt w/lock nut	8
2	253069001	Flange yoke size 6	1
3	258005320	Bushing	1
4	247006351	Lining 3 3/8 x 6 3/8"	2
5	515870305	Hub 1 3/8" 6 spline	1
6	408000075	Taper bolt 1 3/8"	1
7	248870005	Inner plate	1
8	367FT420A	Belleville spring 4.5mm	1

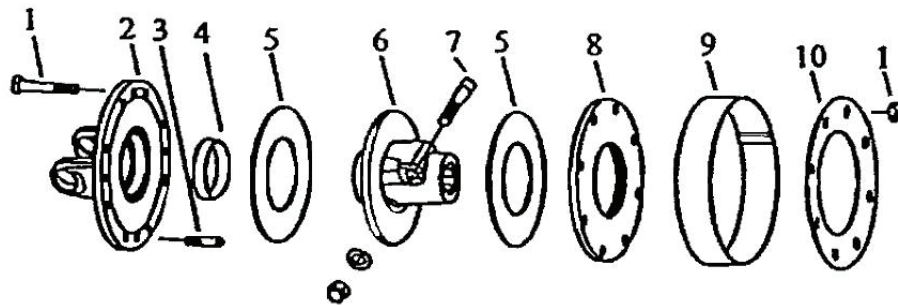
SMS Power Train and Hardware
Call us today to get a quote 800-467-3370
Or email us at Parts@smspowertrain.com

**For SCHULTE® XH1000 & XH1500 SERIES II
FT42 CLUTCH
MO9990 (Bondioli) Replacement Clutch & Parts (Belleville Spring
w/Clutch Band)**



<u>Part #</u>	<u>Description</u>
MO9990	FT42R Complete Clutch Size 6 1 3/8" - 6 spline

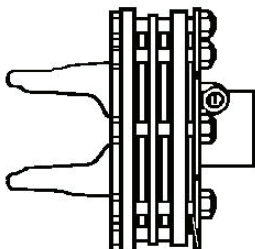
FT42R Clutch Parts



<u>Key</u>	<u>Part #</u>	<u>Description</u>	<u>Qty. Used</u>
1	432000054	Bolt w lock nut	8
2	2530H8705	Flange yoke size 6	1
3	310001300	Socket head screw	4
4	258005320	Bushing	1
5	247006351	Lining 3 3/8 x 6 3/8"	2
6	515870305	Hub 1 3/8" 6 spline	1
7	408000075	Taper bolt 1 3/8"	1
8	248870005	Inner plate	1
9	240000214	Outer band	1
10	367FT420A	Belleville spring	1

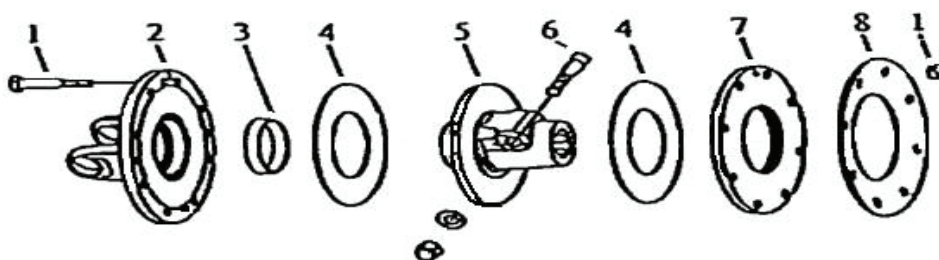
SMS Power Train and Hardware
Call us today to get a quote 800-467-3370
Or email us at Parts@smspowertrain.com

**For SCHULTE® XH1000 & XH1500 SERIES II
FV32 CLUTCH
MO9956 (Bondioli) Replacement Clutch & Parts
(Belleville Spring)**



<u>Part #</u>	<u>Description</u>
MO9956	FV32 Complete Clutch Size 6 1 3/8" - 6 spline

FV32 Clutch Parts

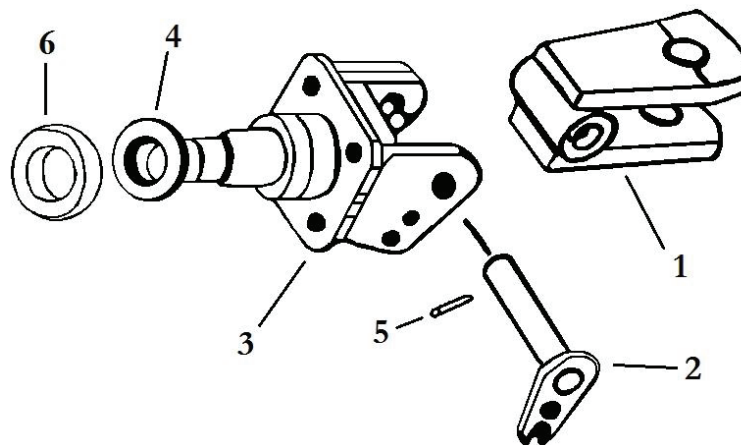


<u>Key</u>	<u>Part #</u>	<u>Description</u>	<u>Qty. Used</u>
1	432000053	Bolt w/lock nut	8
2	253068903	Flange yoke size 6	1
3	258005320	Bushing	1
4	247006251	Lining 3 x 5 9/16"	2
5	515860305	Hub 1 3/8" 6 spline	1
	515863705	Hub 1 3/8" 21 spline	1
6	408000076	Taper Bolt 1 3/8"	1
7	248860005	Inner Plate	1
8	367008860	Belleville spring	1

SMS Power Train and Hardware
Call us today to get a quote 800-467-3370
Or email us at Parts@smspowertrain.com

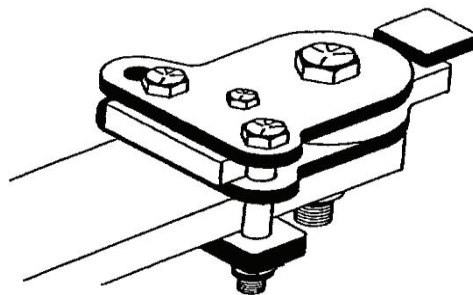
For SCHULTE® XH1000 & XH1500 SERIES II HITCH

Replacement Clevis Hitch & Parts



<u>Key</u>	<u>Part #</u>	<u>Description</u>
1	MOCS01-106	Hitch Clevis
2	MOCS01-134	Clevis Pin
3	MOCS01-109	Hitch Swivel
4	MO256-055	Machine Bushing
5	MO262-006	Roll Pin 3/8 x 2"
6	MO362-012	Bushing

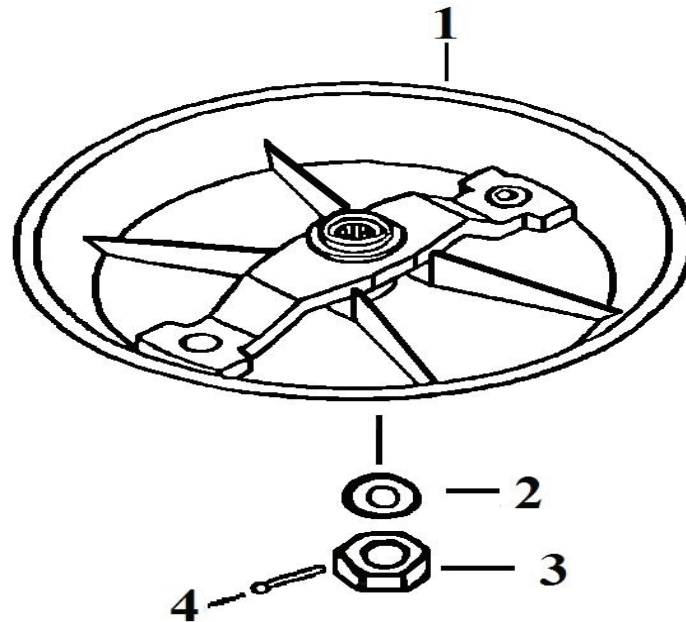
Precision Hitch



<u>Part #</u>	<u>Description</u>
C000-300	Precision Hitch

SMS Power Train and Hardware
Call us today to get a quote 800-467-3370
Or email us at Parts@smspowertrain.com

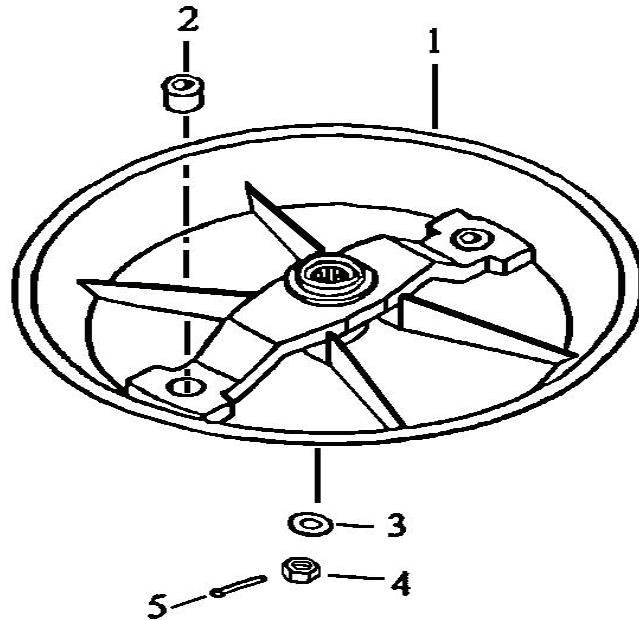
**For SCHULTE® XH1000 & XH1500 SERIES II BLADE
PAN
Replacement Blade Pans & Parts (Keyed Blade Bolts)**



<u>Key</u>	<u>Part #</u>	<u>Description</u>
1	MO150-19	Blade Carrier Center (Machined Key Way)
	MO150-20	Blade Carrier Wing (Machined Key Way)
2	367001001	Washer (331-814)
3	330002500	Nut (331-813)
4	MO190250	Cotter Key

SMS Power Train and Hardware
Call us today to get a quote 800-467-3370
Or email us at Parts@smspowertrain.com

**For SCHULTE® XH1000 & XH1500 SERIES II
BLADE PAN
Replacement Blade Pans & Parts (Pentagon Blade Bolts)**

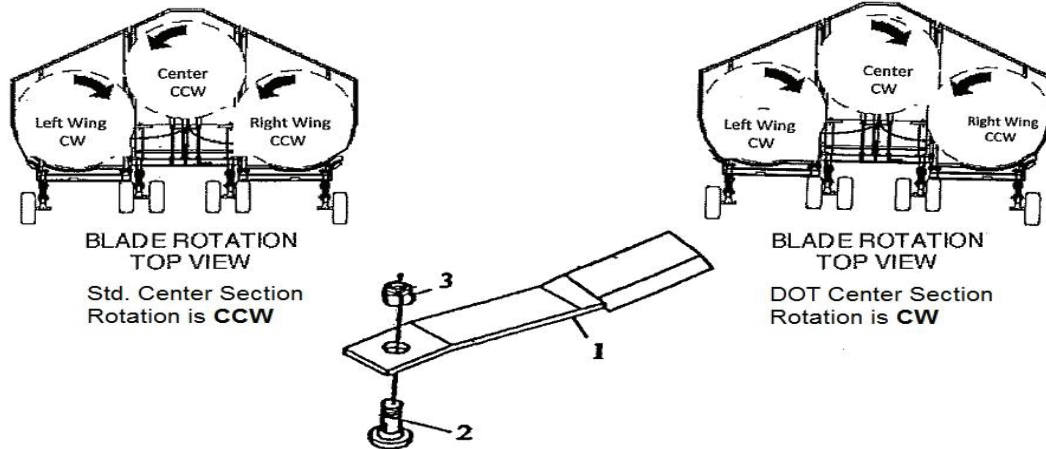


<u>Key</u>	<u>Part #</u>	<u>Description</u>
1	MOC000-142	Blade Carrier (C enter)
	MOC000-141	Blade Carrier (W ing)
2	251-020	Bushing (P entagon)
3	367001001	Washer (331-814)
4	330002500	Nut (331-813)
5	MO190250	Cotter Key

SMS Power Train and Hardware
Call us today to get a quote 800-467-3370
Or email us at Parts@smspowertrain.com

For SCHULTE® XH1000 & XH1500 SERIES II XH1500 BLADES

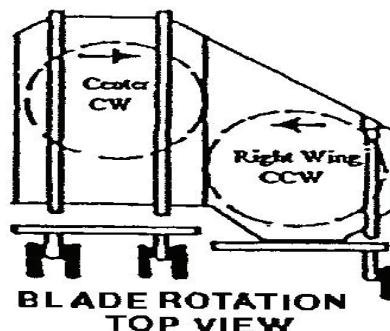
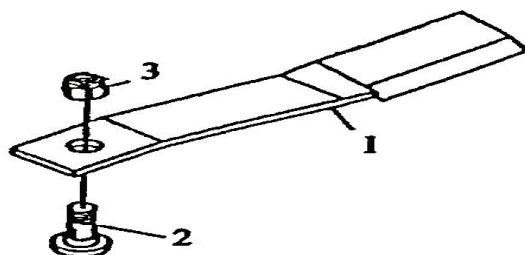
Replacement Rotary Cutter Blades & Parts



<u>Key</u>	<u>Part #</u>	<u>Description</u>	<u>Qty. Used</u>
1	MO401-046	Blade CW Left Wing DOT & Std. (Updraft)	2
	MO401-047	Blade CCW Right Wing DOT & Std. (Updraft)	2
	MO401-052	Blade CW Center DOT (Updraft)	2
	MO401-048	Blade CCW Center Std. (Updraft)	2
Optional Blades			
	MO401-026	Blade CW Left Wing DOT & Std. (Suction)	2
	MO401-027	Blade CCW Right Wing DOT & Std. (Suction)	2
	MO401-032	Blade CW Center DOT (Suction)	2
	MO401-028	Blade CCW Center Std. (Suction)	2
2	MO251-007	Bolt (Keyed)	6
	MO251-101	Bolt & Nut Kit (Keyed)	6
	MO251-018	Bolt (Pentagon)	6
	MO251-201	Bolt & Nut Kit (Pentagon)	6
3	MO257-003	Lock Nut	6

SMS Power Train and Hardware
Call us today to get a quote 800-467-3370
Or email us at Parts@smspowertrain.com

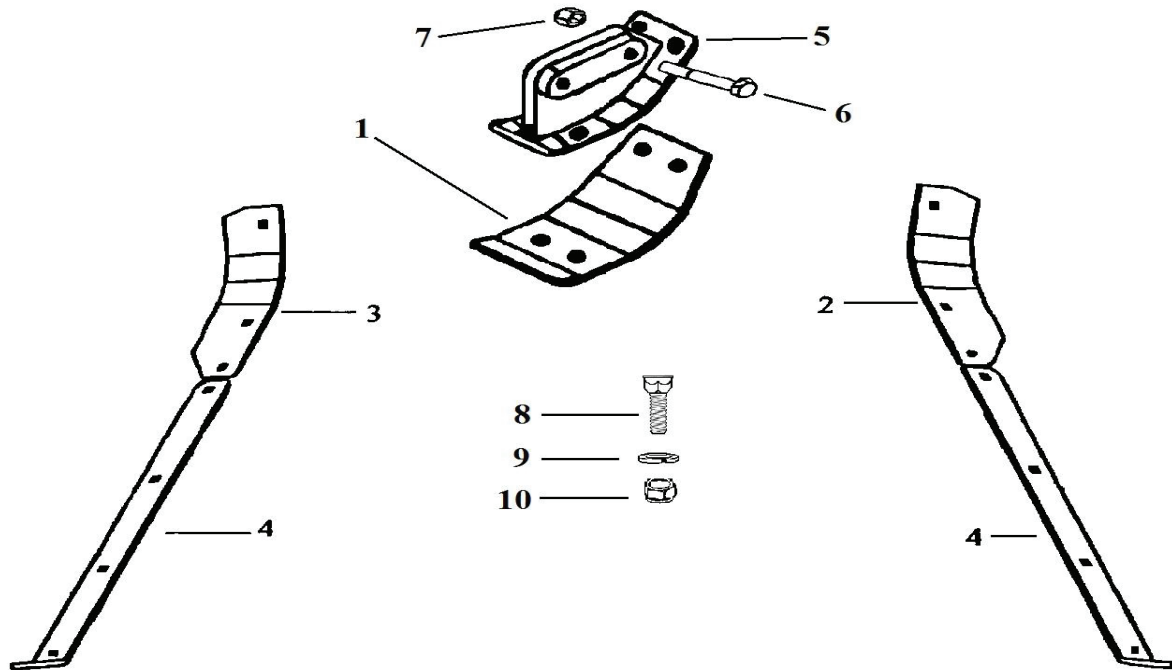
**For SCHULTE® XH1000 & XH1500 SERIES II
XH1000 BLADES
Replacement Rotary Cutter Blades & Parts**



<u>Key</u>	<u>Part #</u>	<u>Description</u>	<u>Qty. Used</u>
1	MO401-047	Blade CCW Right Wing DOT & Std. (Updraft)	2
	MO401-052	Blade CW Center DOT (Updraft)	2
Optional Blades			
	MO401-027	Blade CCW Right Wing DOT & Std. (Suction)	2
	MO401-032	Blade CW Center <u>DOT</u> (Suction)	2
2	MO251-007	Bolt (Keyed)	4
	MO251-101	Bolt & Nut Kit (Keyed)	4
	MO251-018	Bolt (Pentagon)	4
	MO251-201	Bolt & Nut Kit (Pentagon)	4
3	MO257-003	Lock Nut	4

SMS Power Train and Hardware
Call us today to get a quote 800-467-3370
Or email us at Parts@smspowertrain.com

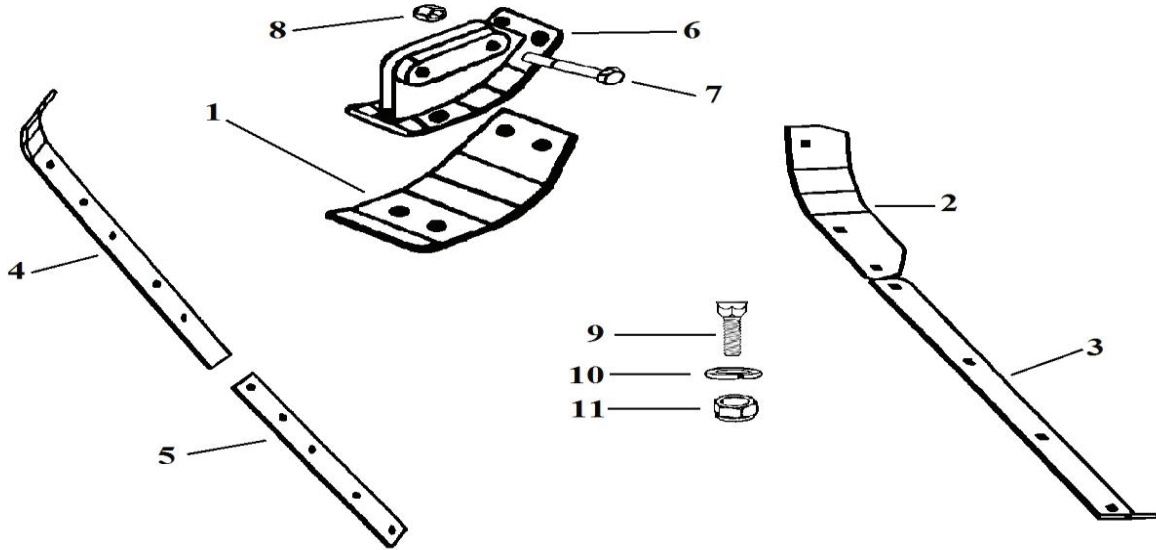
**For SCHULTE® XH1000 & XH1500 SERIES II
XH1500 SKID SHOES
Replacement Skid Shoes & Parts**



<u>Key</u>	<u>Part #</u>	<u>Description</u>	<u>Qty. Used</u>
1	MOC301-137	Skid Shoe, Center Section	2
2	MOC502-136	Skid Shoe, Front Right Wing	1
3	MOC502-137	Skid Shoe, Front Left Wing	1
4	MOC301-136	Skid Shoe, Rear Wing	2
5	MOC301-139	Skid Shoe, Mount Assembly, Right	1
	MOC301-138	Skid Shoe, Mount Assembly, Left	1
6	MO63350	Bolt	4
7	MO63CZ	Lock Nut 5/8"	4
8	MO50150PL	Plow Bolt	22
9	MO50CZ	Lock Nut 1/2"	22
10	MO5100	Washer	22

SMS Power Train and Hardware
Call us today to get a quote 800-467-3370
Or email us at Parts@smspowertrain.com

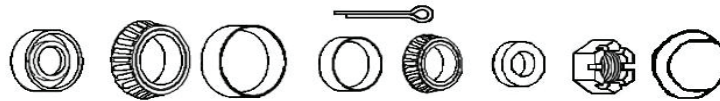
**For SCHULTE® XH1000 & XH1500 SERIES II
XH1000 SKID SHOES
Replacement Skid Shoes & Parts**



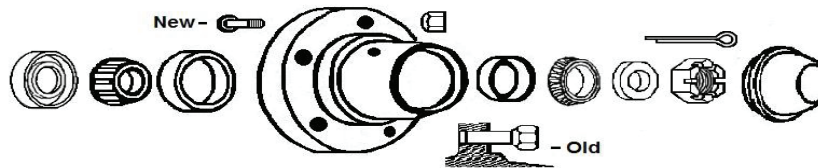
<u>Key</u>	<u>Part #</u>	<u>Description</u>	<u>Qty. Used</u>
1	MOC301-137	Skid Shoe, Center Section	2
2	MOC502-136	Skid Shoe, Front Right Wing	1
3	MOC301-136	Skid Shoe, Rear Right Wing	1
4	MOC302-106	Skid Shoe, Front Skirt	1
5	MOC302-107	Skid Shoe, Rear Skirt	1
6	MOC301-139	Skid Shoe, Mount Assembly, Right	1
	MOC301-138	Skid Shoe, Mount Assembly, Left	1
7	MO63350	Bolt	4
8	MO63CZ	Lock Nut 5/8"	4
9	MO50150PL	Plow Bolt	25
10	MO50CZ	Lock Nut 1/2"	25
11	MO5100	Washer	25

SMS Power Train and Hardware
Call us today to get a quote 800-467-3370
Or email us at Parts@smspowertrain.com

**For SCHULTE® XH1000 & XH1500 SERIES II
WHEEL HUBS
Replacement Wheel Bearing, Hubs, Spindles & Parts**



<u>Part #</u>	<u>Description</u>
MO4920	Wheel Bearing Kit Consists of:
207-020	Inside bearing cup
207-019	Inside bearing cone
207-025	Outside bearing cup
207-024	Outside bearing cone
207-026	Seal
207-027	Hub Cap
209-017	Nut (3/4")
256-060	Washer
	Cotter Key 3/16 X 1 1/2"



<u>Part #</u>	<u>Description</u>
MO206-009	Wheel Hub Complete with Bearings (5 Hole)
MO207-043	Stud Bolt w/Nut (New)
MO207-028	Wheel Bolt (Old)

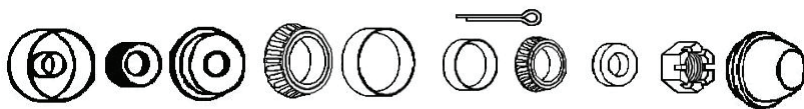


<u>Part #</u>	<u>Description</u>
MO208-0151	Spindle Removable (Main Frame w/Walking Axle)
MO208-016	Spindle Removable (Wing)
MO50325G8	Grade 8 Bolt
MO50CZ	Lock Nut

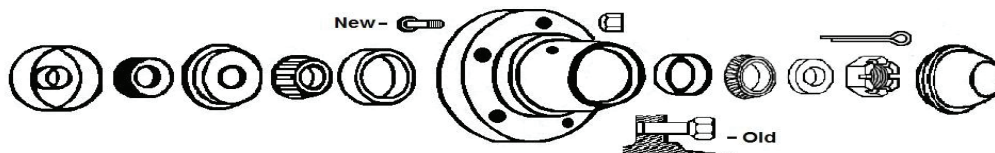
SMS Power Train and Hardware
Call us today to get a quote 800-467-3370
Or email us at Parts@smspowertrain.com

For SCHULTE® XH1000 & XH1500 SERIES II WHEEL HUBS

Replacement Wheel Bearing, Hubs, Spindles & Parts



<u>Part #</u>	<u>Description</u>
MO4925	Wheel Bearing Kit Consists of:
207-015C	Inside Bearing Cup & Cone
207-019C	Outside Bearing Cup & Cone
207-022	Hub Cap
803-029C	Nut (7/8")
Cotter Key 3/16 X 1 1/2"	
804-055C	Washer
MO207-065	Seal Kit (207-063; 207-062; 207-064)



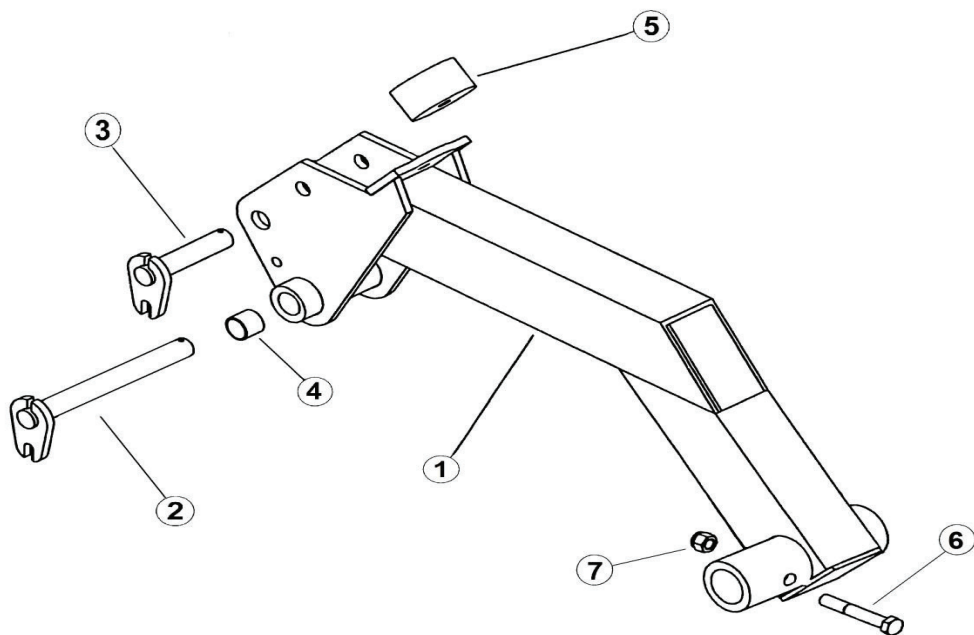
<u>Part #</u>	<u>Description</u>
MO206-013	Wheel Hub Complete with Bearings (5 Hole)
MO207-043	Stud Bolt w/Nut (New)
MO207-028	Wheel Bolt (Old)



<u>Part #</u>	<u>Description</u>
MO208-027	Spindle Removable (Main Frame w/Walking Axle)
MO208-028	Spindle Removable (Wing)
MO50325G8	Grade 8 Bolt
MO50CZ	Lock Nut

SMS Power Train and Hardware
Call us today to get a quote 800-467-3370
Or email us at Parts@smspowertrain.com

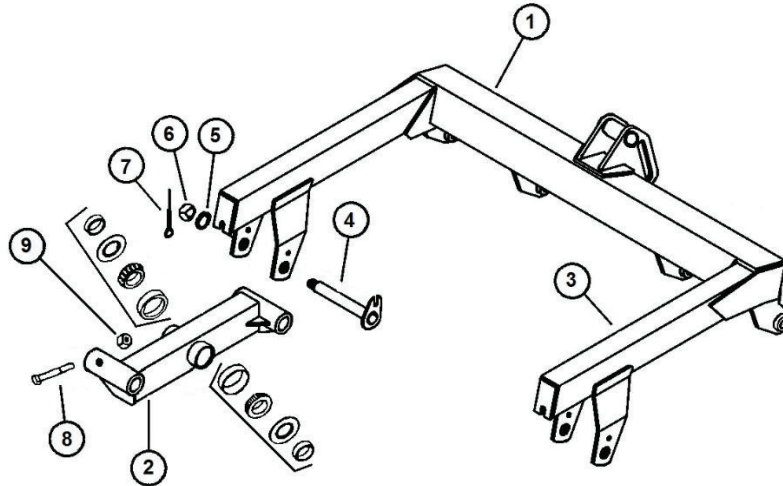
**For SCHULTE® XH1000 & XH1500 SERIES II
WHEEL STANDARD
Replacement Wing Wheel Standard & Parts**



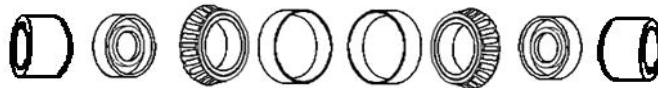
<u>Key</u>	<u>Part #</u>	<u>Description</u>
1	MOC301-126B	Wing Wheel Standard, Right Side
	MOC301-125B	Wing Wheel Standard, Left Side (Shown)
2	MOC301-146	Pivot Pin
3	MOC301-144	Retaining Pin
4	MO362-010	Tension Bushing (2)
5	233-050	Rubber Sandwich Mount
6	MO50325G8	Grade 8 Bolt
7	MO50CZ	Lock Nut

SMS Power Train and Hardware
Call us today to get a quote 800-467-3370
Or email us at Parts@smspowertrain.com

**For SCHULTE® XH1000 & XH1500 SERIES II
WALKING BEAM
Replacement Walking Beam & Parts**



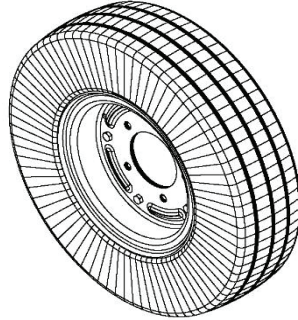
<u>Key</u>	<u>Part #</u>	<u>Description</u>
1	C301-165	Center Walking Beam
2	MOC301-341	Walking Beam (Left)
	MOC301-342	Walking Beam (Right)
3	C301-123	Walking Beam Wheel Standard
4	MO150-16	Pivot Pin, Walking Beam
5	MO256-068	Machine Bushing
6	MO209-011	Castle Nut
7	MO271-001	Cotter Key 3/16 x 1 1/2"
8	MO50325G8	Bolt grade 8
9	MO50CZ	Lock Nut



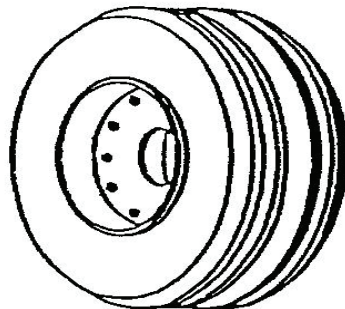
<u>Part #</u>	<u>Description</u>	
MO4921	Walking Axle Bearing Kit of: 207-016 bearing cup (2) 207-015 bearing cone (2) 207-021 seal (2) 803-001 spacer (2)	Consists

SMS Power Train and Hardware
Call us today to get a quote 800-467-3370
Or email us at Parts@smspowertrain.com

**For SCHULTE® XH1000 & XH1500 SERIES II
WHEELS & TIRES
Replacement Wheels, Tires & Parts**



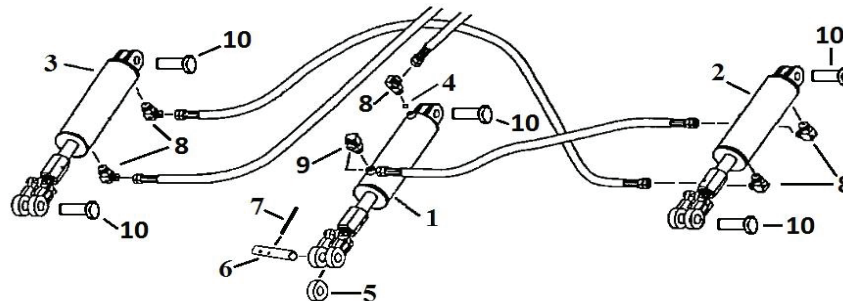
<u>Part #</u>	<u>Description</u>
MO510BH	Laminated Wheel 6" X 9" X 21" 5 bolt



<u>Part #</u>	<u>Description</u>
MO210-161	Aircraft Tire Only (Recapped) 22 x 6.6 x 10
MO210-162	Aircraft Tire w/Rim (Mounted) 22 x 6.6 x 10
MO210-162F	Aircraft Tire w/Rim (Mounted) Foam Filled 22 x 6.6 x 10
MO210-163	Tube Only (Rubber Stem)
MO210-163JS	Tube Only (JS Bent Metal Stem)
MO210-164	Flap
MO210-165	Rim Only 10"

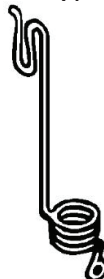
SMS Power Train and Hardware
Call us today to get a quote 800-467-3370
Or email us at Parts@smspowertrain.com

**For SCHULTE® XH1000 & XH1500 SERIES II
CYLINDERS & HOSE ORGANIZERS
Replacement Phasing Cylinders, Hose Organizers & Parts**



<u>Key</u>	<u>Part #</u>	<u>Description</u>
1	MO100-3671	Main Frame Cylinder
2	MO100-3681	Right Wing Cylinder
3	MO100-3691	Left Wing Cylinder
4	MOC000-006	Resistor
5	C502-194	Sleeve
6	C502-193	Clevis Pin
7	262-006	Roll Pin, 3/8 x 2
8	MO108-043	Elbows 90* (5)
9	MO108-044	Elbow 45*
10	MO302-015	Cylinder Pin (5)
	MO3671K	Seal Kit for MO100-3671 Cylinder
	MO3681K	Seal Kit for MO100-3681 Cylinder
	MO3691K	Seal Kit for MO100-3691 Cylinder

Hose Organizer

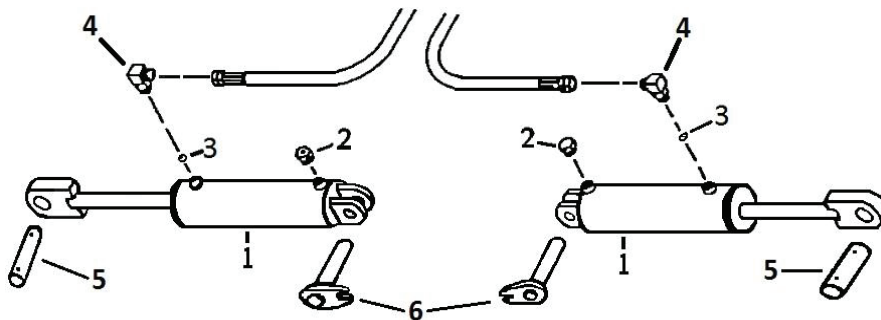


<u>Part #</u>	<u>Description</u>
MO228-012	Center Hose Organizer 20" (2)

SMS Power Train and Hardware
Call us today to get a quote 800-467-3370
Or email us at Parts@smspowertrain.com

For SCHULTE® XH1000 & XH1500 SERIES II CYLINDERS & HOSE ORGANIZERS

Replacement Wing Lift Cylinders, Hose Organizers & Parts



<u>Key</u>	<u>Part #</u>	<u>Description</u>	
1	MO100-3701	Wing Lift Cylinder	2
	MO108-056	Breather (2)	
3	MOC000-006	Resistor (2)	
4	MO108-043	Elbows 90*	
5	MOC301-140	Pin, 1 x 3 13/32 (2)	
6	C301-148	Retainer Pin, 1 x 4 U.L. (2)	
	MO3701K	Seal Kit for MO100-3701 Cylinder	

Wing

Hose Organizers

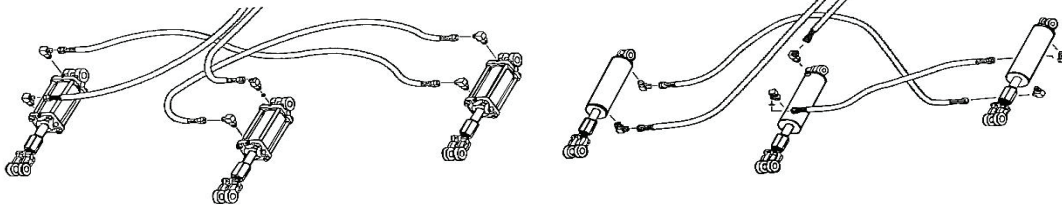


<u>Part #</u>	<u>Description</u>
MO228-011	Wing Hose Organizer 16" (2)

SMS Power Train and Hardware
Call us today to get a quote 800-467-3370
Or email us at Parts@smspowertrain.com

For SCHULTE® XH1000 & XH1500 SERIES II CYLINDERS & SEAL KITS

Phasing Cylinders



Cylinders

Main Frame

100-3221 3 ½ x 5" Monarch (Tie Rod)

100-3671 3 ½ x 5" Monarch (Threaded Head)

3 ½ x 5" Ram (Threaded Head)

102-219

Seal Kits

101-067

101-067 100-3540

RH Wing

100-3231 3 ¼ x 5" Monarch (Tie Rod)

100-3681 3 ¼ x 5" Monarch (Threaded Head)

3 ¼ x 5" Ram (Threaded Head)

102-218

101-066

101-066 100-3550

LH Wing

100-3241 3 x 5" Monarch (Tie Rod)

100-3691 3 x 5" Monarch (Threaded Head)

100-3560 3 x 5" Ram (Threaded Head)

101-065

101-065

102-217

Wing

Cylinders



Cylinders

100-3181 3 x 12" Monarch (Tie Rod)

3 x 12" Monarch (Threaded Head)

100-3750 3 x 12" Ram (Threaded Head)

101-025W

Seal Kits

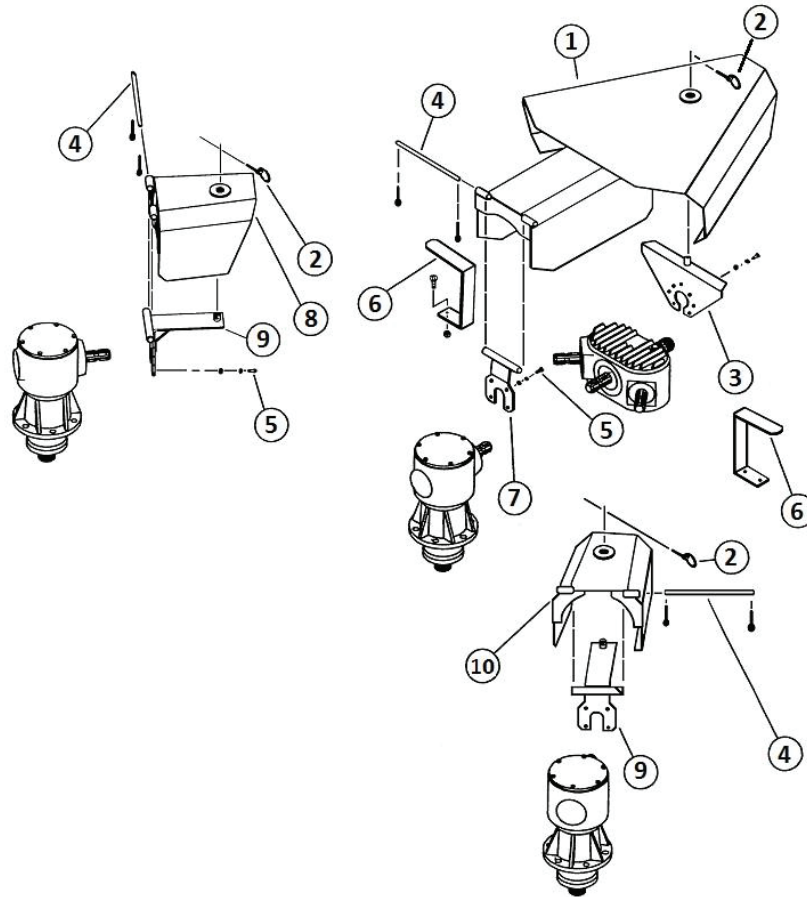
101-025 100-3701

102-111

SMS Power Train and Hardware
Call us today to get a quote 800-467-3370
Or email us at Parts@smspowertrain.com

For SCHULTE® XH1000 & XH1500 SERIES II GEARBOX / DRIVELINE SHIELDS

Replacement Shield Parts

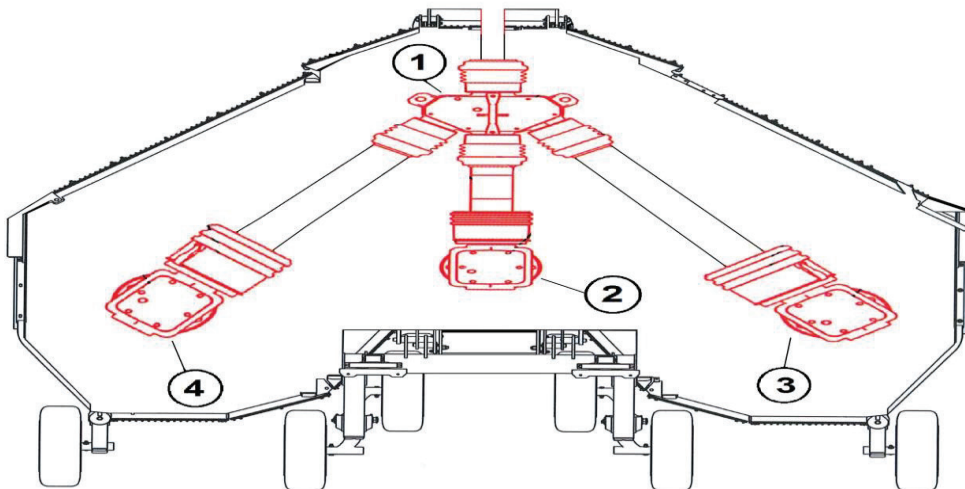


<u>Key</u>	<u>Part #</u>	<u>Description</u>	<u>Qty. Used</u>
1	C301-201	Center Section Shield Assembly	1
2	MO300-012	Lynch Pin ¼ Standard	3
3	C301-202	Splitter Shield Mount	1
4	MOC301-203	Shield Hinge Pin	3
5	251-008	Bolt, M8 x 20mm	12
6	C301-208	Splitter Shield Rest Bracket	2
7	C301-204	Center Gearbox Pivot Shield Mount	1
8	C301-206	Left Wing Gearbox Pivot Shield	1
9	C301-205	Wing Gearbox Pivot Mount	2
10	C301-207	Right Wing Gearbox Shield	1

SMS Power Train and Hardware
 Call us today to get a quote 800-467-3370
 Or email us at Parts@smspowertrain.com

**For SCHULTE® XH1000 & XH1500 SERIES II
XH1500 GEAR CASES
Replacement Gear Cases 540 RPM**

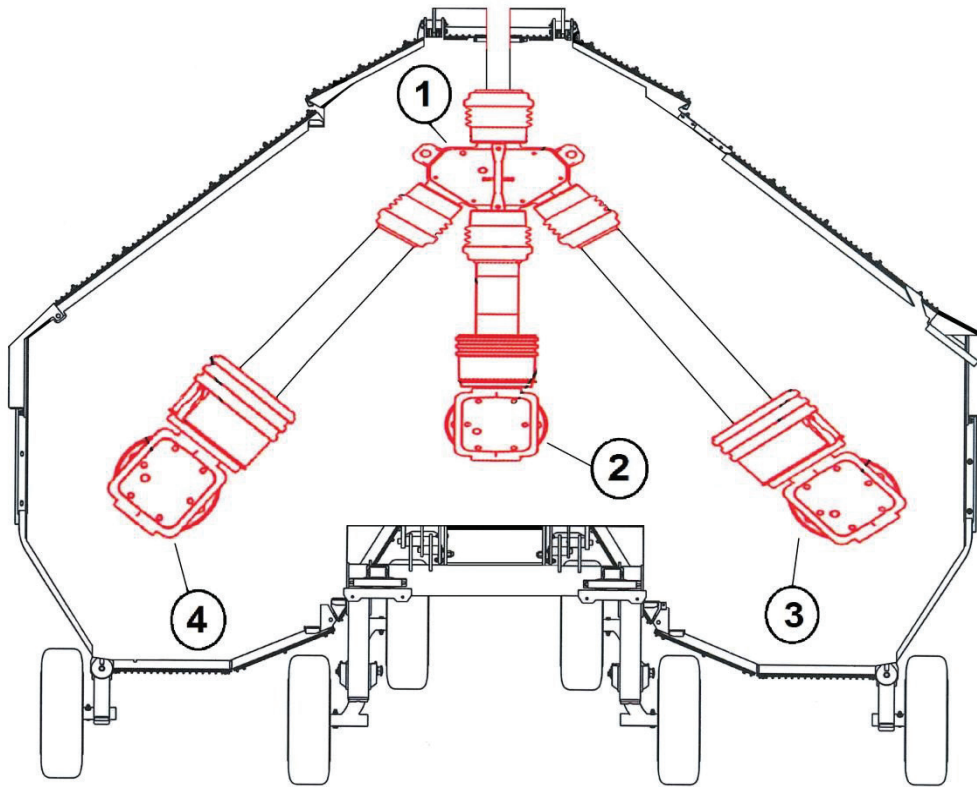
<u>Key</u>	<u>Part #</u>	<u>Description</u>
1	MO330-912	Divider Gear Case
2	MO330-805	Center Gear Case CW DOT F2
	MO330-806	Center Gear Case CCW R2
3	MO330-805	Right Wing Gear Case CCW F2
4	MO330-806	Left Wing Gear Case CW R2



SMS Power Train and Hardware
SMS Power Train and Hardware
Call us today to get a quote 800-467-3370
Or email us at Parts@smspowertrain.com

Call us today to get a quote 800-467-3370

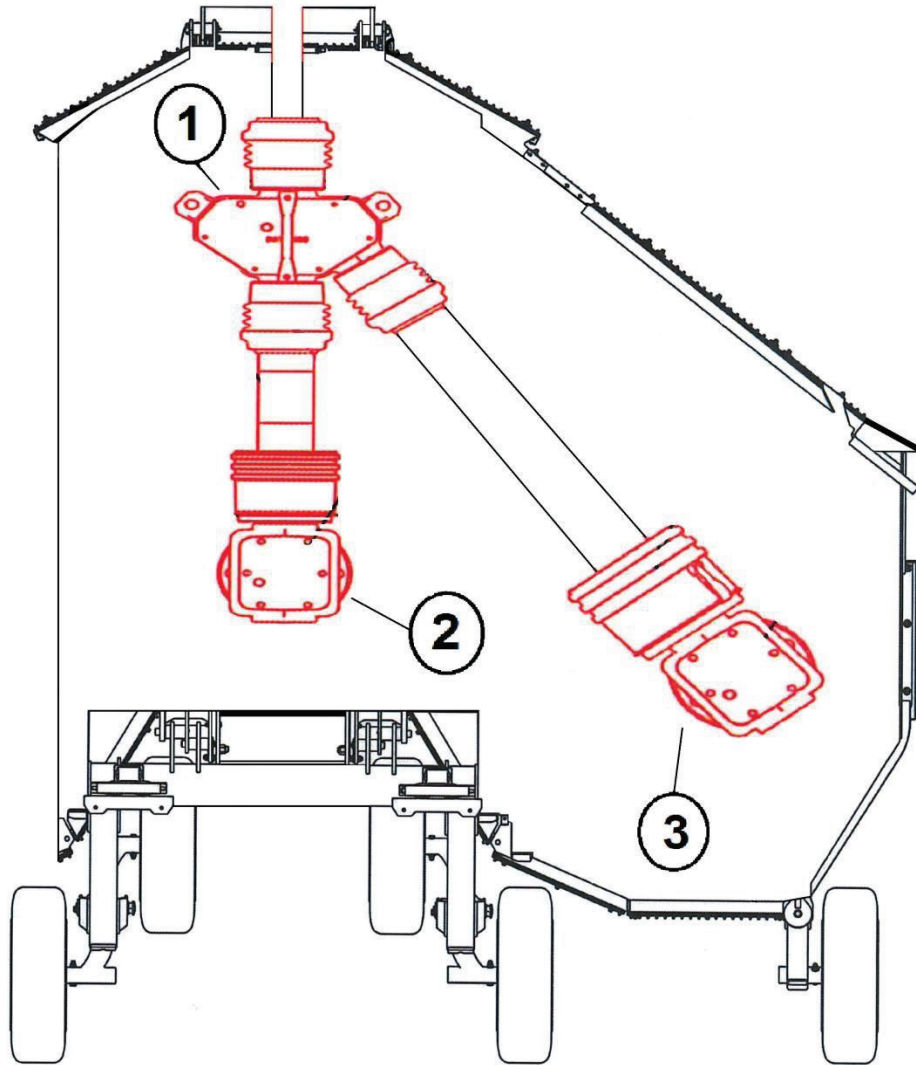
**For SCHULTE® XH1000 & XH1500 SERIES II
XH1500 GEAR CASES
Replacement Gear Cases 1000 RPM**



<u>Key</u>	<u>Part #</u>	<u>Description</u>
1	MO330-913	Divider Gear Case
2	MO330-810	Center Gear Case CW DOT F2
	MO330-809	Center Gear Case CCW R2
3	MO330-807	Right Wing Gear Case CCW F2
4	MO330-808	Left Wing Gear Case CW R2

SMS Power Train and Hardware
Call us today to get a quote 800-467-3370
Or email us at Parts@smspowertrain.com

<u>Key</u>	<u>Part #</u>	<u>Description</u>	
1	MO330-913	Divider Gear Case	
2	MO330-810	Center Gear Case CW	F2
3	MO330-807	Right Wing Gear Case CCW	F2



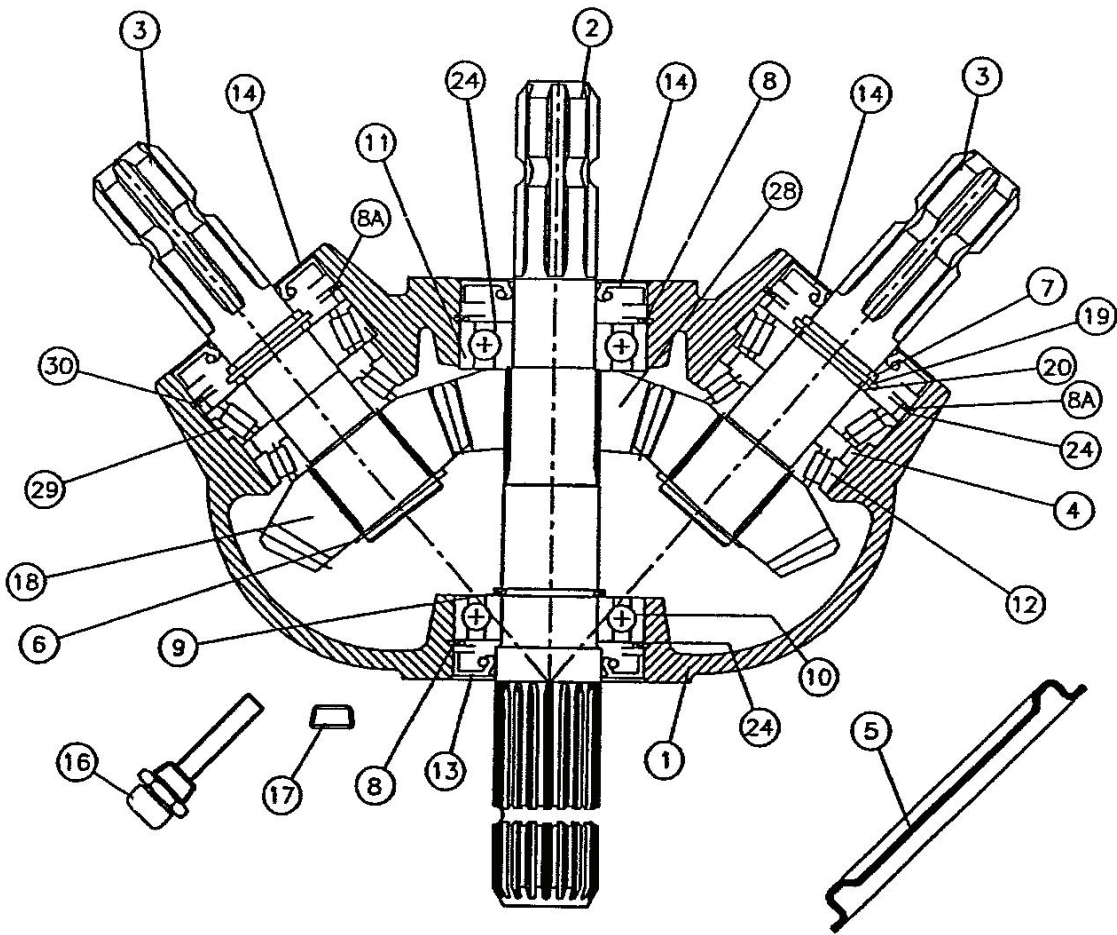
SMS Power Train and Hardware
 Call us today to get a quote 800-467-3370
 Or email us at Parts@smspowertrain.com

For SCHULTE® XH1000 & XH1500 SERIES II GEAR CASE

Replacement Divider Gear Box & Parts

MO330-912 540 RPM (10' & 15')

MO330-913 1000 RPM (10' & 15')



SMS Power Train and Hardware
SMS Power Train and Hardware
Call us today to get a quote 800-467-3370
Or email us at Parts@smspowertrain.com

**For SCHULTE® XH1000 & XH1500 SERIES II GEAR CASE
Replacement Divider Gear Box & Parts**

MO330-912 540 RPM (10' & 15') MO330-913 1000 RPM (10' & 15')

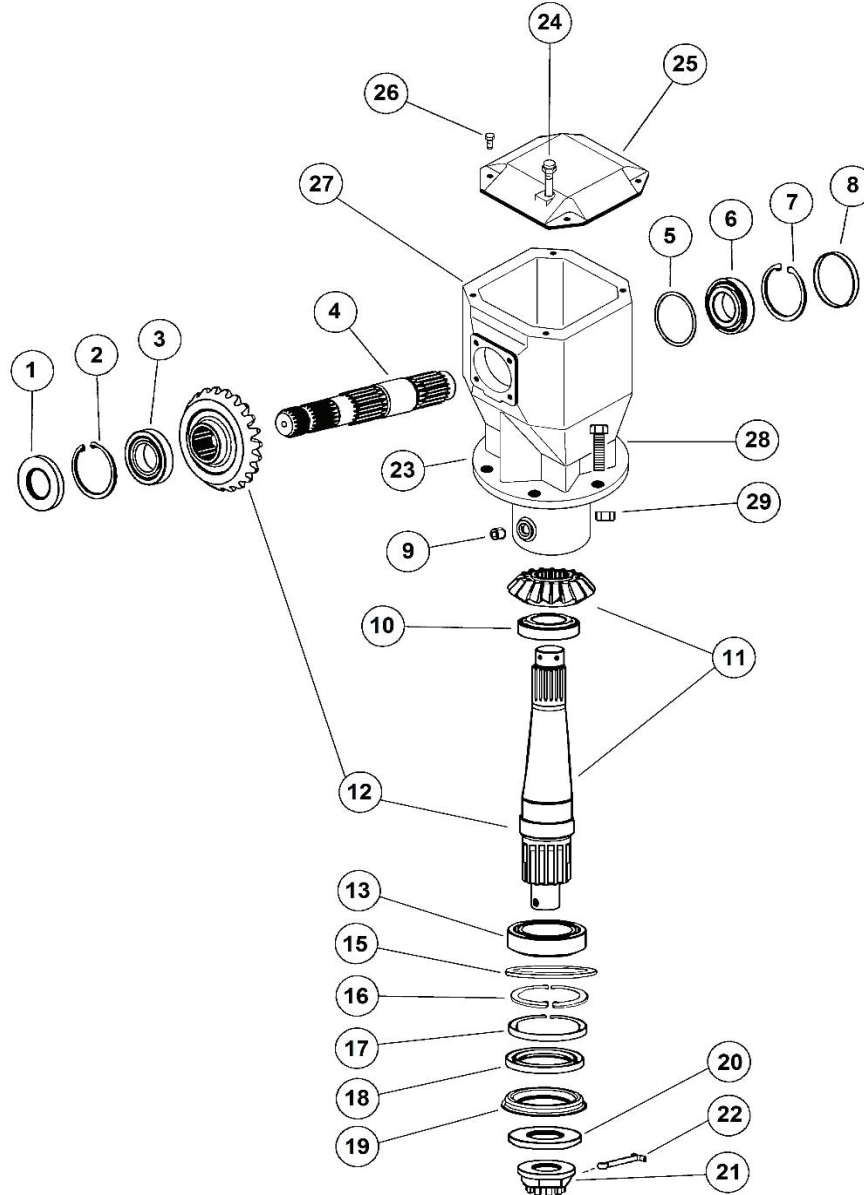
<u>Key</u>	<u>Schulte #</u>	<u>Bondioli #</u>	<u>Description</u>	<u>Qty. Used</u>
1	331-930		Housing	
2	331-931	295033804	Shaft	1
3	331-960	295034158	Shaft	2
4	331-961	298407205	Spacer	2
5	331-854	298613001	Case Plug	1
6	331-745	337000040	Snap Ring	2
7	331-962	298403005	Split Bushing	2
8	331-732	338000080	Snap Ring	2
8A	331-822	339002080	Snap Ring	2
9	331-856	339001040	Snap Ring	1
10	331-857	354101040	Bearing	1
11	331-821	354102035	Bearing	1
12	331-933	354407035	Bearing	2
13	331-858	355004045	Seal	1
14	331-824	355006035	Seal	3
16	331-801	373006000	Breather Vent	1
17	331-561	373010000	Oil Plug	1
18	331-934	*448116500	Bevel Gear Set 540 RPM	1
18	331-935	*448076501	Bevel Gear Set 1000 RPM	1
19	331-963	339000045	Snap Ring	1
20	331-723		Shim Kit	1
24	331-728	MO331-924	Shim Kit	1
28	331-936	*448116500	Crown Wheel Set 540 RPM	1
28	331-937	*448076501	Crown Wheel Set 1000 RPM	1
29	331-841	354408035	Bearing	2
30	331-964	298408008	Spacer Ring	2

SMS Power Train and Hardware
Call us today to get a quote 800-467-3370
Or email us at Parts@smspowertrain.com

For SCHULTE® XH1500 SERIES II GEAR CASE

Replacement Wing Gear Box R2 & Parts

Left Wing 540 RPM MO330-806 (15')
Center CCW 540 RPM MO330-806 (15')
Left Wing 1000 RPM MO330-808 (15')



SMS Power Train and Hardware
Call us today to get a quote 800-467-3370
Or email us at Parts@smspowertrain.com

**For SCHULTE® XH1500 SERIES II
GEAR CASE
Replacement Wing Gear Box R2 & Parts**

Left Wing 540 RPM MO330-806 (15')
Center CCW 540 RPM MO330-806 (15')
Left Wing 1000 RPM MO330-808 (15')

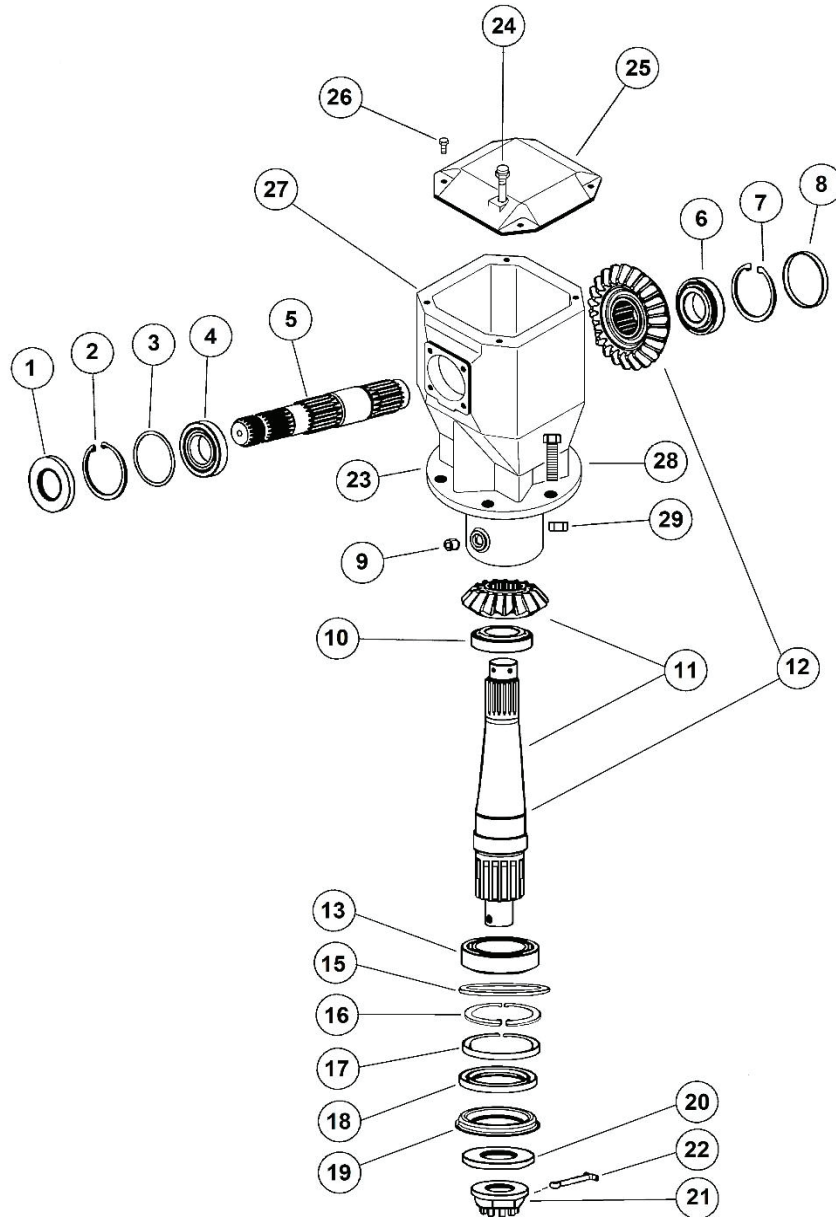
<u>Key</u>	<u>Schulte #</u>	<u>Bondioli #</u>	<u>Description</u>
1	331-824	355006035	Oil Seal A2
2	331-822	339002080	Snap Ring
3	331-841	354408035	Tapered Bearing
4	331-823	295034054	Input Shaft A2
5	331-842		Shim Kit, Input Shaft
6	331-804	354101035	Ball Bearing
7	331-806	339001072	Snap Ring
8	331-805	372003000	Cap A2
9	331-819	373005000	Oil Drain
10	331-820	354401055	Tapered Bearing
11	331-844	448150604	Shaft & Crown Set 540 RPM
	331-845		Shaft & Crown Set 1000 RPM
12	331-844	448150604	Shaft & Crown Set 540 RPM
	331-845		Shaft & Crown Set 1000 RPM
13	331-818	354401055	Tapered Bearing
14	331-815	298614000	Splined Hub
15	331-848		Shim Kit, Pinion Shaft
16	331-810	298645100	Split Shoulder Ring
17	331-811	337001070	Snap Ring
18	331-817	355001055	Oil Seal
19	331-843	298665002	Seal Lid
20	331-814	367001001	Washer
21	331-813	330002500	Slotted Hex Nut
22	331-812	MO190250	Cotter Pin
23	331-809		Housing A2
24	331-801	373006000	Oil Plug
25	331-802	190650000	Cover
26	331-826	319019200	Hex Screws
27	331-803	298630000	Gasket
28	250-088	MO63250	5/8 X 2-1/2 UNC Bolt
29	270-004	MO63CC	5/8 UNC LOCK Nut

SMS Power Train and Hardware
Call us today to get a quote 800-467-3370
Or email us at Parts@smspowertrain.com

For SCHULTE® XH1000 & XH1500 SERIES II GEAR CASE

Replacement Wing Gear Box F2 & Parts

Right Wing 540 RPM MO330-805 (10' & 15')
Center CW 540 RPM MO330-805 (10' & 15' DOT)
Right Wing 1000 RPM MO330-807 (10' & 15')



SMS Power Train and Hardware
Call us today to get a quote 800-467-3370
Or email us at Parts@smspowertrain.com

For SCHULTE® XH1000 & XH1500 SERIES II GEAR CASE

Replacement Wing Gear Box F2 & Parts

Right Wing 540 RPM MO330-805 (10' & 15')

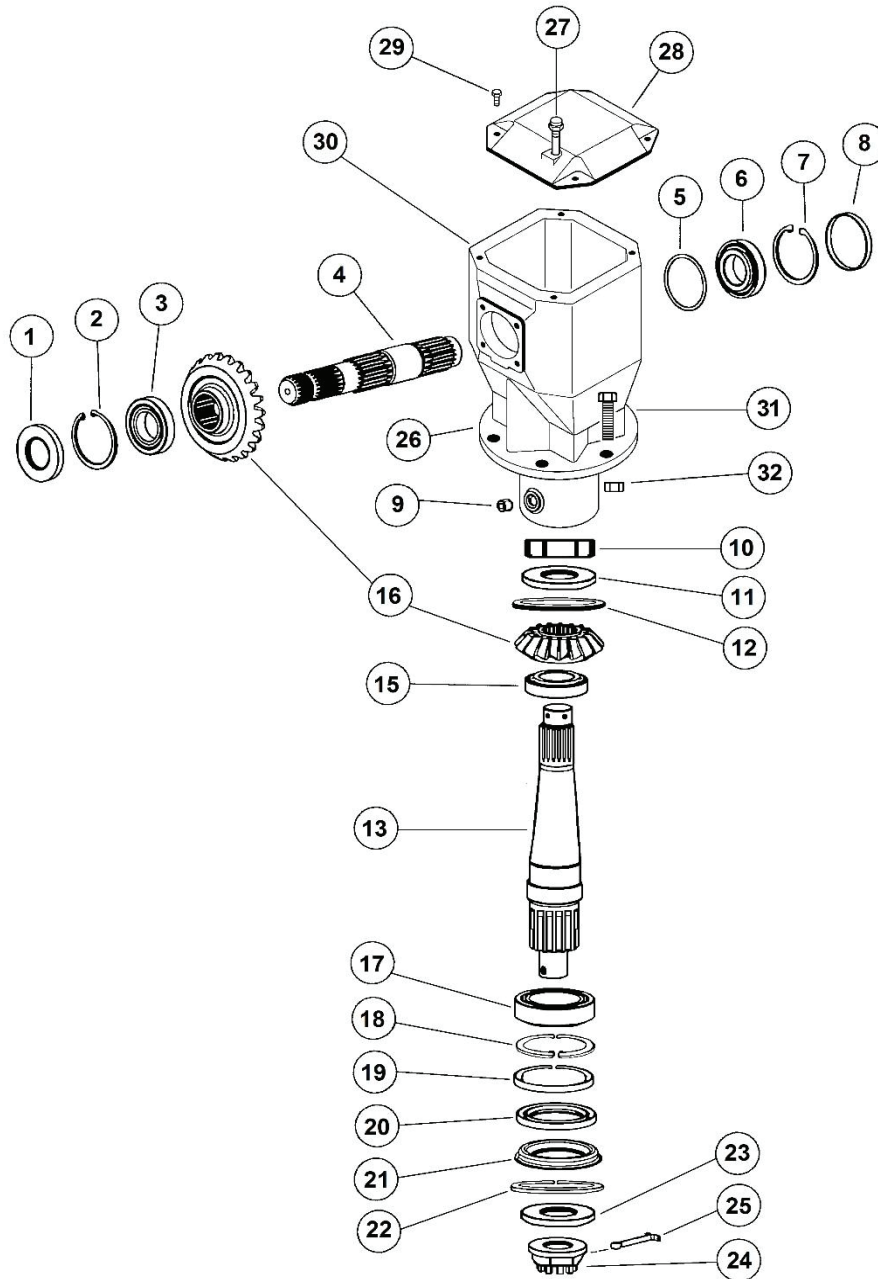
Center CW 540 RPM MO330-805 (10' & 15' DOT)

Right Wing 1000 RPM MO330-807 (10' & 15')

<u>Key</u>	<u>Schulte #</u>	<u>Bondioli #</u>	<u>Description</u>
1	331-830	355007035	Oil Seal B2
2	331-806	339001072	Snap Ring
3	331-842		Shim Kit, Input Shaft
4	331-804	354101035	Ball Bearing
5	331-829	295034060	Input Shaft B2
6	331-841	354408035	Tapered Bearing
7	331-822	339002080	Snap Ring
8	331-827	372005000	Cap B2
9	331-819	373005000	Oil Drain
10	331-820	354401055	Tapered Bearing
11	331-844	448150604	Shaft & Crown Set 540 RPM
	331-845		Shaft & Crown Set 1000 RPM
12	331-844	448150604	Shaft & Crown Set 540 RPM
	331-845		Shaft & Crown Set 1000 RPM
13	331-818	354401055	Tapered Bearing
14	331-815	298614000	Splined Hub
15	331-848		Shim Kit, Pinion Shaft
16	331-810	298645100	Split Shoulder Ring
17	331-811	337001070	Snap Ring
18	331-817	355001055	Oil Seal
19	331-843	298665002	Seal Lid
20	331-814	367001001	Washer
21	331-813	330002500	Slotted Hex Nut
22	331-812	MO190250	Cotter Pin
23	331-828		Housing B2
24	331-801	373006000	Oil Plug
25	331-802	190650000	Cover
26	331-826	319019200	Hex Screws
27	331-803	298630000	Gasket
28	250-088	MO63250	5/8 X 2-1/2 UNC Bolt
29	270-004	MO63CC	5/8 UNC LOCK Nut

SMS Power Train and Hardware
Call us today to get a quote 800-467-3370
Or email us at Parts@smspowertrain.com

**For SCHULTE® XH1500 SERIES II
GEAR CASE
Replacement Center Gear Box R2 & Parts
Center CCW 1000 RPM MO330-809 (15')**



SMS Power Train and Hardware
Call us today to get a quote 800-467-3370
Or email us at Parts@smspowertrain.com

**For SCHULTE® XH1500 SERIES II
GEAR CASE
Replacement Center Gear Box R2 & Parts**

Center CCW 1000 RPM MO330-809 (15')

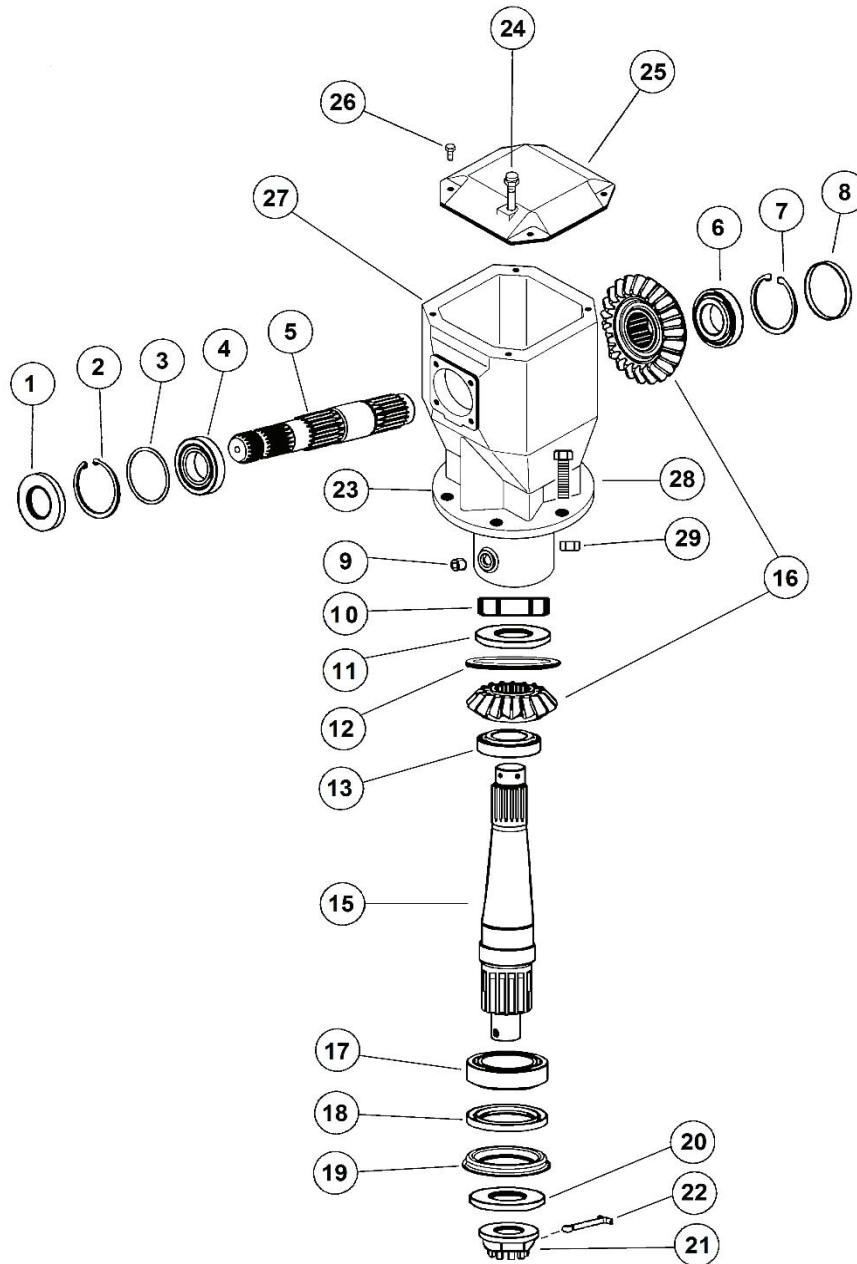
<u>Key</u>	<u>Schulte #</u>	<u>Bondioli #</u>	<u>Description</u>
1	331-824	355006035	Oil Seal A2
2	331-822	339002080	Snap Ring
3	331-841	354408035	Tapered Bearing
4	331-823	295034054	Input Shaft A2
5	331-842		Shim Kit, Input Shaft
6	331-804	354101035	Ball Bearing
7	331-806	339001072	Snap Ring
8	331-805	372003000	Cap A2
9	331-819	373005000	Oil Drain
10	331-835	330040000	Locking Nut
11	331-837	335040000	Locking Washer
12	331-839	298404004	Spacer
13	331-833		Pinion Shaft 1000 RPM
14	331-815	298614000	Splined Hub
15	331-820	354401055	Tapered Bearing
16	331-847		Shaft & Crown Set 1000 RPM
17	331-818	354401055	Tapered Bearing
18	331-810	298645100	Split Shoulder Ring
19	331-811	337001070	Snap Ring 20 331-817
20	355001055		Oil Seal
21	331-843	298665002	Seal Lid
22	331-840		Snap Ring (optional) 23
23	331-814	367001001	Washer
24	331-813	330002500	Slotted Hex Nut
25	331-812	MO190250	Cotter Pin
26	331-809		Housing A2
27	331-801	373006000	Oil Plug 28
28	331-802	190650000	Cover
29	331-826	319019200	Hex Screws
30	331-803	298630000	Gasket
31	250-088	MO63250	5/8 X 2-1/2 UNC Bolt
32	270-004	MO63CC	5/8 UNC LOCK Nut

SMS Power Train and Hardware
Call us today to get a quote 800-467-3370
Or email us at Parts@smspowertrain.com

For SCHULTE® XH1000 & XH1500 SERIES II GEAR CASE

Replacement Center Gear Box F2 & Parts

Center CW 1000 RPM MO330-810 (10' & 15' DOT)



SMS Power Train and Hardware
Call us today to get a quote 800-467-3370
Or email us at Parts@smspowertrain.com

**For SCHULTE® XH1000 & XH1500 SERIES II
GEAR CASE**

Replacement Center Gear Box F2 & Parts

Center CW 1000 RPM MO330-810 (10' & 15' DOT)

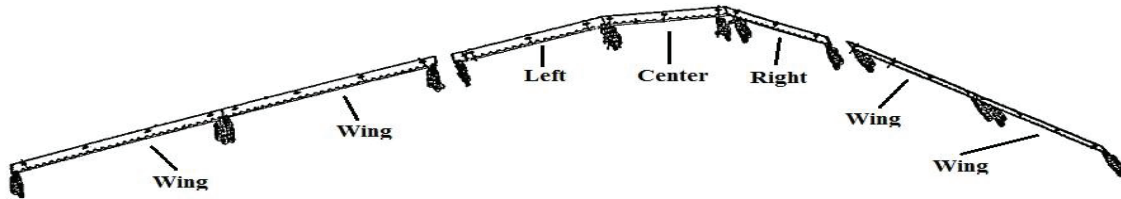
<u>Key</u>	<u>Schulte #</u>	<u>Bondioli #</u>	<u>Description</u>
1	331-830	355007035	Oil Seal B2
2	331-806	339001072	Snap Ring
3	331-842		Shim Kit, Input Shaft
4	331-804	354101035	Ball Bearing
5	331-829	295034060	Input Shaft B2
6	331-841	354408035	Tapered Bearing
7	331-822	339002080	Snap Ring
8	331-827	372005000	Cap B2
9	331-819	373005000	Oil Drain
10	331-835	330040000	Locking Nut
11	331-837	335040000	Locking Washer 12
12	331-839	298404004	Spacer
13	331-820	354401055	Tapered Bearing
14	331-815	298614000	Splined Hub
15	331-833		Pinion Shaft 1000 RPM
16	331-847		Shaft & Crown 1000 RPM
17	331-818	354401055	Tapered Bearing
18	331-817	355001055	Oil Seal
19	331-843	298665002	Seal Lid 20
20	331-814	367001001	Washer
21	331-813	330002500	Slotted Hex Nut 22
22	331-812	MO190250	Cotter Pin
23	331-809		Housing B2
24	331-801	373006000	Oil Plug
25	331-802	190650000	Cover
26	331-826	319019200	Hex Screws
27	331-803	298630000	Gasket
28	250-088	MO63250	5/8 X 2-1/2 UNC Bolt
29	270-004	MO63CC	5/8 UNC LOCK Nut

SMS Power Train and Hardware
Call us today to get a quote 800-467-3370
Or email us at Parts@smspowertrain.com

For SCHULTE® XH1000 & XH1500 SERIES II CHAIN GUARDS

Replacement Chain Guards

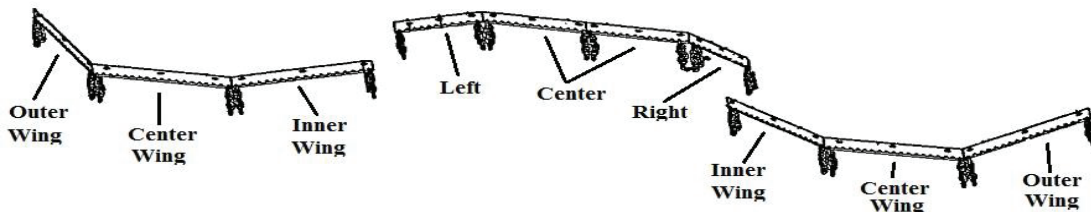
Front



<u>Part #</u>	<u>Description</u>	<u>Qty. Used</u>	<u>Bolt Qty.</u>
MOC301-551	Chain Guard Front Main Frame Center	1	3
MOC301-552	Chain Guard Front Main Frame Right & Left	2	3
MOC301-555	Chain Guard Front Wing	4	4

Replacement Chain Guards

Rear

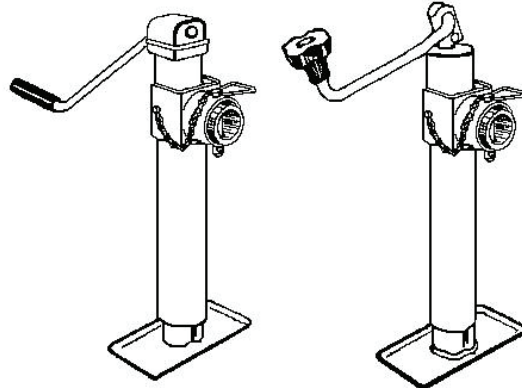


<u>Part #</u>	<u>Description</u>	<u>Qty. Used</u>	<u>Bolt Qty.</u>
MOC301-553	Chain Guard Rear Main Frame Center	2	3
MOC301-554	Chain Guard Rear Main Frame Right & Left	2	3
MOC301-556	Chain Guard Rear Wing Inner	2	3
MOC301-557	Chain Guard Rear Wing Center	2	3
MOC301-558	Chain Guard Rear Wing Outer	2	3

SMS Power Train and Hardware
 Call us today to get a quote 800-467-3370
 Or email us at Parts@smspowertrain.com

**For SCHULTE® XH1000 & XH1500 SERIES II JACKS
& SAFETY CHAIN Replacement Heavy Duty
Jacks & Safety Chains**

Jacks



Sidewind

Topwind

Part #

Description

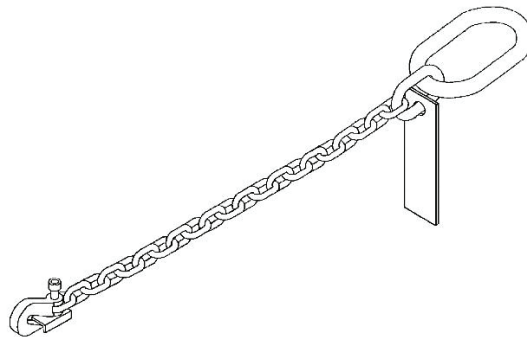
MO300HD

Heavy Duty Jack (Top Crank)

MO5000HDS

Heavy Duty Jack (Side Crank)

Safety Chain



Part #

Description

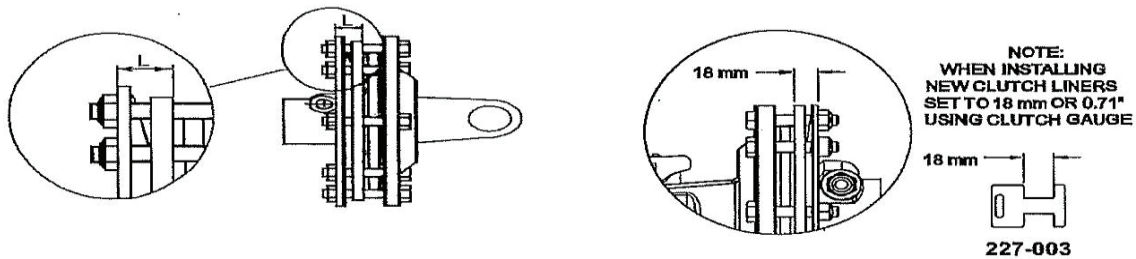
MOS000-011

Safety Chain

Note: The safety chain will help the rotary cutter should it accidentally separate from the drawbar. **Do Not Use** the safety chain for towing. Replace the entire chain if any link or end fitting is broken damaged or stretched. 10,000 lbs capacity, 59" minimum length.

SMS Power Train and Hardware
Call us today to get a quote 800-467-3370
Or email us at Parts@smspowertrain.com

Clutch Settings



Bondioli Clutch Settings

FV42 Clutch (Wing Shafts) 1200 nm

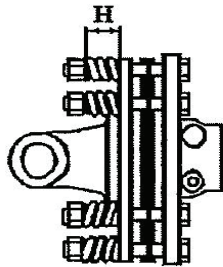
*The spring height L needs measured near each bolt
(18.5 mm or .71" with a tolerance + or - .4 mm)*

FV32 Clutch (Intermediate Shaft 1000 RPM) 900 nm

*The spring height L needs measured near each bolt
(18.0 mm or .71" with a tolerance + or - .4 mm)*

FT42 Clutch (Wing Shafts) 1200 nm

The band needs to touch then back off 1 mm to let moisture out.



Bondioli	FF2 Clutch (coil spring clutch)	2 disks
	H = 27.5 mm or 1 3/32"	
Bondioli	FF3 Clutch (coil spring clutch)	4 disks
	H = 28.5 mm or 1 1/8"	
Comer	F2 Clutch (coil spring clutch)	2 disks
	H = 33.3 mm 1 11/32"	
Comer	F4 Clutch (coil spring clutch)	4 disks
	H = 34.1 mm 1 5/16"	

SMS Power Train and Hardware
Call us today to get a quote 800-467-3370
Or email us at Parts@smspowertrain.com

Clutch Lining Sizes

Lining Size			
Inside	Outside	Moore #	
3 13/16" 97 mm	6 5/16" 160 mm	247000061	Bondioli
3 13/16" 97 mm	6 5/16" 160 mm	MO31971	Eurocardan
3 3/8" 85 mm	6 3/8" 162 mm	247006351	Bondioli
3 3/8" 85 mm	5 1/2" 140 mm	247000054	Bondioli
3 5/8" 91 mm	5 15/16" 152 mm	MO1711	Comer/Walterscheid
3" 77 mm	5 9/16" 142 mm	247006251	Bondioli
3 7/8" 100 mm	7" 178 mm	MO581060003	Walterscheid
4" 102 mm	6 1/4" 158 mm	19459	Woods

SMS Power Train and Hardware
 Call us today to get a quote 800-467-3370
 Or email us at Parts@smspowertrain.com

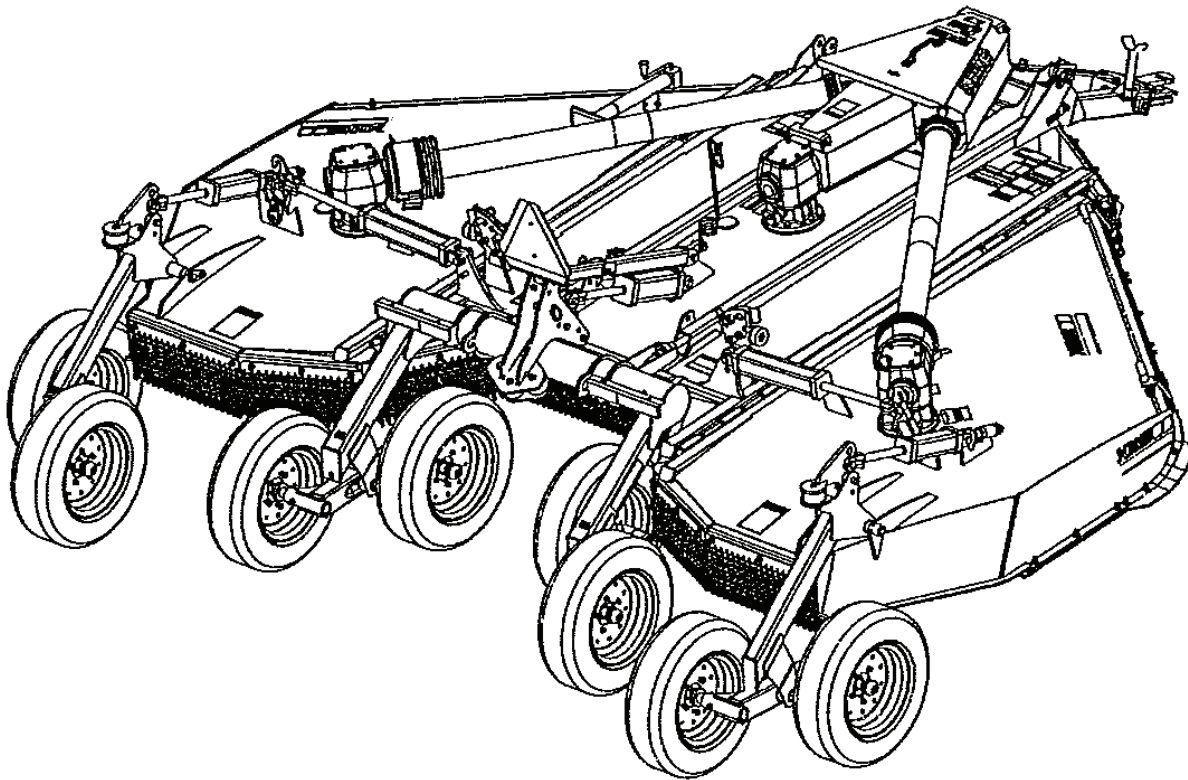
Manufactures Cross Reference

Manufacture	Part #	Moore #	
Alamo	00754202	MO1711	<i>Comer</i>
Alamo	8366	MO1711	<i>Walterscheid</i>
Schulte	341-631	247000061	<i>Bondioli</i>
Schulte	341-6247	247006351	<i>Bondioli</i>
Schulte	341-6228	247006251	<i>Bondioli</i>
Schulte	341-722	247000054	<i>Bondioli</i>
Schulte	341-3501	247000061	<i>Bondioli</i>
Schulte	341-6513	MO1711	<i>Eurogiunti</i>
Schulte	341-6547	247006251	<i>Eurogiunti</i>
Bush Whacker	1711	MO1711	<i>Comer</i>
Bush Whacker	3963	247006251	<i>Bondioli</i>
Bush Hog	91560	247000061	<i>Bondioli</i>
Bush Hog	91561	247000054	<i>Bondioli</i>
Bush Hog	76083	MO1711	<i>Comer</i>
Land Pride	1808010	MO31971	<i>Eurogiunti</i>
Land Pride	168556	MO1711	<i>Walterscheid</i>
Rhino	00754202	MO1711	<i>Comer</i>
Rhino	0581060003	MO581060003	<i>Walterscheid</i>
John Deere	W44285	247006251	<i>Bondioli</i>
John Deere	W34913	MO1711	<i>Walterscheid</i>
Woods	19459	19459	

SMS Power Train and Hardware
 Call us today to get a quote 800-467-3370
 Or email us at Parts@smspowertrain.com

SCHULTE®

XH1000 & XH1500 Series III Rotary Cutter Replacement Parts



SMS Power Train and Hardware
Call us today to get a quote 800-467-3370
Or Email us at Parts@smspowertrain.com

SCHULTE®

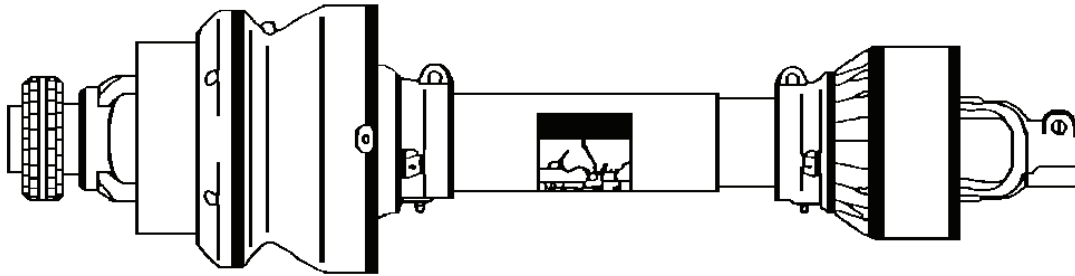
Series III

This Page

Intentionally Blank

SMS Power Train and Hardware
Call us today to get a quote 800-467-3370
Or Email us at Parts@smspowertrain.com

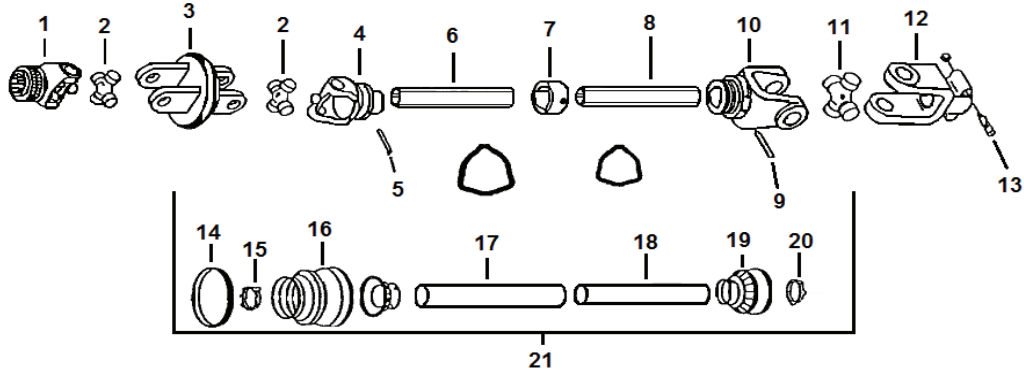
**For SCHULTE® XH1500 SERIES III
CV MAIN DRIVESHAFT
TRACTOR TO MOWER CV REPLACEMENT DRIVESHAFT
540 RPM/1000 RPM**



<u>Part #</u>	<u>Description</u>
MO3954	Complete Main Driveshaft- CV (Bondioli) <u>540 RPM</u> 1 3/8"-6 Spline Tractor- 1 3/4"-20 Spline Splitter Box 56" (Replaces Schulte's 4 lobe shaft)
MO3990	Complete Main Driveshaft- CV (Bondioli) <u>1000 RPM</u> 1 3/8"-21 Spline Tractor-1 3/4"-20 Spline Splitter Box 51.5"

SMS Power Train and Hardware
Call us today to get a quote 800-467-3370
Or Email us at Parts@smspowertrain.com

For SCHULTE® XH1500 SERIES III
CV DRIVESHAFT
Replacement Parts for MO3954 CV Driveshaft (Bondioli)
540 RPM Triangle Tubes
(One Piece “Accordion” Style CV Bell)

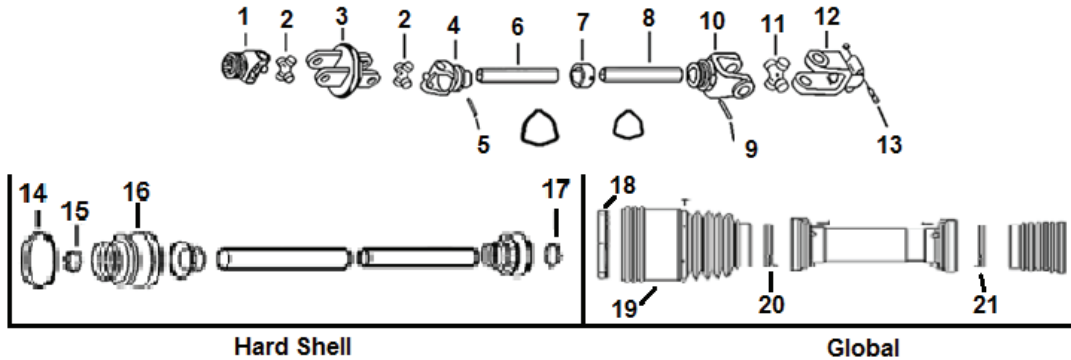


<u>Key</u>	<u>Part #</u>	<u>Description</u>
	MO3954	COMPLETE DRIVESHAFT
1	5730L0384	Tractor CV QD Yoke 1 3/8 – 6 spline
2	4120L0051	Cross Kit CV (2)
3	5110L0063	CV body
4	2150L6873	Outer Tube Yoke CV
5	341054000	Roll Pin Outer Yoke 12 x 90m
6	224320810	Outer Tube 32”
7	259006803	Grease Collar
8	245390820	Inner Tube RILSAN 32 1/4”
9	341055000	Roll Pin Inner Yoke 12 x 75m
10	204086888	Inner Tube Yoke
11	4120M0011	Cross Kit
12	5090M3860	Impl. Yoke – taper pin 1 3/4-20 spline
13	408000076	Taper pin
14	2550L0023	CV Shield Bearings
15	255080005	Outer Shield Bearings
16	517080200	CV Shield
17	236850738	Outer Shield Tube
18	2370084F4	Inner Shield Tube
19	517080120	Shield Cone
20	255080006	Inner Shield Bearing
21	MO5535	Complete CV Shield Kit

SMS Power Train and Hardware
 Call us today to get a quote 800-467-3370
 Or Email us at Parts@smspowertrain.com

**For SCHULTE® XH1500 SERIES III
CV DRIVESHAFT**

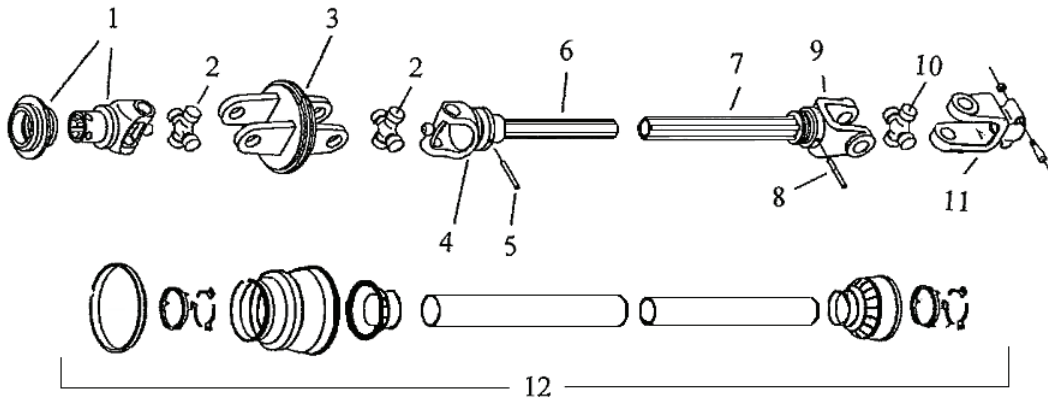
**Replacement Parts for MO3990 CV Driveshaft (Bondioli)
1000 RPM Triangle Tubes
(One Piece “Accordion” Style CV Bell)**



<u>Key</u>	<u>Part #</u>	<u>Description</u>
	MO3990	COMPLETE DRIVESHAFT
1	5730G3784	Tractor CV QD Yoke 1 3/8 – 21 spline
2	4120G0051	Cross Kit CV (2)
3	5110G0061	CV body
4	2150G6885	Outer Tube Yoke CV
5	341042000	Roll Pin Outer Yoke
6	225270840	Outer Tube
7	259006803	Grease Collar
8	245160840	Inner Tube RILSAN
9	341043000	Roll Pin Inner
10	204066852	Inner Tube Yoke
11	4120H0011	Cross Kit
12	5090H3860	Impl. Yoke – taper pin
13	408000076	Taper pin
14	2550G0024	CV Shield Bearings
15	255060005	Outer Shield Bearings
16	2190G0150	CV Shield
17	255060006	Inner Shield Bearing
18	2550G0024	CV Shield Bearing (Global)
19	219051401	CV Shield (Global)
20	255071002	Outer Shield Bearing (Global)
21	255071001	Inner Shield Bearing (Global)
	MO5522	Complete CV Shield Kit (Hard Shell Shield Cones)
	MO5525	Complete CV Shield Kit (Global) Flexible Shield Cones

SMS Power Train and Hardware
Call us today to get a quote 800-467-3370
Or Email us at Parts@smspowertrain.com

For SCHULTE® XH1500 SERIES III
CV DRIVESHAFT
Replacement CV Driveshaft & Parts
340-850 SFT (4 Lobe) S8
540 RPM

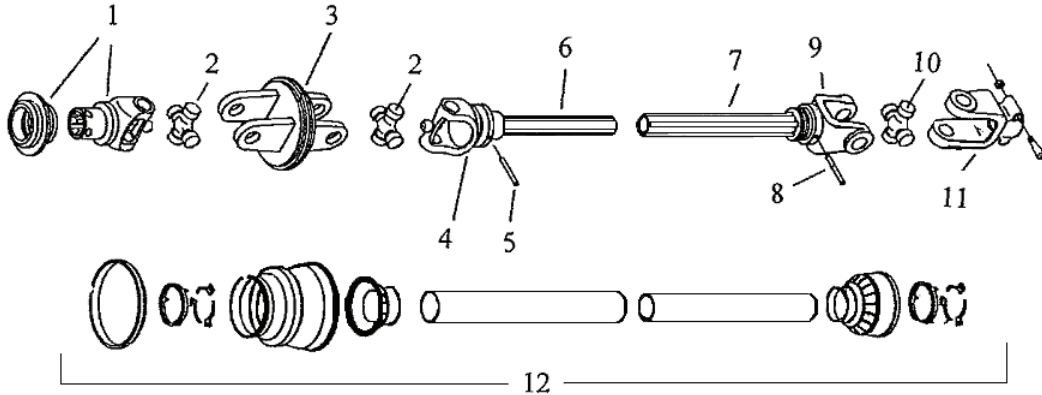


MO3954 COMPLETE REPLACEMENT CV DRIVE SHAFT 540 RPM

<u>Key</u>	<u>Part #</u>	<u>Description</u>
1	341-80046 5730L0384	Tractor CV QD yoke 1 3/8 – 6 spline
2	341-80047 4120L0051	Cross Kit CV (2)
3	341-80045 5110L0063	CV Body
4	341-80048 2150L6871	Yoke, Outer Tube
5	341-80074 341103000	Roll Pin
6	341-80055 237D03T58	Outer Cardan Tube
7	341-80056 2454D0850	Inner Cardan Tube
8	341-80007 341053000	Roll Pin
9	341-80008 204S86854	Yoke, Inner Tube
10	341-80002 4120L0012	Cross Kit
11	341-80070 5090L3860	Yoke, Impl. 1 3/4-20 spline
12	341-80067 MO5085	CV Shield Kit

SMS Power Train and Hardware
 Call us today to get a quote 800-467-3370
 Or Email us at Parts@smspowertrain.com

For SCHULTE® XH1500 SERIES III
CV DRIVESHAFT
Replacement Driveshaft & Parts
340-870 SFT (4 Lobe) H8
540 RPM



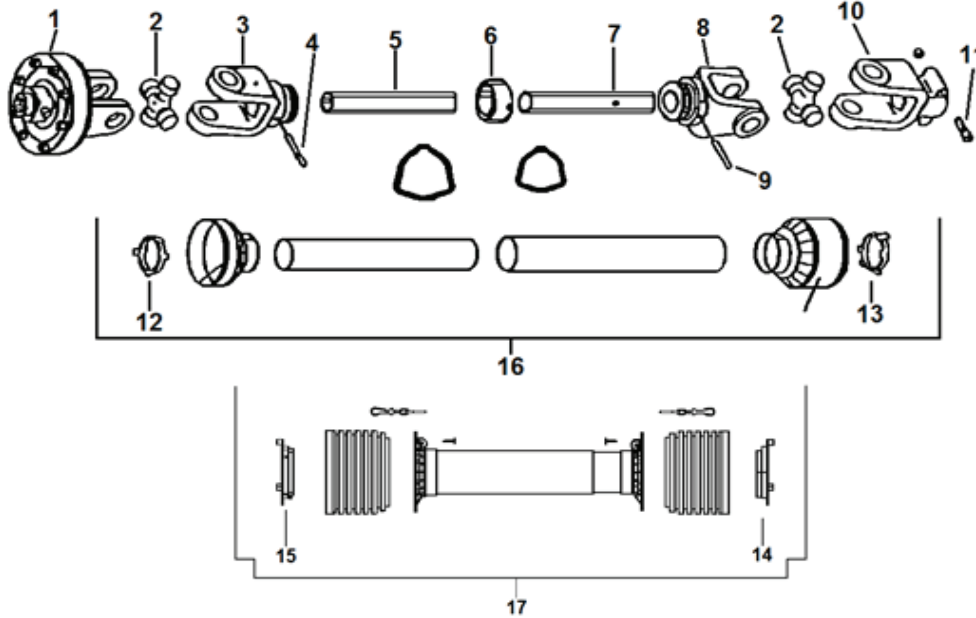
MO3954 COMPLETE REPLACEMENT CV DRIVE SHAFT 540 RPM

<u>Key</u>	<u>Part #</u>	<u>Description</u>
1	341-80046 5730L0384	Tractor CV QD yoke 1 3/8 – 6 spline
2	341-80047 4120L0051	Cross Kit CV (2)
3	341-80045 5110L0063	CV Body
4	341-80130 2150L6867	Yoke, Outer Tube H8
5	341-80074 341103000	Roll Pin
6	341-80131 237D03X21R	Outer Cardan Tube H8
7	341-80132 2453V0850R	Inner Cardan Tube H8
8	341-80007 341053000	Roll Pin
9	341-80076 2040L6866	Yoke, Inner Tube H8
10	341-80002 4120L0012	Cross Kit
11	341-80070 5090L3860	Yoke, Impl. 1 3/4-20 spline
12	341-80067 MO5085	CV Shield Kit

For SCHULTE® XH1500 SERIES III
WING SHAFT W/CLUTCH

SMS Power Train and Hardware
 Call us today to get a quote 800-467-3370
 Or Email us at Parts@smspowertrain.com

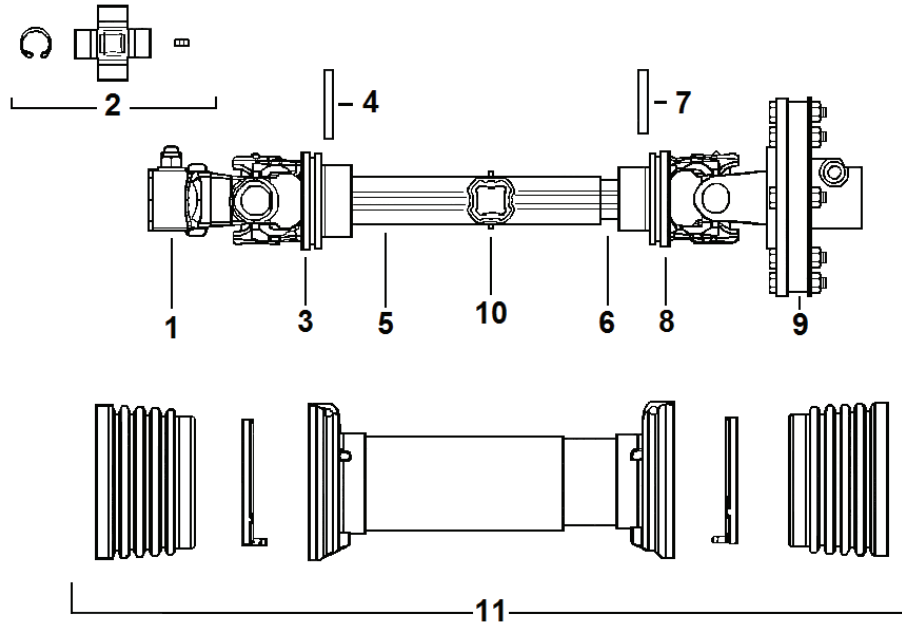
MO4940 (Bondioli) Replacement Wing Shaft & Parts Triangle Drive Tubes



<u>Key</u>	<u>Part #</u>	<u>Description</u>
	MO4940	COMPLETE WING SHAFT
1	MO9980	Complete Clutch Belleville Spring 1 3/4" – 20 spline
2	4120H0011	Cross Kit (2)
3	204066852	Inner Tube Yoke
4	341043000	Roll Pin Inner Tube Yoke
5	270161250	Inner Tube Heat Treated
6	259006802	Grease Collar
7	224211200	Outer Tube
8	204066851	Outer Tube Yoke
9	341042000	Roll Pin Outer Tube Yoke
10	5090H3860	Impl. Yoke Taper Pin 1 3/4" – 20 spline
11	408000076	Taper Pin
12	255060006	Inner Shield Bearing
13	255060005	Outer Shield Bearings
14	255071001	Inner Shield Bearing (Global) Flexible Shield Cones
15	255071002	Outer Shield Bearing (Global) Flexible Shield Cones
16	MO4540	Complete Wing Shield Kit (Hard Shell Shield Cones)
17	MO4555	Complete Wing Shield Kit (Global) Flexible Shield Cones

SMS Power Train and Hardware
Call us today to get a quote 800-467-3370
Or Email us at Parts@smspowertrain.com

**For SCHULTE® XH1500 SERIES III
WING SHAFT W/CLUTCH
Replacement Wing Shaft w/Clutch & Parts
SFT (4 Lobe Drive Tubes)**

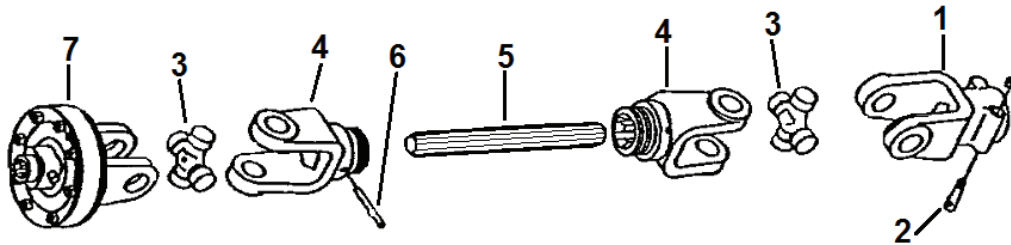


MO4940 COMPLETE REPLACEMENT WING SHAFT

<u>Key</u>	<u>Part #</u>	<u>Description</u>
1	341-60010 5090G3860	Impl. Yoke Taper Pin 1 3/4" – 20 spline
2	341-60008 4120G0012	Cross Kit (2)
3	341-60072 204S66853	Outer Tube Yoke, 4 lobe
4	341-80007 341053000	Roll Pin Outer Tube Yoke
5	341-60073 2253P1280	Outer Tube, 4 lobe
6	341-60074 2253N0915	Inner Tube, 4 lobe
7	341-616 341043000	Roll Pin Inner Tube Yoke
8	341-60006 204S66854	Inner Tube Yoke, 4 lobe
9	341-60067 MO9995	Slip Clutch 1 3/4" – 20 spline
10	341-8086 348018000	Grease fitting
	341-60065 MO9995	Slip Clutch FT42 SFT 6 1200Mn
	MO9992 MO9992	Slip Clutch FV42 SFT 6 1200Mn (adjustable)
11	MO4550	Complete Wing Shield Kit

SMS Power Train and Hardware
Call us today to get a quote 800-467-3370
Or Email us at Parts@smspowertrain.com

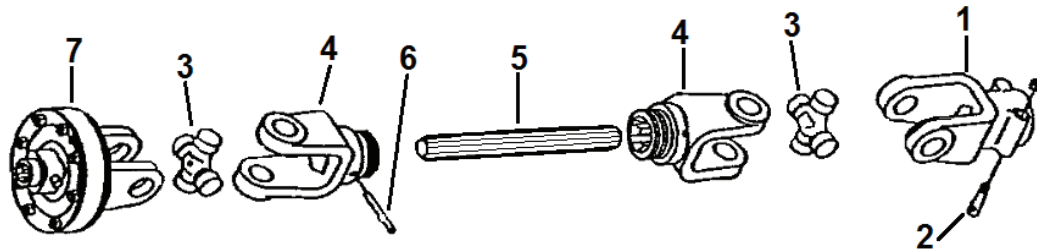
**For SCHULTE® XH1500 SERIES III
INTERMEDIATE SHAFT
340-6155 (Bondioli) Replacement Intermediate Shaft & Parts
SFT with Band Clutch
540 RPM**



<u>Key</u>	<u>Part #</u>	<u>Description</u>
MO340-6155 COMPLETE INTERMEDIATE ASSEMBLY		
1	341-60010	5090G3860 Yoke 1 3/4 – 20 spline SFT
2	341-802	408000076 Tapered Bolt SFT
3	341-60006	4120G0012 Cross Kit (2) SFT
4	341-60069	2040G3351 Splined Yoke (2) SFT
5	341-60068	MO341-6071 Splined Shaft SFT
6	341-608	345001000 Roll Pin SFT
7	341-60065	MO9995 FT42 Clutch 1 3/4 - 20 spline

SMS Power Train and Hardware
Call us today to get a quote 800-467-3370
Or Email us at Parts@smspowertrain.com

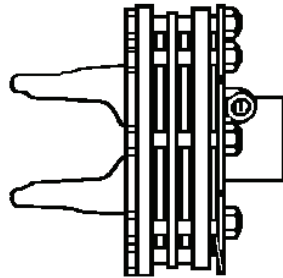
**For SCHULTE® XH1500 SERIES III
INTERMEDIATE SHAFT
MO340-6155 (Bondioli) Replacement Intermediate Shaft & Parts
With Adjustable Clutch
540 RPM**



<u>Key</u>	<u>Part #</u>	<u>Description</u>
	MO340-6155	COMPLETE INTERMEDIATE ASSEMBLY
1	5090H3860	Yoke 1 3/4 – 20 spline
2	408000076	Tapered Bolt
3	4120H0011	Cross Kit (2)
4	204063361	Splined Yoke (2)
5	MO341-6071	Splined Shaft
6	345001000	Roll Pin
7	MO9980	FV42 Clutch 1 3/4 - 20 spline

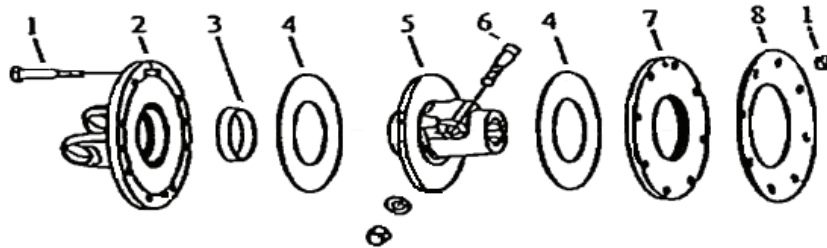
SMS Power Train and Hardware
Call us today to get a quote 800-467-3370
Or Email us at Parts@smspowertrain.com

**For SCHULTE® XH1500 SERIES III
FV42 CLUTCH
MO9980 (Bondioli) Replacement Clutch & Parts
(Belleville Spring)**



<u>Part #</u>	<u>Description</u>
MO9980	FV42 Complete Clutch Size 6 1/4" - 20 spline

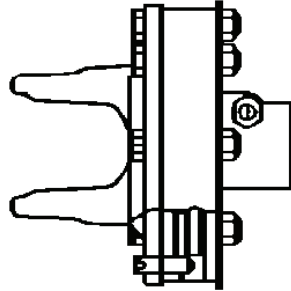
FV42 Clutch Parts



<u>Key</u>	<u>Part #</u>	<u>Description</u>	<u>Qty. Used</u>
1	432000054	Bolt w/lock nut	8
2	253069001	Flange yoke size 6	1
3	258005320	Bushing	1
4	247006351	Lining 3 3/8 x 6 3/8"	2
5	515873805	Hub 1 3/4" 20 spline	1
6	408000076	Taper bolt 1 3/4"	1
7	248870005	Inner plate	1
8	367009870	Belleville spring 4.5mm	1

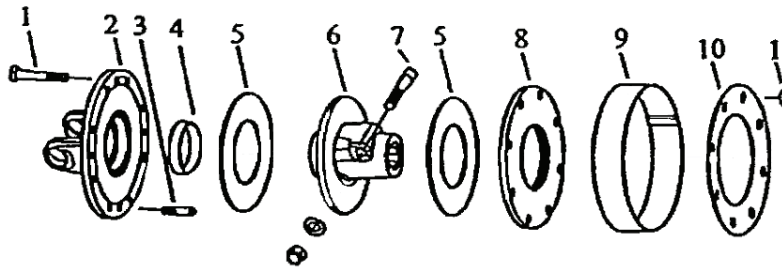
SMS Power Train and Hardware
Call us today to get a quote 800-467-3370
Or Email us at Parts@smspowertrain.com

**For SCHULTE® XH1500 SERIES III
FT42R SFT CLUTCH
MO9995 (Bondioli) Replacement Clutch & Parts
(Belleville Spring w/Clutch Band)**



<u>Part #</u>	<u>Description</u>
MO9995	FT42R SFT (4 Lobe) Complete Clutch Size S6 1 3/4" – 20 spline

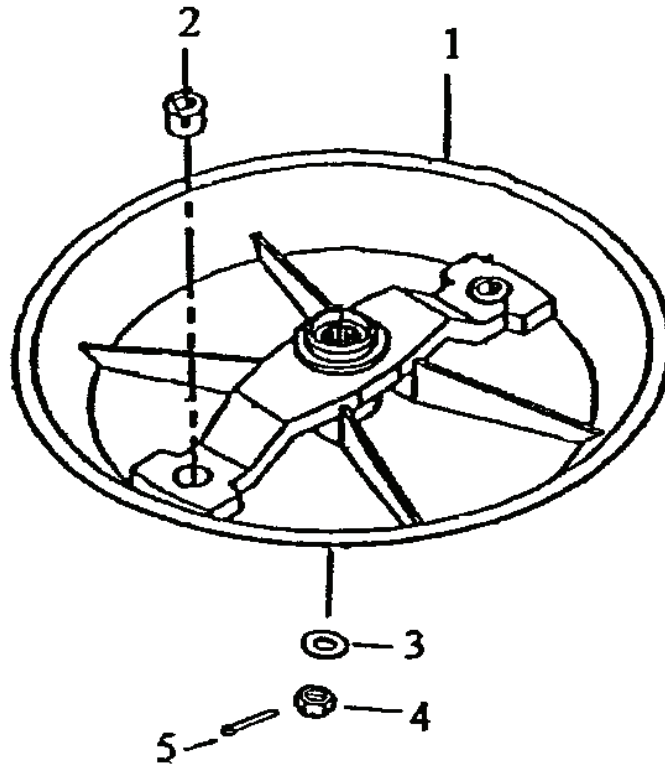
FT42R SFT Clutch Parts



<u>Key</u>	<u>Part #</u>	<u>Description</u>	<u>Qty. Used</u>
1	432000054	Bolt w lock nut	8
2	253058701	Flange yoke size S6	1
3	310001300	Socket head screw	4
4	258005320	Bushing	1
5	247006351	Lining 3 3/8 x 6 3/8"	2
6	515873805	Hub 1 3/4" - 20 spline	1
7	408000076	Taper bolt 1 3/4"	1
8	248870005	Inner plate	1
9	240000214	Outer band	1
10	367FT420A	Belleville spring	1

SMS Power Train and Hardware
Call us today to get a quote 800-467-3370
Or Email us at Parts@smspowertrain.com

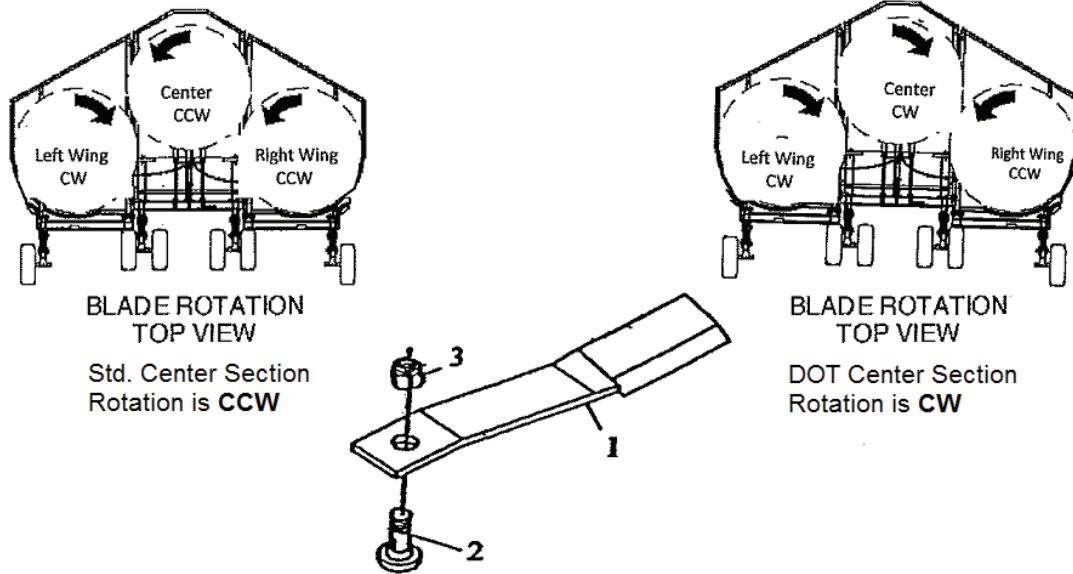
**For SCHULTE® XH1500 SERIES III
BLADE PAN
Replacement Blade Pans & Parts
(Pentagon Blade Bolts)**



<u>Key</u>	<u>Part #</u>	<u>Description</u>
1	MOC303-229	Blade Carrier (Center)
	MOC303-228	Blade Carrier (Wing)
2	251-020	Bushing (Pentagon)
3	367001002	Washer (331-880)
4	330036001	Nut (331-79)
5	MO190250	Cotter Key

SMS Power Train and Hardware
Call us today to get a quote 800-467-3370
Or Email us at Parts@smspowertrain.com

**For SCHULTE® XH1500 SERIES III
BLADES
Replacement Rotary Cutter Blades & Parts**



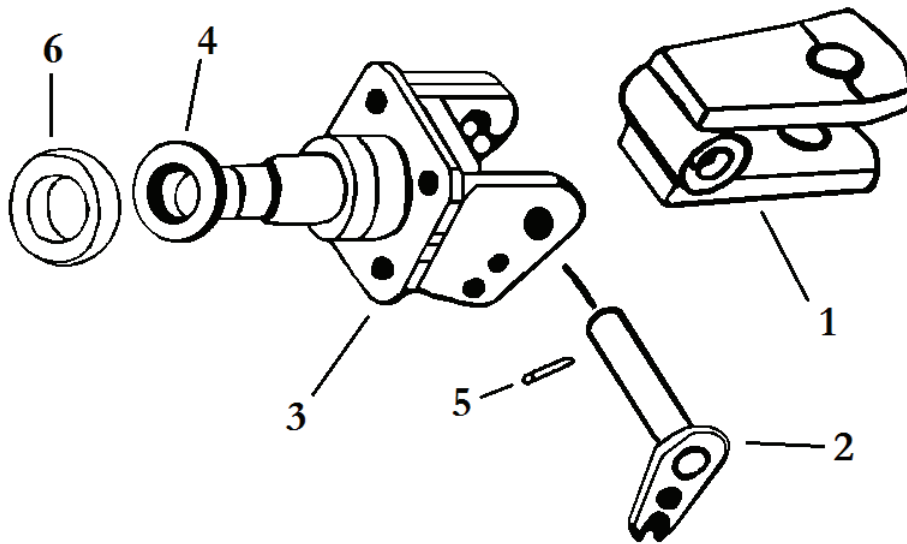
<u>Key</u>	<u>Part #</u>	<u>Description</u>	<u>Set Qty.</u>
1	MO401-046	Blade CW Left Wing DOT & Std. (Updraft)	2
	MO401-047	Blade CCW Right Wing DOT & Std. (Updraft)	2
	MO401-052	Blade CW Center DOT (Updraft)	2
	MO401-048	Blade CCW Center Std. (Updraft)	2

Optional Blades (Suction)

	MO401-026	Blade CW Left Wing DOT & Std.	2
	MO401-027	Blade CCW Right Wing DOT & Std.	2
	MO401-032	Blade CW Center DOT	2
	MO401-028	Blade CCW Center Std.	2
2	MO251-018	Bolt (Pentagon)	6
3	MO257-003	Lock Nut	6
	MO251-201	Bolt & Nut Kit	

SMS Power Train and Hardware
Call us today to get a quote 800-467-3370
Or Email us at Parts@smspowertrain.com

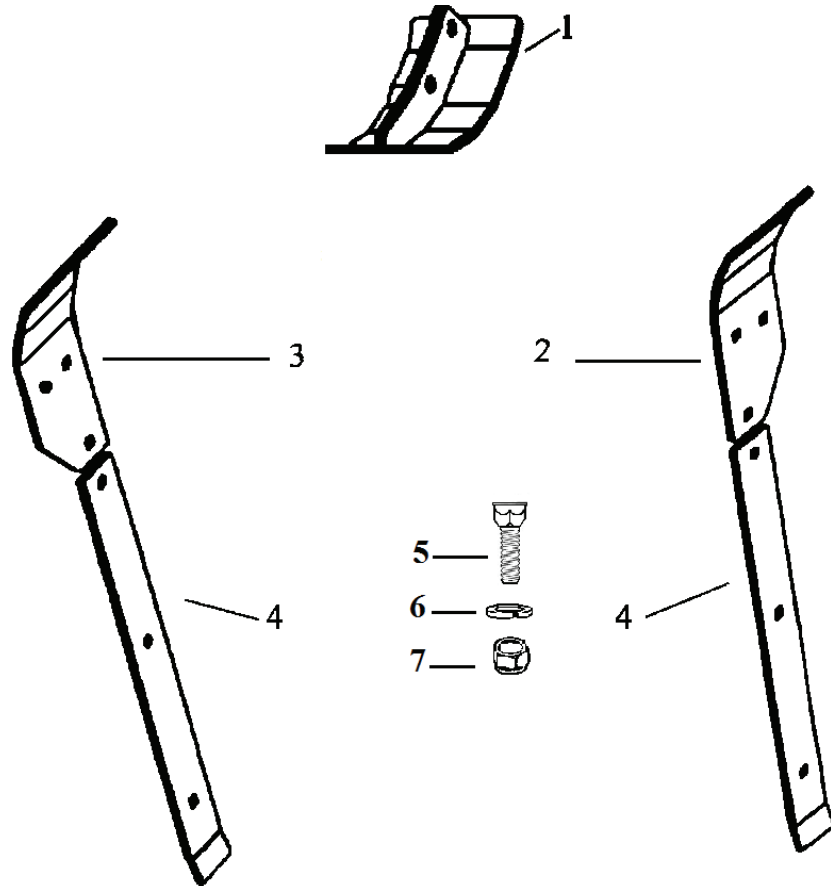
**For SCHULTE® XH1500 SERIES III
HITCH
Replacement Clevis Hitch & Parts**



<u>Key</u>	<u>Part #</u>	<u>Description</u>
1	MOCS01-106	Hitch Clevis
2	MOCS01-134	Clevis Pin
3	MOCS01-109	Hitch Swivel
4	MO256-055	Machine Bushing
5	MO262-006	Roll Pin 3/8 x 2"
6	MO362-012	Bushing

SMS Power Train and Hardware
Call us today to get a quote 800-467-3370
Or Email us at Parts@smspowertrain.com

**For SCHULTE® XH1500 SERIES III
SKID SHOES
Replacement Skid Shoes & Parts**

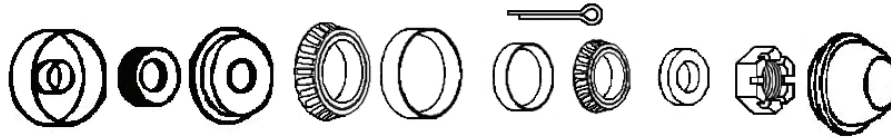


<u>Key</u>	<u>Part #</u>	<u>Description</u>	<u>Qty. Used</u>
1	MOC306-137	Skid Shoe, Center Section	2
	MO63225	Bolt	2
	MO63CC	Lock Nut	2
2	MOC502-136	Skid Shoe, Front Right Wing	1
3	MOC502-137	Skid Shoe, Front Left Wing	1
4	MOC306-136	Skid Shoe, Rear Wing	2
5	MO50150PL	Bolt	12
6	MO5100	Washer	12
7	MO50CZ	Lock Nut	12

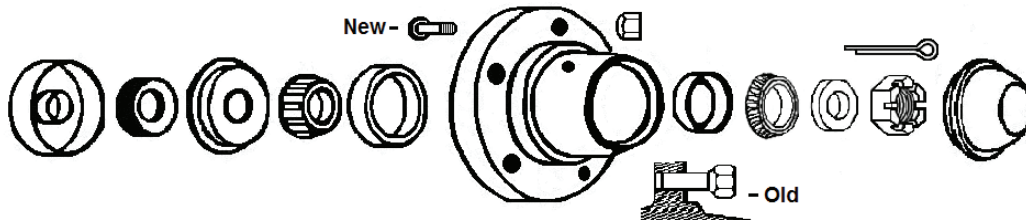
SMS Power Train and Hardware
Call us today to get a quote 800-467-3370
Or Email us at Parts@smspowertrain.com

**For SCHULTE® XH1500 SERIES III
WHEEL HUBS**

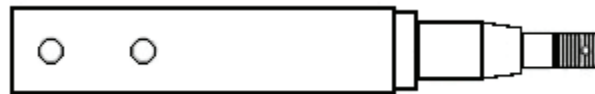
Replacement Wheel Bearings, Hubs, Spindles & Parts



<u>Part #</u>	<u>Description</u>
MO4925	Wheel Bearing Kit Consists of:
207-015C	Inside Bearing Cup & Cone
207-019C	Outside Bearing Cup & Cone
	Cotter Key 3/16 X 1 1/2"
MO207-065	Seal Kit (207-063; 207-062; 207-064)
207-022	Hub Cap
803-029C	Nut
804-055C	Washer



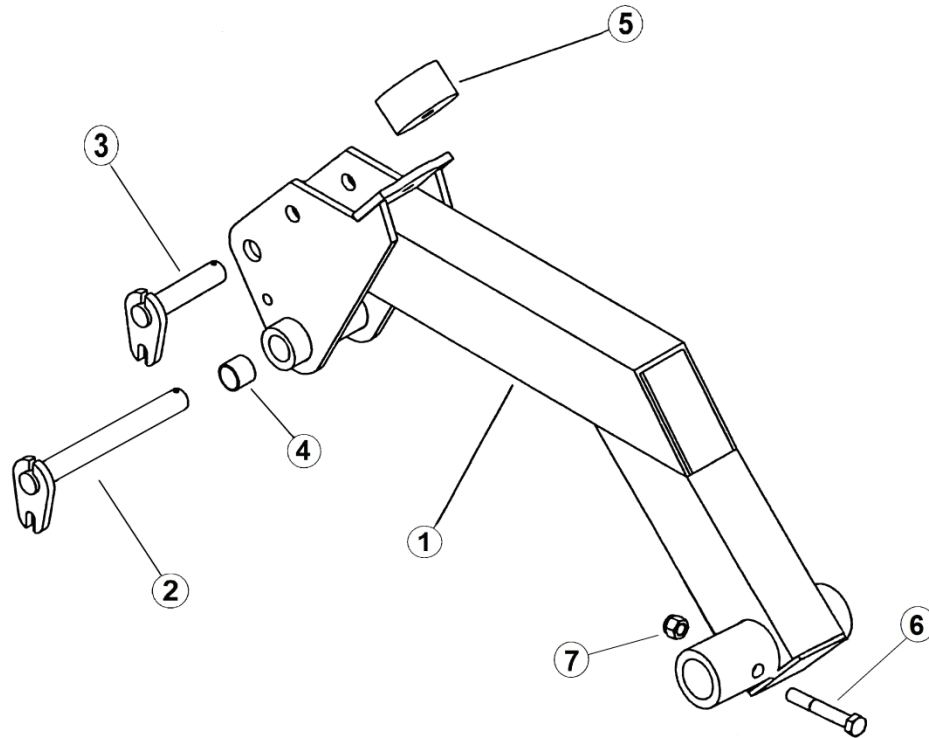
<u>Part #</u>	<u>Description</u>
MO206-013	Wheel Hub complete with Bearings (5 Hole)
MO207-043	Stud Bolt w/Nut (New)
MO207-028	Wheel Bolt (Old)



<u>Part #</u>	<u>Description</u>
MO208-027	Spindle Removable (Main Frame & Wing) (2006-2010) 13"
MO208-034	Spindle Removable (Main Frame & Wing) (2011-2014) 10 1/8"
MO50325G8	Grade 8 Bolt
MO50CZ	Lock Nut

SMS Power Train and Hardware
Call us today to get a quote 800-467-3370
Or Email us at Parts@smspowertrain.com

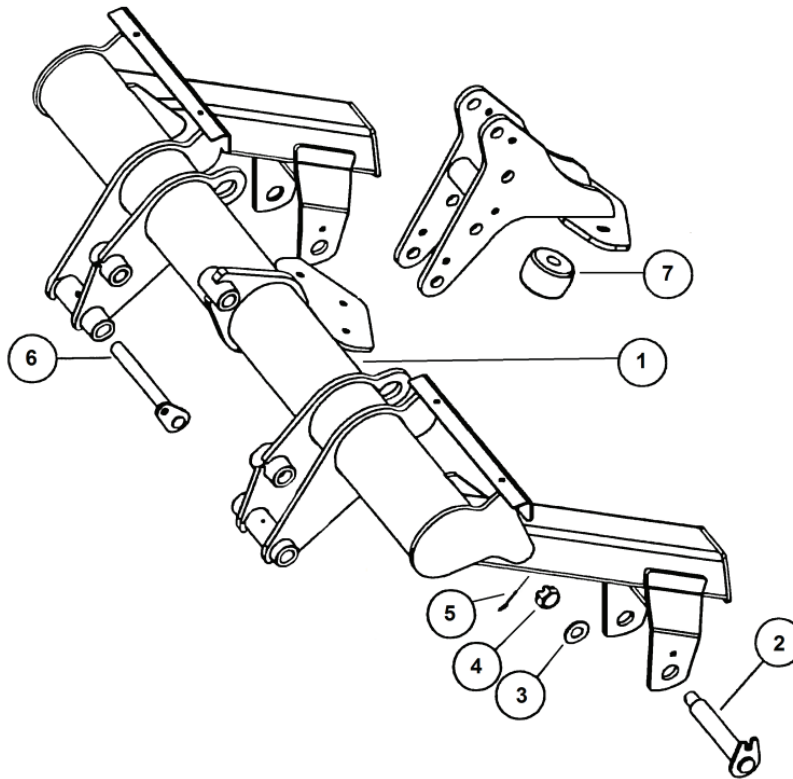
**For SCHULTE® XH1500 SERIES III
WHEEL STANDARD
Replacement Wing Wheel Standard & Parts**



<u>Key</u>	<u>Part #</u>	<u>Description</u>
1	C306-126	Wing Wheel Standard, Right Side
	C306-125	Wing Wheel Standard, Left Side (Shown)
2	C306-147	Pivot Pin
3	C306-148	Retaining Pin
4	MO362-010	Tension Bushing
5	233-053	Rubber Puck
6	MO50325G8	Grade 8 Bolt
7	MO50CZ	Lock Nut

SMS Power Train and Hardware
Call us today to get a quote 800-467-3370
Or Email us at Parts@smspowertrain.com

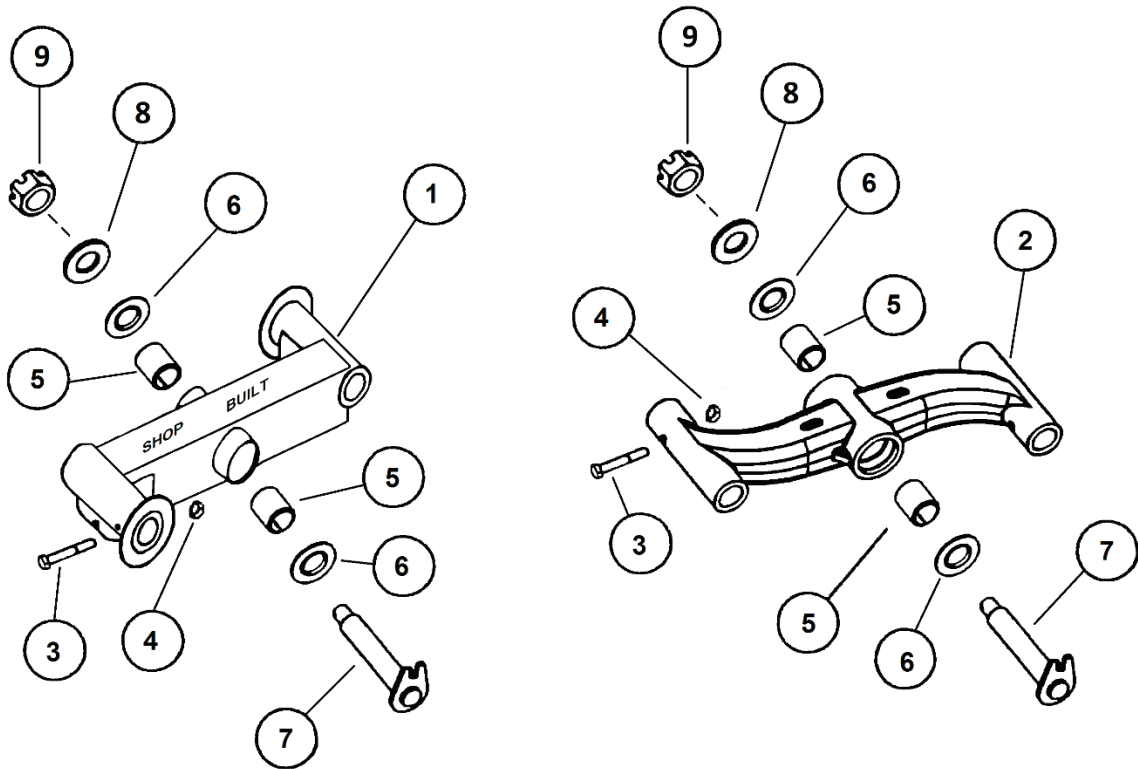
**For SCHULTE® XH1500 SERIES III
CENTER BEAM
Replacement Center Beam & Parts**



<u>Key</u>	<u>Part #</u>	<u>Description</u>
1	C306-174	Center Wheel Beam
2	MO150-16	Pivot Pin, Shop Built Walking Beam
	MOC306-241	Pivot Pin Harden, Cast Walking Beam w/Bushings
3	MO256-068	Machine Bushing
4	MO209-011	Castle Nut
5	MO271-001	Cotter Key 3/16 x 1 1/2"
6	C306-149	Pin 1 x 8 15/16
7	233-053	Rubber Puck

SMS Power Train and Hardware
Call us today to get a quote 800-467-3370
Or Email us at Parts@smspowertrain.com

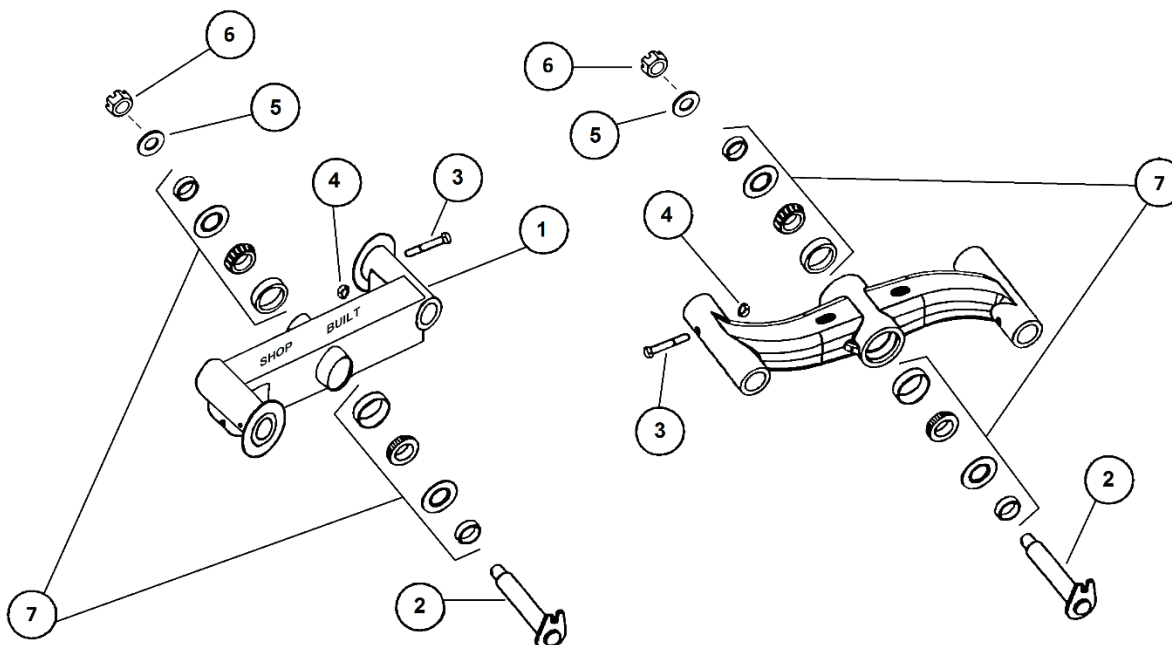
**For SCHULTE® XH1500 SERIES III
WALKING AXLE ARM W/BUSHINGS
Replacement Walking Axle Arm & Parts**



<u>Key</u>	<u>Part #</u>	<u>Description</u>
1	MOC306-200	Walking Axle Arm <u>Shop Built</u> w/Bushings
2	231-029A	Walking Axle Arm <u>Cast</u> w/Bushings
3	MO50325G8	Grade 8 Bolt
4	MO50CZ	Lock Nut
5	362-025	Tension Bushing (2)
6	256-0561	Bushing
7	MOC306-241	Pivot Pin, Harden
8	MO256-068	Machine Bushing
9	MO209-011	Castle Nut

SMS Power Train and Hardware
Call us today to get a quote 800-467-3370
Or Email us at Parts@smspowertrain.com

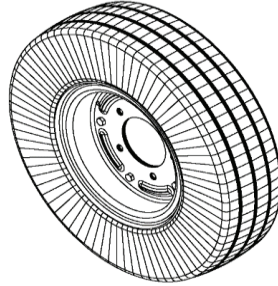
For SCHULTE® XH1500 SERIES III
WALKING AXLE ARM W/BEARINGS
Replacement Walking Axle Arm & Parts



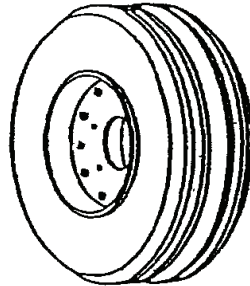
<u>Key</u>	<u>Part #</u>	<u>Description</u>
1	MOC301-341	Walking Axle Arm (Left) Shop Built w/Bearings
	MOC301-342	Walking Axle Arm (Right) Shop Built w/Bearings
2	MOC306-241	Pivot Pin
3	MO50325G8	Grade 8 Bolt
4	MO50CZ	Lock Nut
5	MO256-068	Machine Bushing
6	MO209-011	Castle Nut
7	MO4921	Walking Axle Bearing Kit (Shop Built & Cast Walking Axle Arm) (Consists of) 207-016 bearing cup (2) 207-015 bearing cone (2) 207-021 seal (2) 803-001 spacer (2)

SMS Power Train and Hardware
 Call us today to get a quote 800-467-3370
 Or Email us at Parts@smspowertrain.com

**For SCHULTE® XH1500 SERIES III
WHEELS & TIRES
Replacement Wheels, Tires & Parts**



<u>Part #</u>	<u>Description</u>
MO510BH	Laminated Wheel 6" X 9" X 21" 5 bolt

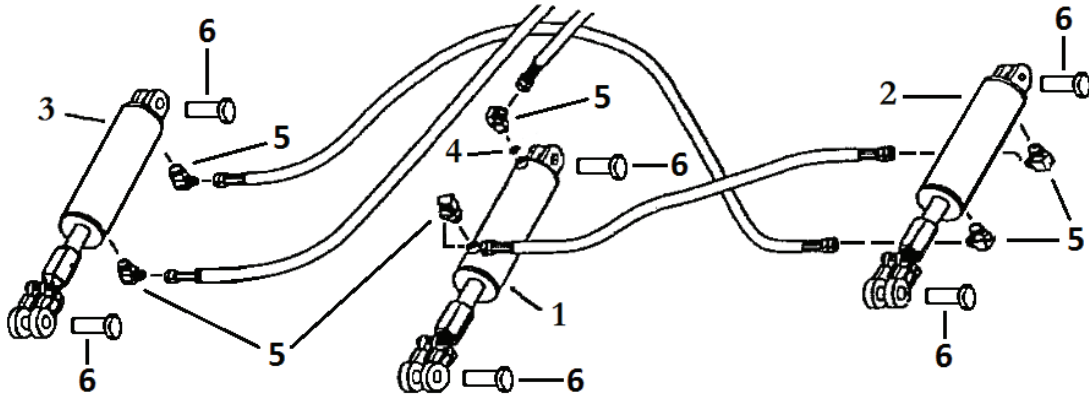


<u>Part #</u>	<u>Description</u>
MO814-261C	Aircraft Tire Only (Recapped) 24 x 7.7 x 10
MO814-262D	Aircraft Tire w/Rim (Mounted) 24 x 7.7 x 10
MO814-277F	Aircraft Tire w/Rim Foam Filled (Mounted) 24 x 7.7 x 10
MO210-520	Aircraft Tire Only (Recapped) 24 x 8.0 x 14
MO210-521	Aircraft Tire w/Rim (Mounted) 24 x 8.0 x 14
MO210-521F	Aircraft Tire w/Rim Foam Filled (Mounted) 24 x 8.0 x 14
MO210-163	Tube Only (Rubber Stem) 24 x 7.7 x 10
MO210-163JS	Tube Only (JS Bent Metal Stem) 24 x 7.7 x 10
MO211-017	Tube Only (JS Bent Metal Stem) 24 x 8.0 x 14

SMS Power Train and Hardware
Call us today to get a quote 800-467-3370
Or Email us at Parts@smspowertrain.com

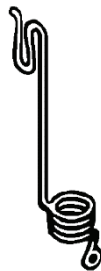
For SCHULTE® XH1500 SERIES III CYLINDERS

Replacement Phasing Cylinders & Parts



<u>Key</u>	<u>Part #</u>	<u>Description</u>
1	MO100-3673	Main Frame Cylinder
2	MO100-3682	Right Wing Cylinder
3	MO100-3692	Left Wing Cylinder
4	MOC000-006	Resistor
5	MO108-069	Elbow 90* (6)
6	MO302-015	Cylinder Pin (6)
	MO3673K	Seal Kit for MO100-3673 Cylinder
	MO3682K	Seal Kit for MO100-3682 Cylinder
	MO3692K	Seal Kit for MO100-3692 Cylinder

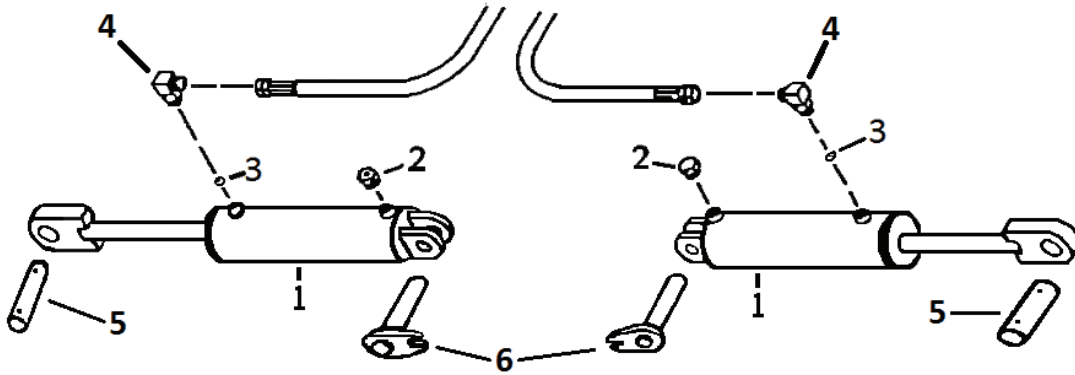
Hose Organizers



<u>Part #</u>	<u>Description</u>
MO228-012	Center Hose Organizer 20"
228-013	Front Center Hose Organizer 33" (2013 & Newer)

SMS Power Train and Hardware
Call us today to get a quote 800-467-3370
Or Email us at Parts@smspowertrain.com

**For SCHULTE® XH1500 SERIES III
CYLINDERS**
Replacement Wing Lift Cylinders & Parts

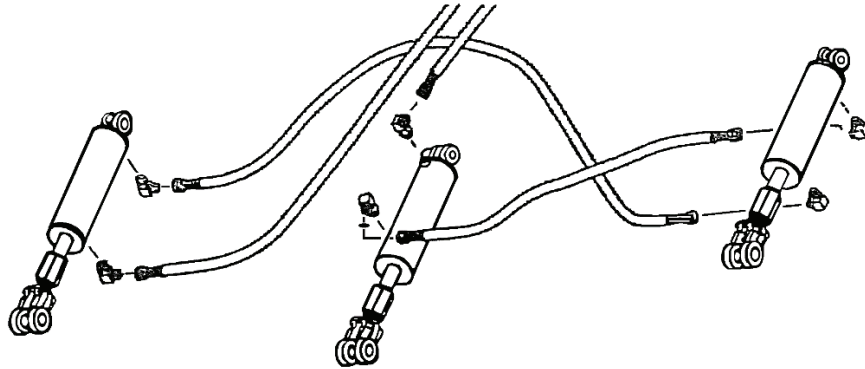


<u>Key</u>	<u>Part #</u>	<u>Description</u>
1	MO100-3740	Wing Lift Cylinder (2)
2	MO108-056	Breather (2)
3	MOC000-006	Resistor (2)
4	MO108-069	Elbow 90* (2)
5	MO302-015	Cylinder Pin (2)
6	C306-142	Locking Cylinder Pin (2)
	MO3740K	Seal Kit for MO100-3740 Cylinder

SMS Power Train and Hardware
Call us today to get a quote 800-467-3370
Or Email us at Parts@smspowertrain.com

**For SCHULTE® XH1000 & XH1500 SERIES III
CYLINDERS & SEAL KITS**

Phasing Cylinders



Cylinders

Seal Kits

Main Frame

100-3673 3 ½ x 8” Monarch (Threaded Head)

101-067

RH Wing

100-3682 3 ¼ x 8” Monarch (Threaded Head)

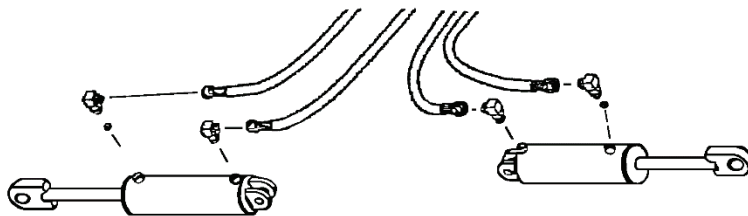
101-066

LH Wing

100-3692 3 x 8” Monarch (Threaded Head)

101-065

Wing Cylinders



Cylinders

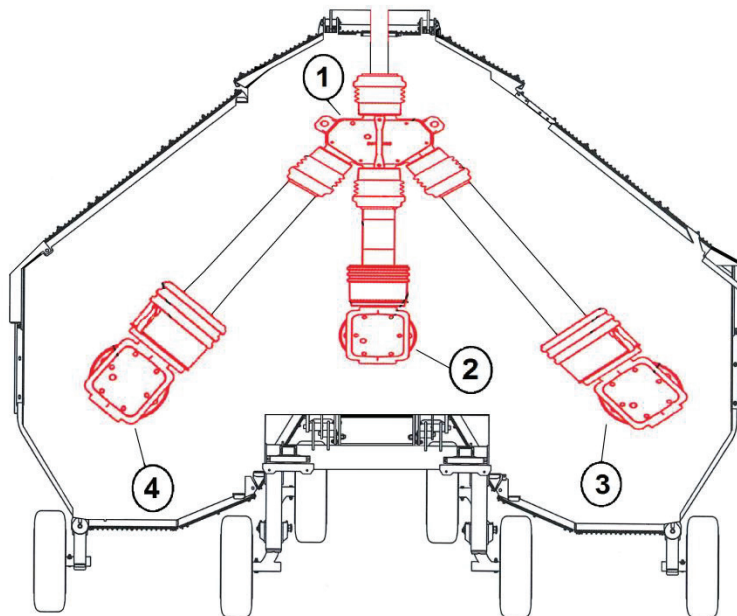
Seal Kits

100-3740 3 x 14” Monarch (Threaded Head)

101-025W

SMS Power Train and Hardware
Call us today to get a quote 800-467-3370
Or Email us at Parts@smspowertrain.com

**For SCHULTE® XH1500 SERIES III
GEAR CASES
Replacement Gear Cases 540 & 1000 RPM**



540 RPM

<u>Key</u>	<u>Part #</u>	<u>Description</u>
1	330-934	Gear Case (540 RPM)
2	330-863	Center Gear Case CW DOT (540 RPM)
	330-862	Center Gear Case CCW (540 RPM)
3	330-861	Right Wing Gear Case CCW (540 RPM)
4	330-860	Left Wing Gear Case CW (540 RPM)

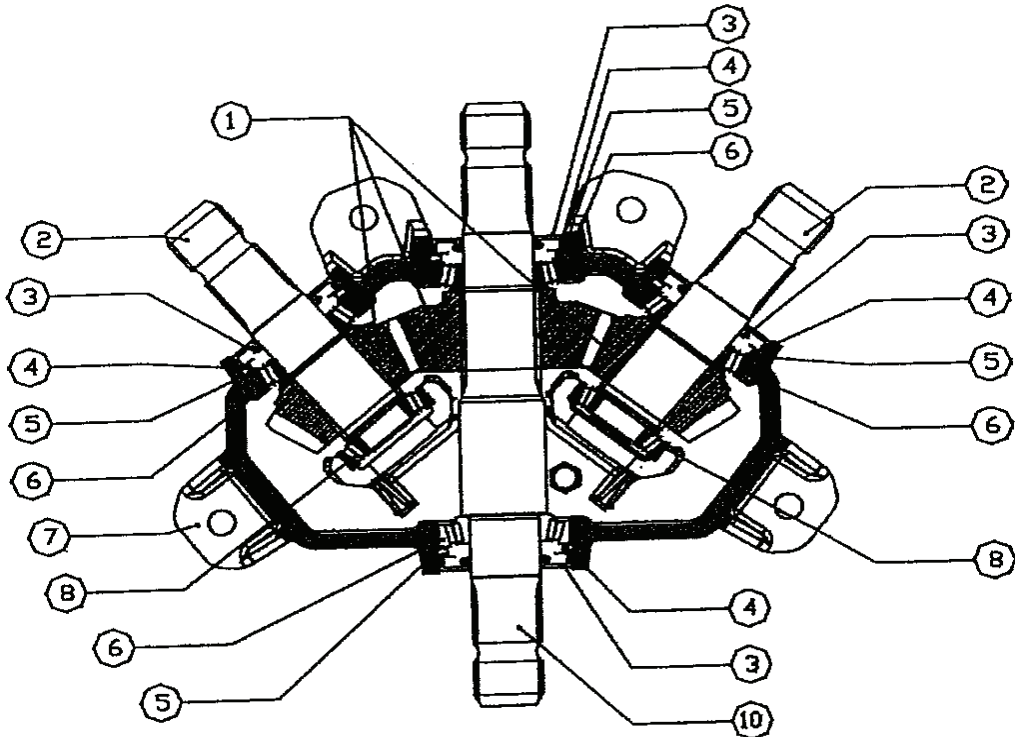
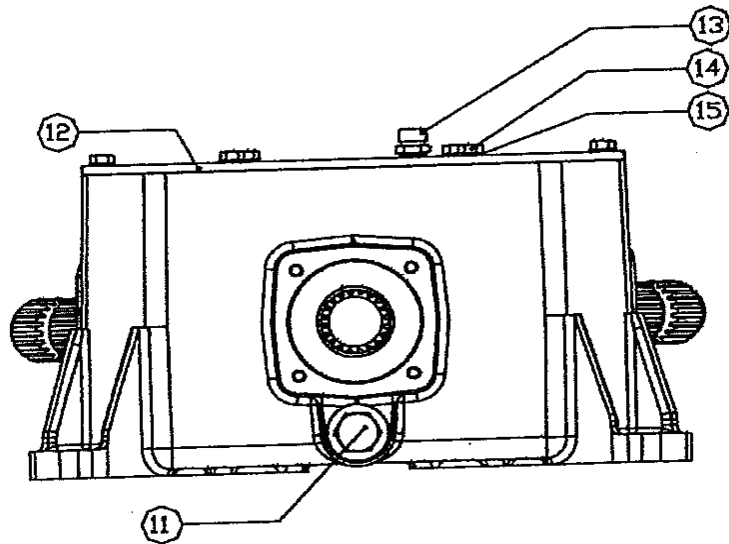
1000 RPM

<u>Key</u>	<u>Part #</u>	<u>Description</u>
1	330-935	Gear Case (1000 RPM)
2	330-865	Center Gear Case CW DOT (1000 RPM)
	330-864	Center Gear Case CCW (1000 RPM)
3	330-861	Right Wing Gear Case CCW (1000 RPM)
4	330-860	Left Wing Gear Case CW (1000 RPM)

SMS Power Train and Hardware
Call us today to get a quote 800-467-3370
Or Email us at Parts@smspowertrain.com

**For SCHULTE® XH1500 SERIES III
GEAR CASE**

**Replacement Gear Case & Parts
330-934 & 330-935 Gear Case
540 & 1000 RPM**



SMS Power Train and Hardware
Call us today to get a quote 800-467-3370
Or Email us at Parts@smspowertrain.com

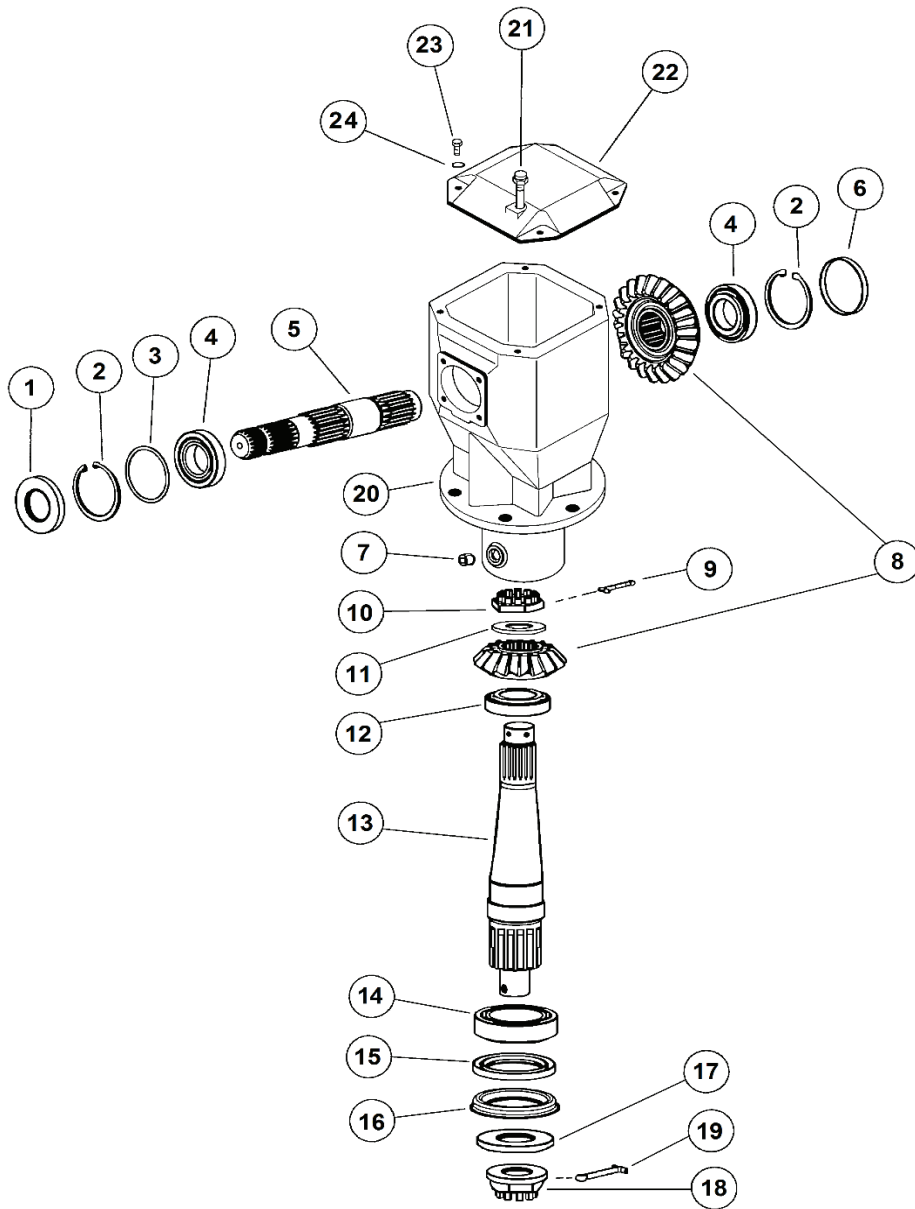
**For SCHULTE® XH1500 SERIES III
GEAR CASE
Replacement Gear Case & Parts
330-934 Case 540 RPM & 330-935 Case 1000 RPM**

**330-934 COMPLETE CASE 540 RPM
330-935 COMPLETE CASE 1000 RPM**

<u>Key</u>	<u>Schulte #</u>	<u>Bondioli #</u>	<u>Description</u>	<u>Qty. Used</u>
1	331-980		Gear Set 540 RPM	1
	331-985		Gear Set 1000 RPM	1
2	331-981		Pinion Shaft 1 3/4 z 20	2
3	331-9019	MO70190	Seal	4
4	331-552	339001085	Snap Ring	4
5	331-982	340I08500R	Shim	1
6	331-564	MO331-564	Bearing	4
7	331-983		Housing	1
8	331-713	MO331-713	Bearing	2
10	331-984		Input Shaft	1
11	331-986		Magnetic Plug	1
12	331-987		Cover	1
13	331-988	373052000	Breather Dipstick	1
14	331-989		Bolt 10mm x 22mm	6
15	331-990		Washer	6

SMS Power Train and Hardware
Call us today to get a quote 800-467-3370
Or Email us at Parts@smspowertrain.com

**For SCHULTE® XH1500 SERIES III
GEAR CASE
Replacement CW Center Gear Case & Parts
330-863 CW Center (DOT)
540 RPM**



SMS Power Train and Hardware
Call us today to get a quote 800-467-3370
Or Email us at Parts@smspowertrain.com

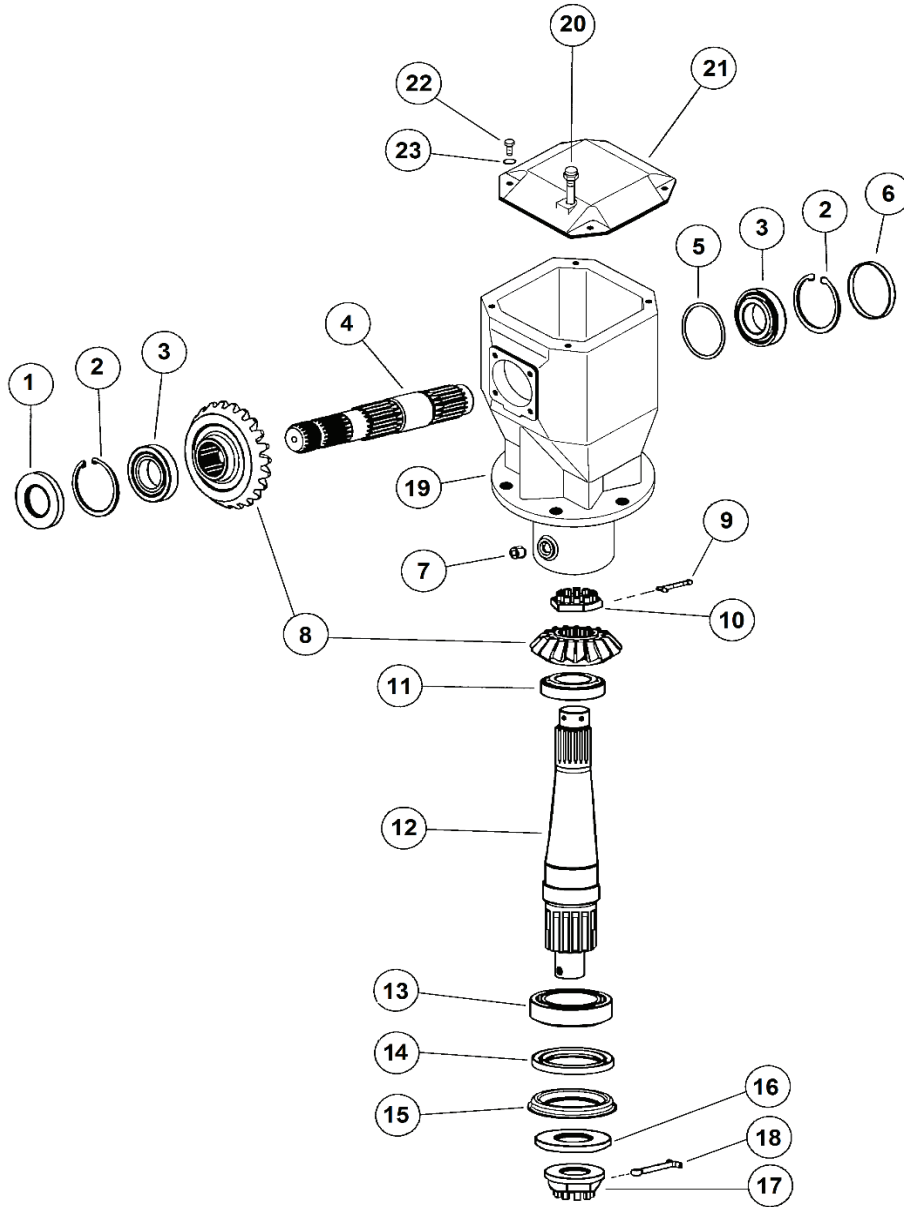
**For SCHULTE® XH1500 SERIES III
GEAR CASE
Replacement CW Center Gear Case & Parts
330-863 CW Center (DOT)
540 RPM**

330-863 COMPLETE CENTER GEAR CASE (CW)

<u>Key</u>	<u>Schulte #</u>	<u>Bondioli #</u>	<u>Description</u>
1	331-9019	MO70190	Seal
2	331-552	339001085	Snap Ring
3	331-982	340I08500R	Shims
4	331-564	MO331-564	Tapered Bearing
5	331-8035	295384040	Input Shaft
6	331-559	372006000	Seal Cap
7	331-8040		Magnetic Plug
8	331-8038	448157700	Gear Set 1:1.57
9	331-812	MO190250	Cotter Pin
10	331-8043	298204200	Castle Nut
11	331-8047		Spacer
12	331-7012	MO331-7012	Tapered Bearing
13	331-8039	295404213	Pinion Shaft
14	331-7114	MO331-7114	Tapered Bearing
15	331-8045	MO331-8045	Seal
16	331-8046	298611006	Sealing Lid
17	331-880	367001002	Spring Washer
18	331-879	330036001	Castle Nut
19	331-878	MO190300	Cotter Pin
20	331-8044		Housing
21	331-8041	373030000	Breather Dipstick
22	331-8042		Cover
23	250-017	MO3875	Bolt 3/8 x 3/4" UNC
24	331-8034	MO3800	Washer

SMS Power Train and Hardware
Call us today to get a quote 800-467-3370
Or Email us at Parts@smspowertrain.com

**For SCHULTE® XH1500 SERIES III
GEAR CASE
Replacement CCW Center Gear Case & Parts
330-862 CCW Center
540 RPM**



SMS Power Train and Hardware
Call us today to get a quote 800-467-3370
Or Email us at Parts@smspowertrain.com

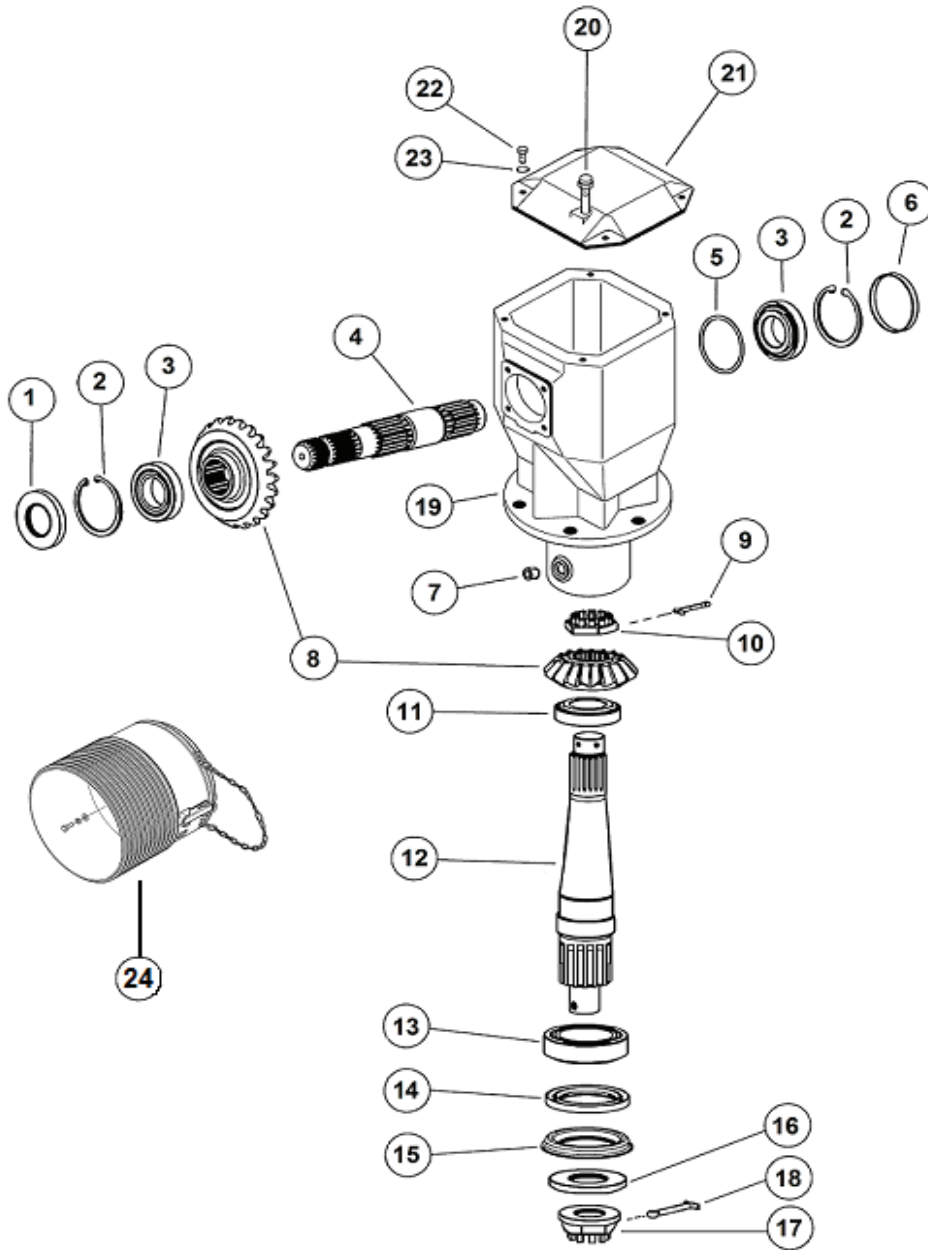
**For SCHULTE® XH1500 SERIES III
GEAR CASE
Replacement CCW Center Gear Case & Parts
330-862 CCW Center
540 RPM**

330-862 COMPLETE CENTER GEAR CASE (CCW)

<u>Key</u>	<u>Schulte #</u>	<u>Bondioli #</u>	<u>Description</u>
1	331-9019	MO70190	Seal
2	331-552	339001085	Snap Ring
3	331-564	MO331-564	Tapered Bearing
4	331-8035	295384040	Input Shaft
5	331-982	340I08500R	Shims
6	331-559	372006000	Seal Cap
7	331-8040		Magnetic Plug
8	331-8038	448157700	Gear Set 1:1.57
9	331-812	MO190250	Cotter Pin
10	331-8043	298204200	Castle Nut
11	331-7012	MO331-7012	Tapered Bearing
12	331-8039	295404213	Pinion Shaft
13	331-7114	MO331-7114	Tapered Bearing
14	331-8045	MO331-8045	Seal
15	331-8046	298611006	Sealing Lid
16	331-880	367001002	Spring Washer
17	331-879	330036001	Castle Nut
18	331-878	MO190300	Cotter Pin
19	331-8044		Housing
20	331-8041	373030000	Breather Dipstick
21	331-8042		Cover
22	250-017	MO3875	Bolt 3/8 x 3/4" UNC
23	331-8034	MO3800	Washer

SMS Power Train and Hardware
Call us today to get a quote 800-467-3370
Or Email us at Parts@smspowertrain.com

**For SCHULTE® XH1500 SERIES III
GEAR CASE
Replacement Left Wing Gear Case & Parts
330-860 CW Left Wing
540 or 1000 RPM**



SMS Power Train and Hardware
Call us today to get a quote 800-467-3370
Or Email us at Parts@smspowertrain.com

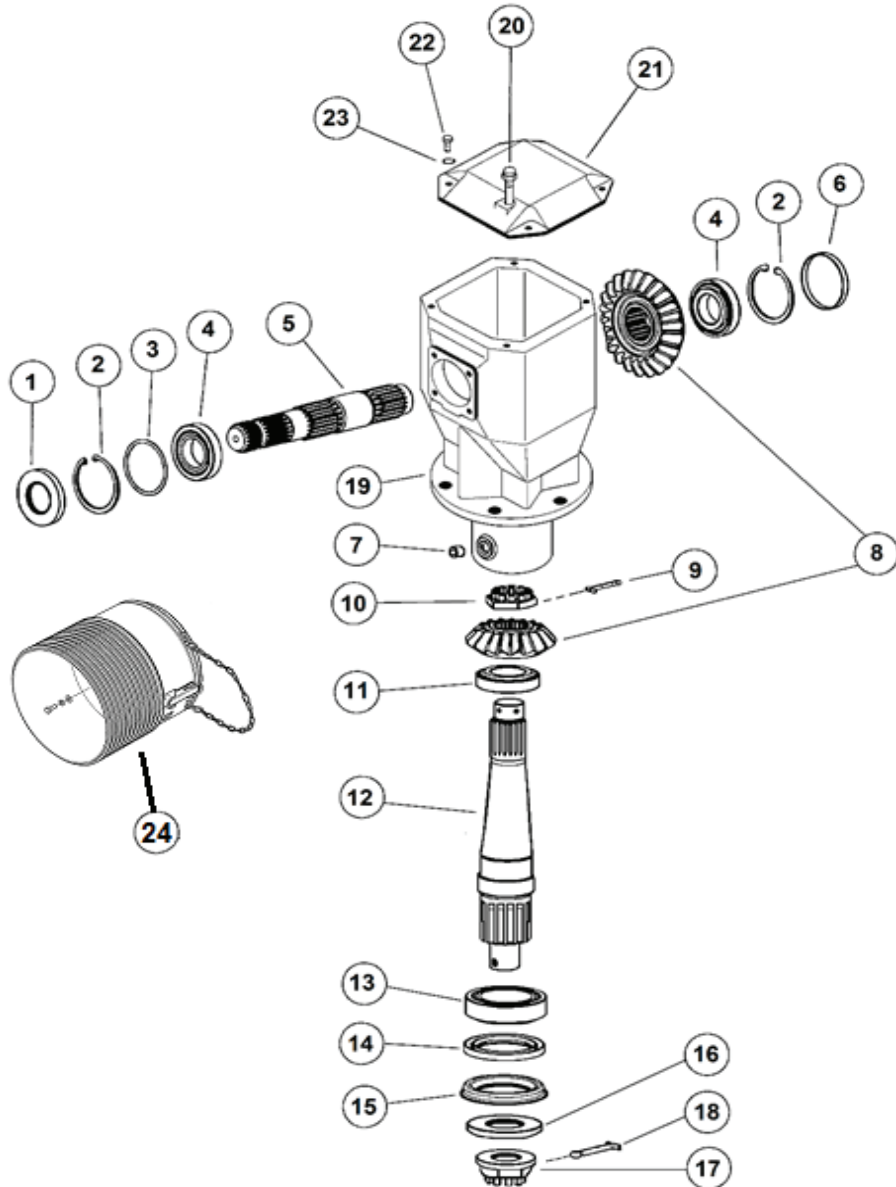
**For SCHULTE® XH1500 SERIES III
GEAR CASE
Replacement Left Wing Gear Case & Parts
330-860 CW Left Wing
540 or 1000 RPM**

330-860 COMPLETE LEFT WING GEAR CASE

<u>Key</u>	<u>Schulte #</u>	<u>Bondioli #</u>	<u>Description</u>
1	331-9019	MO70190	Seal
2	331-552	339001085	Snap Ring
3	331-564	MO331-564	Tapered Bearing
4	331-8035	295384040	Input Shaft
5	331-982	340I08500R	Shims
6	331-559	372006000	Seal Cap
7	331-8040		Magnetic Plug
8	331-8036	44135704	Gear Set 1:1.35
9	331-812	MO190250	Cotter Pin
10	331-8043	298204200	Castle Nut
11	331-7012	MO331-7012	Tapered Bearing
12	331-8039	295404213	Pinion Shaft
13	331-7114	MO331-7114	Tapered Bearing
14	331-8045	MO331-8045	Seal
15	331-8046	298611006	Sealing Lid
16	331-880	367001002	Spring Washer
17	331-879	330036001	Castle Nut
18	331-878	MO190300	Cotter Pin
19	331-8044		Housing
20	331-8041	373030000	Breather Dipstick
21	331-8042		Cover
22	250-017	MO3875	Bolt 3/8 x 3/4" UNC
23	331-8034	MO3800	Washer
24	341-6240	395002125CE	SFT Shield Cone

SMS Power Train and Hardware
Call us today to get a quote 800-467-3370
Or Email us at Parts@smspowertrain.com

**For SCHULTE® XH1500 SERIES III
GEAR CASE
Replacement Right Wing Gear Case & Parts
330-861 CCW Right Wing
540 or 1000 RPM**



SMS Power Train and Hardware
Call us today to get a quote 800-467-3370
Or Email us at Parts@smspowertrain.com

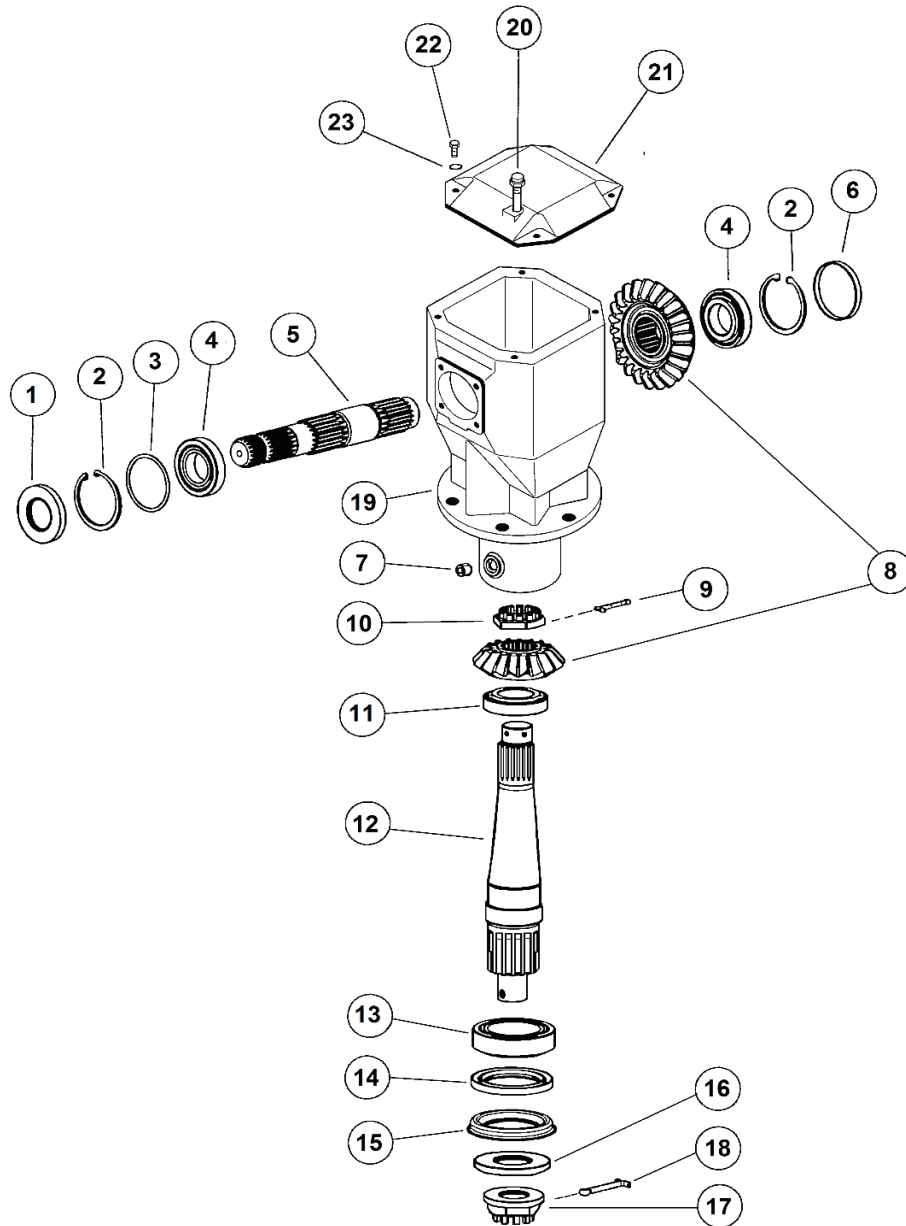
**For SCHULTE® XH1500 SERIES III
GEAR CASE
Replacement Right Wing Gear Case & Parts
330-861 CCW Right Wing
540 or 1000 RPM**

330-861 COMPLETE RIGHT WING GEAR CASE

<u>Key</u>	<u>Schulte #</u>	<u>Bondioli #</u>	<u>Description</u>
1	331-9019	MO70190	Seal
2	331-552	339001085	Snap Ring
3	331-982	340I08500R	Shims
4	331-564	MO331-564	Tapered Bearing
5	331-8035	295384040	Input Shaft
6	331-559	372006000	Seal Cap
7	331-8040		Magnetic Plug
8	331-8036	448135704	Gear Set 1:1.35
9	331-812	MO190250	Cotter Pin
10	331-8043	298204200	Castle Nut
11	331-7012	MO331-7012	Tapered Bearing
12	331-8039	295404213	Pinion Shaft
13	331-7114	MO331-7114	Tapered Bearing
14	331-8045	MO331-8045	Seal
15	331-8046	298611006	Sealing Lid
16	331-880	367001002	Spring Washer
17	331-879	330036001	Castle Nut
18	331-878	MO190300	Cotter Pin
19	331-8044		Housing
20	331-8041	373030000	Breather Dipstick
21	331-8042		Cover
22	250-017	MO3875	Bolt 3/8 x 3/4" UNC
23	331-8034	MO3800	Washer
24	341-6240	395002125CE	SFT Shield Cone

SMS Power Train and Hardware
Call us today to get a quote 800-467-3370
Or Email us at Parts@smspowertrain.com

For SCHULTE® XH1500 SERIES III
GEAR CASE
Replacement CW Center Gear Case & Parts
330-865 CW Center (DOT)
1000 RPM



SMS Power Train and Hardware
 Call us today to get a quote 800-467-3370
 Or Email us at Parts@smspowertrain.com

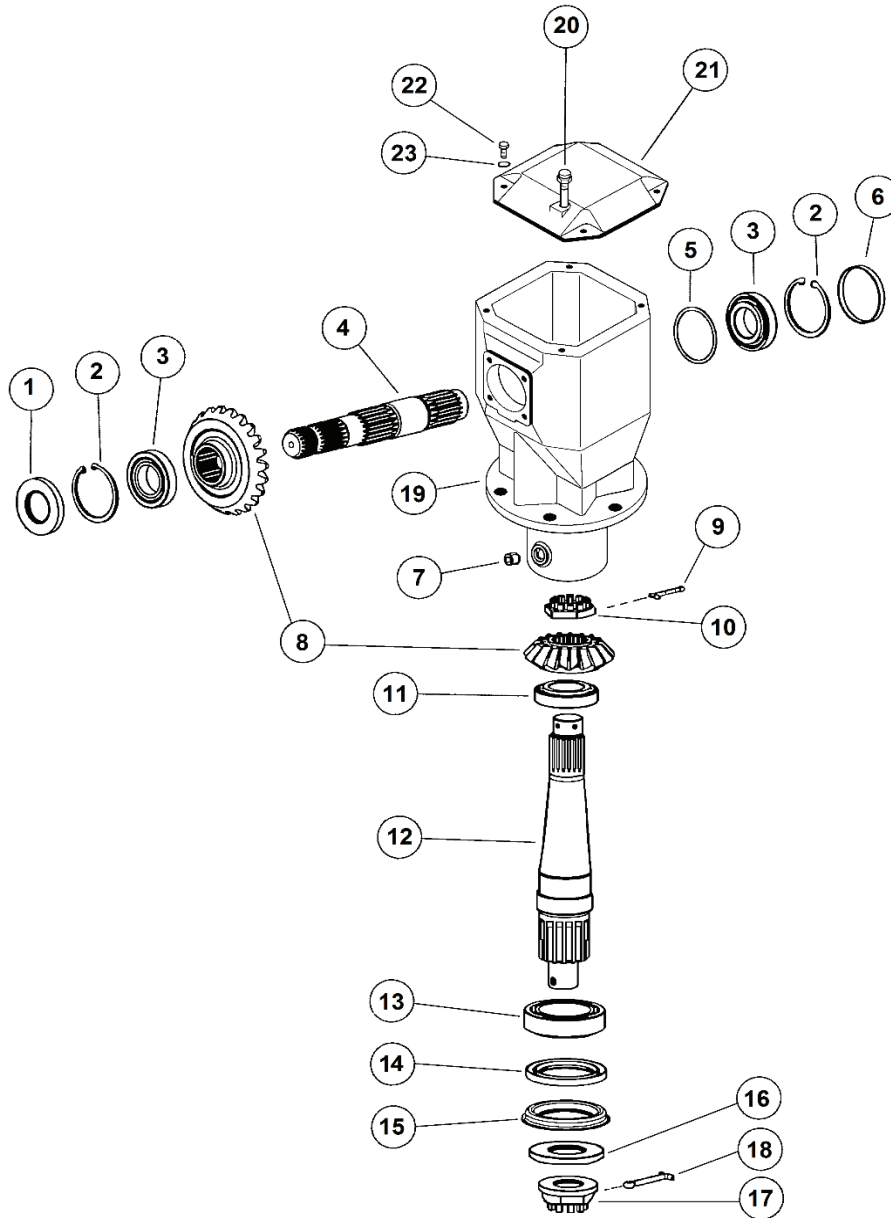
**For SCHULTE® XH1500 SERIES III
GEAR CASE
Replacement CW Center Gear Case & Parts
330-865 CW Center (DOT)
1000 RPM**

330-865 COMPLETE CENTER GEAR CASE (CW)

<u>Key</u>	<u>Schulte #</u>	<u>Bondioli #</u>	<u>Description</u>
1	331-9019	MO70190	Seal
2	331-552	339001085	Snap Ring
3	331-982	340I08500R	Shims
4	331-564	MO331-564	Tapered Bearing
5	331-8035	295384040	Input Shaft
6	331-559	372006000	Seal Cap
7	331-8040		Magnetic Plug
8	331-8037	448135701	Gear Set 1:1.18
9	331-812	MO190250	Cotter Pin
10	331-8043	298204200	Castle Nut
11	331-7012	MO331-7012	Tapered Bearing
12	331-8039	295404213	Pinion Shaft
13	331-7114	MO331-7114	Tapered Bearing
14	331-8045	MO331-8045	Seal
15	331-8046	298611006	Sealing Lid
16	331-880	367001002	Spring Washer
17	331-879	330036001	Castle Nut
18	331-878	MO190300	Cotter Pin
19	331-8044		Housing
20	331-8041	373030000	Breather Dipstick
21	331-8042		Cover
22	250-017	MO3875	Bolt 3/8 x 3/4" UNC
23	331-8034	MO3800	Washer

SMS Power Train and Hardware
Call us today to get a quote 800-467-3370
Or Email us at Parts@smspowertrain.com

**For SCHULTE® XH1500 SERIES III
GEAR CASE
Replacement CCW Center Gear Case & Parts
330-864 CCW Center
1000 RPM**



SMS Power Train and Hardware
Call us today to get a quote 800-467-3370
Or Email us at Parts@smspowertrain.com

**For SCHULTE® XH1500 SERIES III
GEAR CASE
Replacement CCW Center Gear Case
330-864 CCW Center
1000 RPM**

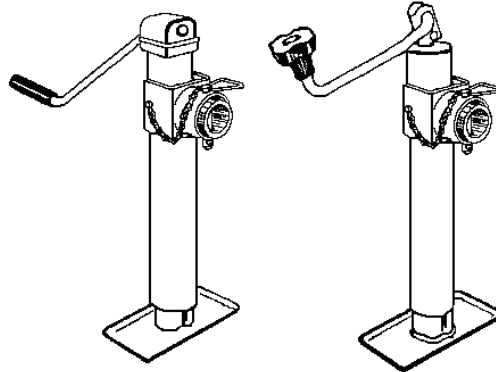
330-864 COMPLETE CENTER GEAR CASE (CCW)

<u>Key</u>	<u>Schulte #</u>	<u>Bondioli #</u>	<u>Description</u>
1	331-9019	MO70190	Seal
2	331-552	339001085	Snap Ring
3	331-564	MO331-564	Tapered Bearing
4	331-8035	295384040	Input Shaft
5	331-982	340I08500R	Shims
6	331-559	372006000	Seal Cap
7	331-8040		Magnetic Plug
8	331-8037	448085701	Gear Set 1:1.18
9	331-812	MO190250	Cotter Pin
10	331-8043	298204200	Castle Nut
11	331-7012	MO331-7012	Tapered Bearing
12	331-8039	295404213	Pinion Shaft
13	331-7114	MO331-7114	Tapered Bearing
14	331-8045	MO331-8045	Seal
15	331-8046	298611006	Sealing Lid
16	331-880	367001002	Spring Washer
17	331-879	330036001	Castle Nut
18	331-878	MO190300	Cotter Pin
19	331-8044		Housing
20	331-8041	373030000	Breather Dipstick
21	331-8042		Cover
22	250-017	MO3875	Bolt 3/8 x 3/4" UNC
23	331-8034	MO3800	Washer

SMS Power Train and Hardware
Call us today to get a quote 800-467-3370
Or Email us at Parts@smspowertrain.com

**For SCHULTE® XH1500 SERIES III
JACKS & SAFETY CHAIN
Replacement Heavy Duty Jacks & Safety Chain**

Jacks

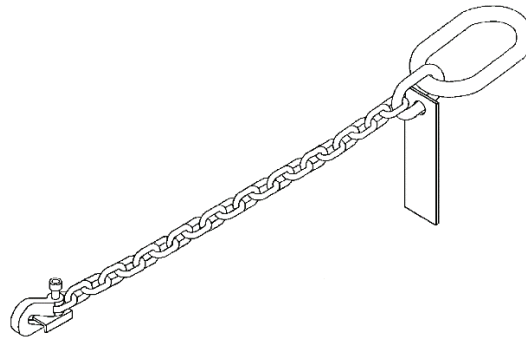


Sidewind

Topwind

<u>Part #</u>	<u>Description</u>
MO300HD	Heavy Duty Jack (Top Crank)
MO5000HDS	Heavy Duty Jack (Side Crank)

Safety Chain

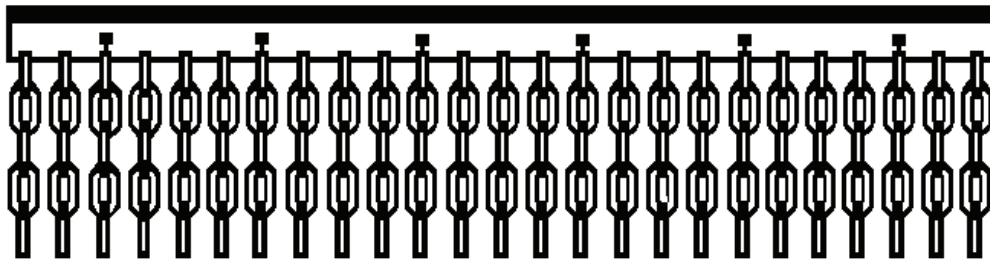


<u>Part #</u>	<u>Description</u>
MOS000-011	Safety Chain

Note: The safety chain will help the rotary cutter should it accidentally separate from the drawbar. **Do Not Use** the safety chain for towing. Replace the entire chain if any link or end fitting is broken damaged or stretched. 10,000 lbs capacity, 59” minimum length.

SMS Power Train and Hardware
Call us today to get a quote 800-467-3370
Or Email us at Parts@smspowertrain.com

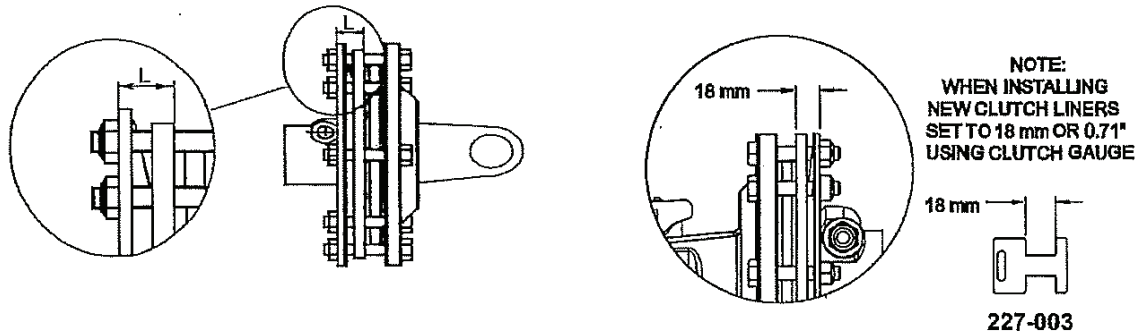
**For SCHULTE® XH1500 SERIES III
CHAIN GUARDS
Replacement Chain Guards**



<u>Part #</u>	<u>Description</u>	<u>Qty. Used</u>
Front		
MOC306-502A	Main Center Complete	1
MOC306-501A	Main Inner & Outer Complete	2
MOC306-507A	Wing Inside & Center RH & LH Complete	4
MOC306-506A	Wing Outside RH & LH Complete	2
Rear		
MOC306-503A	Main Center Complete	2
MOC306-504A	Main Outer RH & LH Complete	2
MOC306-505A	Wing Inner RH & LH Complete	2
MOC306-507A	Wing RH & LH Complete	2

SMS Power Train and Hardware
Call us today to get a quote 800-467-3370
Or Email us at Parts@smspowertrain.com

Clutch Settings



Bondioli Clutch Settings

FV42 Clutch (Wing Shafts) 1200 nm

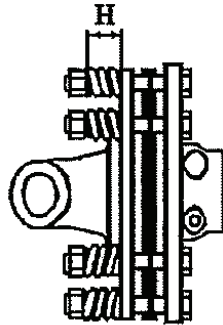
*The spring height L needs measured near each bolt
(18.5 mm or .71" with a tolerance + or - .4 mm)*

FV32 Clutch (Intermediate Shaft 1000 RPM) 900 nm

*The spring height L needs measured near each bolt
(18.0 mm or .71" with a tolerance + or - .4 mm)*

FT42 Clutch (Wing Shafts) 1200 nm

The band needs to touch then back off 1 mm to let moisture out.



Bondioli	FF2 Clutch (coil spring clutch) H = 27.5 mm or 1 3/32"	2 disks
Bondioli	FF3 Clutch (coil spring clutch) H = 28.5 mm or 1 1/8"	4 disks
Comer	F2 Clutch (coil spring clutch) H = 33.3 mm 1 11/32"	2 disks
Comer	F4 Clutch (coil spring clutch) H = 34.1 mm 1 5/16"	4 disks

SMS Power Train and Hardware
Call us today to get a quote 800-467-3370
Or Email us at Parts@smspowertrain.com

Clutch Lining Sizes

Lining Size Inside	Outside	Moore #	
3 13/16" 97 mm	6 5/16" 160 mm	247000061	Bondioli
3 13/16" 97 mm	6 5/16" 160 mm	MO31971	Eurocardan
3 3/8" 85 mm	6 3/8" 162 mm	247006351	Bondioli
3 3/8" 85 mm	5 1/2" 140 mm	247000054	Bondioli
3 5/8" 91 mm	5 15/16" 152 mm	MO1711	Comer/Walterscheid
3" 77 mm	5 9/16" 142 mm	247006251	Bondioli
3 7/8" 100 mm	7" 178 mm	MO581060003	Walterscheid
4" 102 mm	6 1/4" 158 mm	19459	Woods

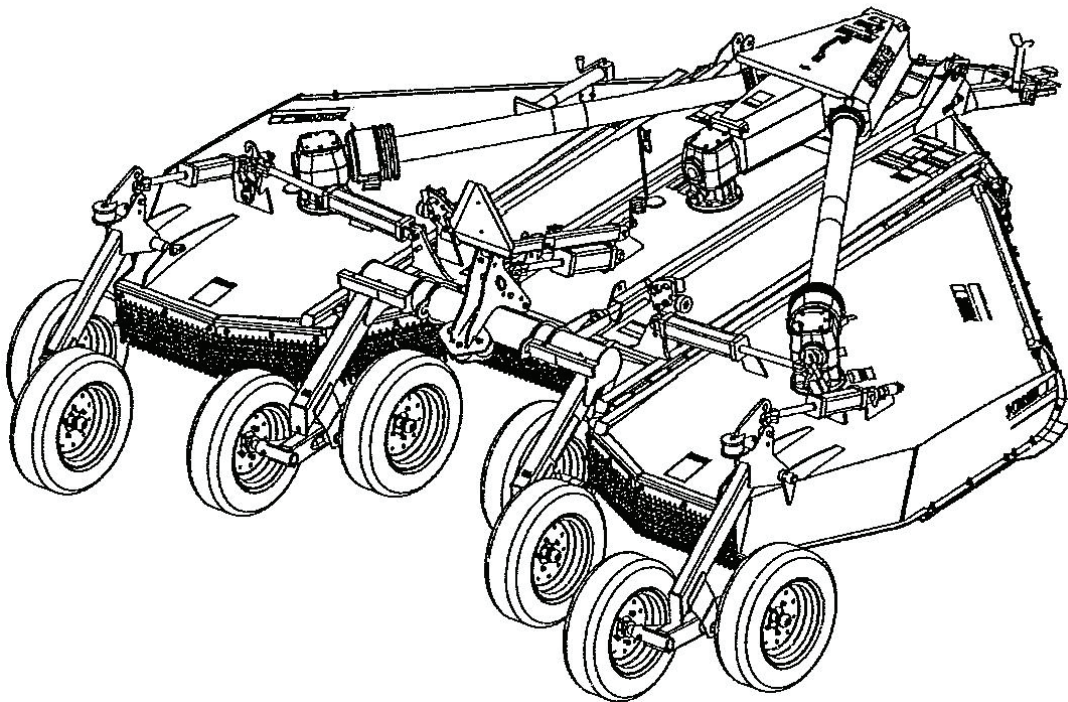
Manufactures Cross Reference

Manufacture	Part #	Moore #	
Alamo	00754202	MO1711	<i>Comer</i>
Alamo	8366	MO1711	<i>Walterscheid</i>
Schulte	341-631	247000061	<i>Bondioli</i>
Schulte	341-6247	247006351	<i>Bondioli</i>
Schulte	341-6228	247006251	<i>Bondioli</i>
Schulte	341-722	247000054	<i>Bondioli</i>
Schulte	341-3501	247000061	<i>Bondioli</i>
Schulte	341-6513	MO1711	<i>Eurogiunti</i>
Schulte	341-6547	247006251	<i>Eurogiunti</i>
Bush Whacker	1711	MO1711	<i>Comer</i>
Bush Whacker	3963	247006251	<i>Bondioli</i>
Bush Hog	91560	247000061	<i>Bondioli</i>
Bush Hog	91561	247000054	<i>Bondioli</i>
Bush Hog	76083	MO1711	<i>Comer</i>
Land Pride	1808010	MO31971	<i>Eurogiunti</i>
Land Pride	168556	MO1711	<i>Walterscheid</i>
Rhino	00754202	MO1711	<i>Comer</i>
Rhino	0581060003	MO581060003	<i>Walterscheid</i>
John Deere	W44285	247006251	<i>Bondioli</i>
John Deere	W34913	MO1711	<i>Walterscheid</i>
Woods	19459	19459	

SMS Power Train and Hardware
 Call us today to get a quote 800-467-3370
 Or Email us at Parts@smspowertrain.com

SCHULTE®

XH1000 & XH1500 Series IV Rotary Cutter Replacement Parts



SMS Power Train and Hardware
Call today to get a quote 800-467-3370
Or email us at Parts@smspowertrain.com

SCHULTE®

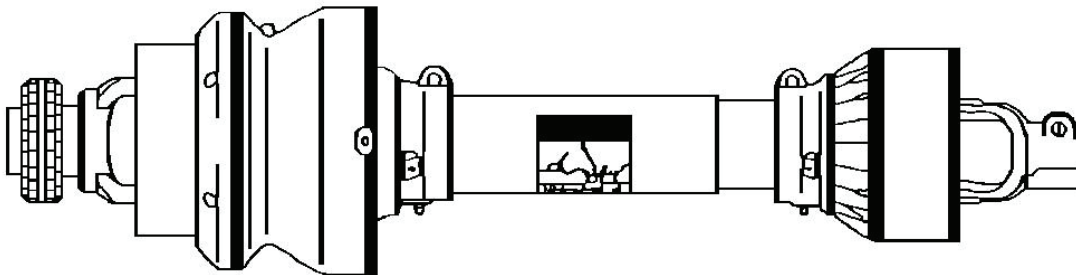
Series IV

This Page

Intentionally Blank

SMS Power Train and Hardware
Call today to get a quote 800-467-3370
Or email us at Parts@smspowertrain.com

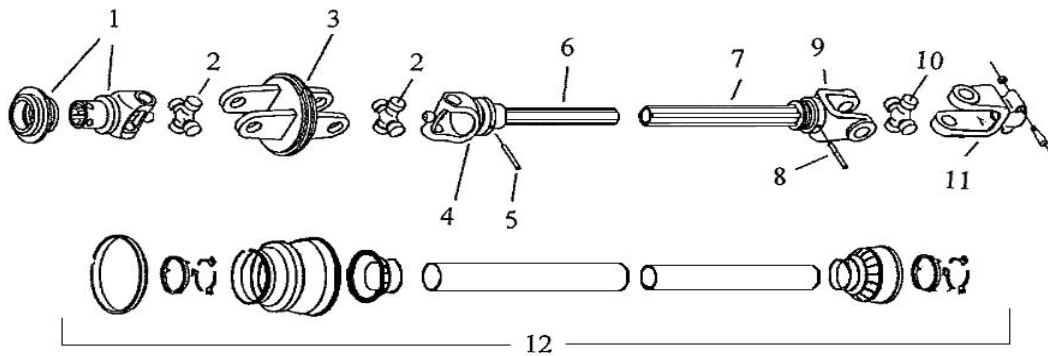
For SCHULTE® XH1500 SERIES IV
CV MAIN DRIVESHAFT
TRACTOR TO MOWER CV REPLACEMENT DRIVESHAFT
540 RPM/1000 RPM



<u>Part #</u>	<u>Description</u>
MO3954	Complete Main Driveshaft- <u>CV</u> (Bondioli) <u>540 RPM</u> 1 3/8"-6 Spline Tractor- 1 3/4"-20 Spline Splitter Box 56" (Replaces Schulte's 4 lobe shaft)
MO3990	Complete Main Driveshaft- <u>CV</u> (Bondioli) <u>1000 RPM</u> 1 3/8"-21 Spline Tractor-1 3/4"-20 Spline Splitter Box 51.5"

SMS Power Train and Hardware
Call today to get a quote 800-467-3370
Or email us at Parts@smspowertrain.com

**For SCHULTE® XH1500 SERIES IV
DRIVESHAFT CV
Replacement CV Driveshaft & Parts
340-870 SFT (4 Lobe) H8
540 RPM**

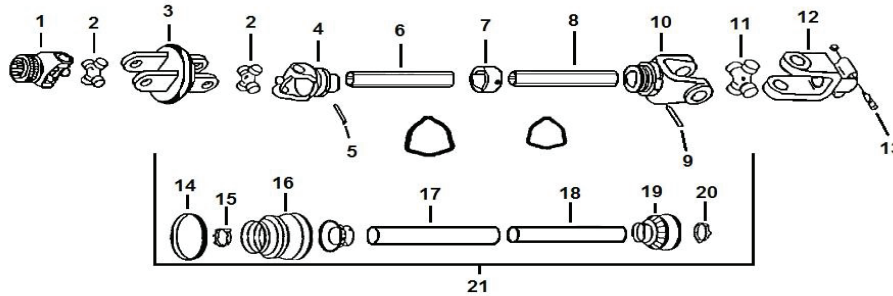


MO3954 COMPLETE REPLACEMENT CV DRIVE SHAFT 540 RPM

<u>Key</u>	<u>Part #</u>	<u>Description</u>
1	341-80046 5730L0384	Tractor CV QD yoke 1 3/8 – 6 spline
2	341-80047 4120L0051	Cross Kit CV (2)
3	341-80045 5110L0063	CV Body
4	341-80130 2150L6867	Yoke, Outer Tube H8
5	341-80074 341103000	Roll Pin
6	341-80131 237D03X21R	Outer Cardan Tube H8
7	341-80132 2453V0850R	Inner Cardan Tube H8
8	341-80007 341053000	Roll Pin
9	341-80076 2040L6866	Yoke, Inner Tube H8
10	341-80002 4120L0012	Cross Kit
11	341-80070 5090L3860	Yoke, Impl. 1 3/4-20 spline
12	341-80067 MO5085	CV Shield Kit

SMS Power Train and Hardware
Call today to get a quote 800-467-3370
Or email us at Parts@smspowertrain.com

**For SCHULTE® XH1500 SERIES IV
DRIVESHAFT CV
Replacement Parts for MO3954 CV Driveshaft (Bondioli)
540 RPM Triangle Tubes
(One Piece “Accordion” Style CV Bell)**



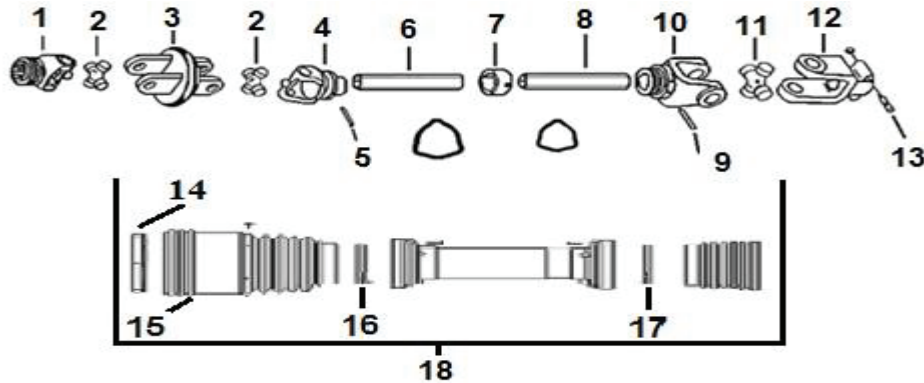
<u>Key</u>	<u>Part #</u>	<u>Description</u>
	MO3954	COMPLETE DRIVESHAFT
1	5730L0384	Tractor CV QD Yoke 1 3/8 – 6 spline
2	4120L0051	Cross Kit CV (2)
3	5110L0063	CV Body
4	2150L6873	Outer Tube Yoke CV
5	341054000	Roll Pin Outer Yoke 12 x 90m
6	224320810	Outer Tube 32”
7	259006803	Grease Collar
8	245390820	Inner Tube RILSAN 32 1/4”
9	341055000	Roll Pin Inner Yoke 12 x 75m
10	204086888	Inner Tube Yoke
11	4120M0011	Cross Kit
12	5090M3860	Impl. Yoke – taper pin 1 3/4-20 spline
13	408000076	Taper Pin
14	2550L0023	CV Shield Bearings
15	255080005	Outer Shield Bearings
16	517080200	CV Shield
17	236850738	Outer Shield Tube
18	2370084F4	Inner Shield Tube
19	517080120	Shield Cone
20	255080006	Inner Shield Bearing
21	MO5535	Complete CV Shield Kit

SMS Power Train and Hardware
Call today to get a quote 800-467-3370
Or email us at Parts@smspowertrain.com

CV DRIVESHAFT

Replacement Parts for MO3990 CV Driveshaft (Bondioli) 1000 RPM Triangle Tubes

(One Piece "Accordion" Style CV Bell)



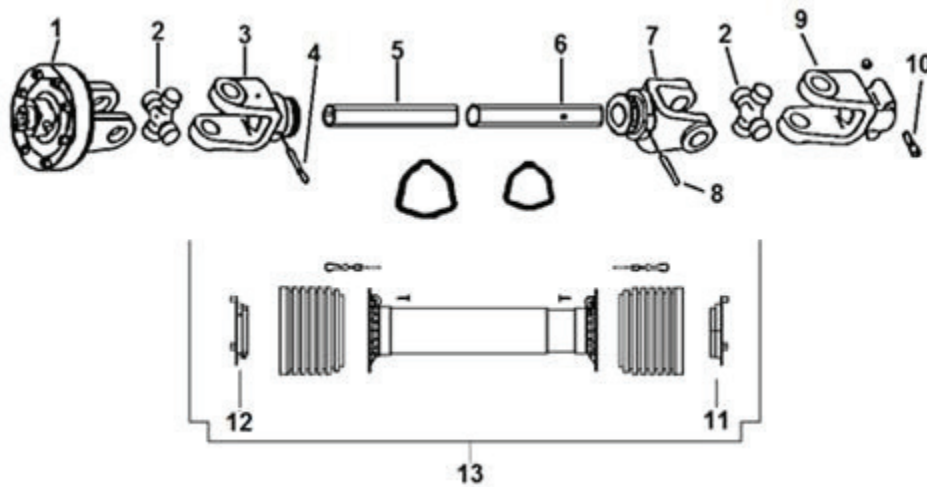
<u>Key</u>	<u>Part #</u>	<u>Description</u>
	MO3990	COMPLETE DRIVESHAFT
1	5730G3784	Tractor CV QD Yoke 1 3/8 – 21 spline
2	4120G0051	Cross Kit CV (2)
3	5110G0061	CV body
4	2150G6885	Outer Tube Yoke CV
5	341042000	Roll Pin Outer Yoke
6	225270840	Outer Tube
7	259006803	Grease Collar
8	245160840	Inner Tube RILSAN
9	341043000	Roll Pin Inner Yoke
10	204066852	Inner Tube Yoke
11	4120H0011	Cross Kit
12	5090H3860	Impl. Yoke – taper pin
13	408000076	Taper pin
14	2550G0024	CV Shield Bearing
15	219051401	CV Shield
16	255071002	Outer Shield Bearing
17	255071001	Inner Shield Bearing
18	MO5525	Complete CV Shield Kit

SMS Power Train and Hardware
Call today to get a quote 800-467-3370
Or email us at Parts@smspowertrain.com

**For SCHULTE® XH1500 SERIES IV
DRIVESHAFT**

**XH1500 SERIES IV WING SHAFT
W/CLUTCH**

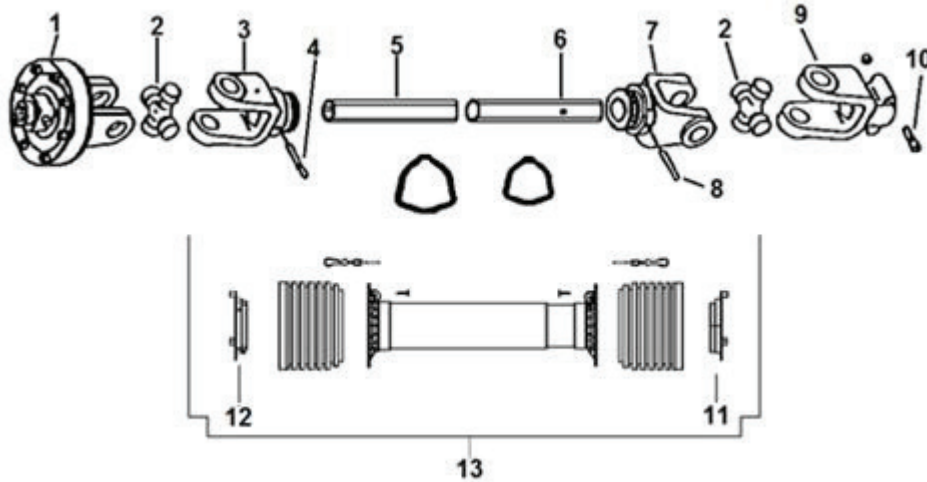
**MO4900 (Bondioli) Replacement Wing Shaft & Parts Triangle
Drive Tubes**



<u>Key</u>	<u>Part #</u>	<u>Description</u>
	MO4900	COMPLETE WING SHAFT
1	MO9998	Complete Clutch Belleville Spring 1 3/4" – 20 spline
2	4120L0012	Cross Kit (2)
3	204176852	Inner Tube Yoke
4	341043000	Roll Pin Inner Tube Yoke
5	270181250	Inner Tube Heat Treated
6	225211240	Outer Tube
7	204176851	Outer Tube Yoke
8	341042000	Roll Pin Outer Tube Yoke
9	5090L3860	Impl. Yoke Taper Pin 1 3/4" – 20 spline
10	408000076	Taper Pin
11	255071002	Outer Shield Bearing
12	255071001	Inner Shield Bearing
13	MO4540	Complete Wing Shield Kit

SMS Power Train and Hardware
Call today to get a quote 800-467-3370
Or email us at Parts@smspowertrain.com

**For SCHULTE® XH1500 SERIES IV
WING SHAFT W/CLUTCH
340-880 Wing Shaft
Replacement Wing Shaft & Parts**



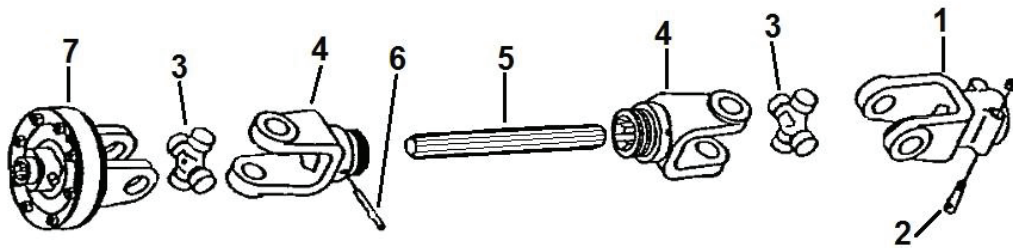
<u>Key</u>	<u>Part #</u>	<u>Description</u>
	MO4900	COMPLETE WING SHAFT
1	341-80176	MO9998 Complete Clutch Belleville Spring 1 3/4" – 20 spline
2	341-80002	4120L0012 Cross Kit (2)
3	341-80180	204176852 Inner Tube Yoke
4	341-616	341043000 Roll Pin Inner Tube Yoke
5	341-80179	270181250 Inner Tube Heat Treated
6	341-80178	225211240 Outer Tube
7	341-80177	204176851 Outer Tube Yoke
8	341-80004	341042000 Roll Pin Outer Tube Yoke
9	341-80070	5090L3860 Impl. Yoke Taper Pin 1 3/4" – 20 spline
10	341-802	408000076 Taper Pin
11	341-80182	255071002 Outer Shield Bearing
12	341-80185	255071001 Inner Shield Bearing
13	341-80175	MO4540 Complete Wing Shield Kit

SMS Power Train and Hardware
Call today to get a quote 800-467-3370
Or email us at Parts@smspowertrain.com

For SCHULTE® XH1500 SERIES IV

INTERMEDIATE SHAFT

340-866 Replacement Intermediate Shaft & Parts
540 RPM

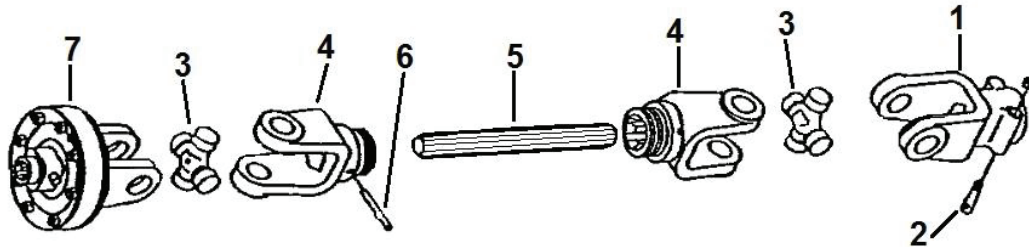


<u>Key</u>	<u>Part #</u>	<u>Description</u>
	340-866	COMPLETE INTERMEDIATE ASSEMBLY
1	341-80070	Yoke 1 3/4 – 20 spline S8
2	341-802	Tapered Bolt S8
3	341-80002	Cross Kit (2) S8
4	341-80188	Splined Yoke (2) S8
5	341-80190	Splined Shaft S8
6	341-608	Roll Pin S8
7	341-80176	MO9998 FV42 Clutch 1 3/4 - 20 spline

SMS Power Train and Hardware
Call today to get a quote 800-467-3370
Or email us at Parts@smspowertrain.com

For SCHULTE® XH1500 SERIES IV

**INTERMEDIATE SHAFT
MO340-866 Replacement Intermediate Shaft & Parts
540 RPM**

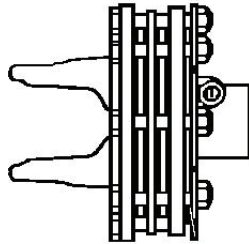


<u>Key</u>	<u>Part #</u>	<u>Description</u>
	MO340-866	COMPLETE INTERMEDIATE ASSEMBLY
1	5090L3860	Yoke 1 3/4 - 20 spline S8
2	40800076	Tapered Bolt S8
3	4120L0012	Cross Kit (2) S8
4	2040L3454	Splined Yoke (2) S8
5	249270170	Splined Shaft S8
6	345002000	Roll Pin S8
7	MO9998	FV42 Clutch 1 3/4 - 20 spline

SMS Power Train and Hardware
Call today to get a quote 800-467-3370
Or email us at Parts@smspowertrain.com

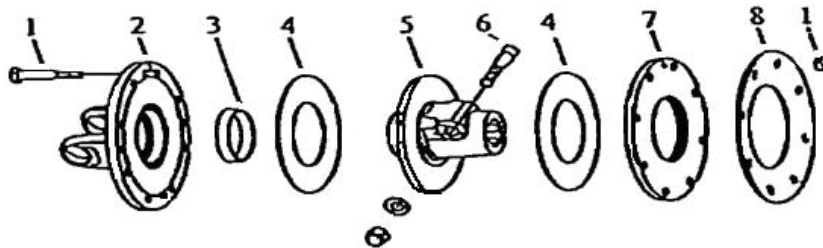
For SCHULTE® XH1500 SERIES IV

FV42 CLUTCH 341-80176 Slip Clutch Replacement Slip Clutch & Parts (Belleville Spring)



<u>Part #</u>	<u>Description</u>
341-80176	FV42 Complete Clutch S8 1 3/4" - 20 spline

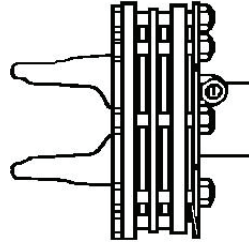
FV42 S8 Clutch Parts



<u>Key</u>	<u>Part #</u>	<u>Description</u>	<u>Qty. Used</u>
1	341-8011 432000008	Bolt w/lock nut	8
2	341-80123 253078702	Flange yoke	1
3	341-630 258005320	Bushing	1
4	341-6247 247006351 Lining 3 3/8" ID x 6 3/8" OD 2 5 341-6280 515873805 Hub 1 3/4" 20 spline 1		
6	341-802 408000076	Taper bolt	1
7	341-80173 248870007	Inner plate	1
8	341-80174 367009870	Belleville spring	1

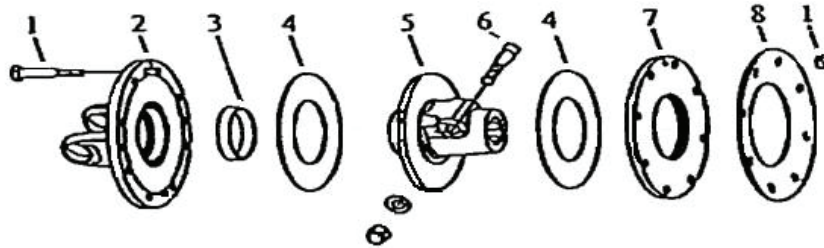
SMS Power Train and Hardware
Call today to get a quote 800-467-3370
Or email us at Parts@smspowertrain.com

**For SCHULTE® XH1500 SERIES IV
FV42 CLUTCH
MO9998 Replacement Slip Clutch & Parts
(Belleville Spring)**



<u>Part #</u>	<u>Description</u>
MO9998	FV42 Complete Clutch S8 1 3/4" - 20 spline

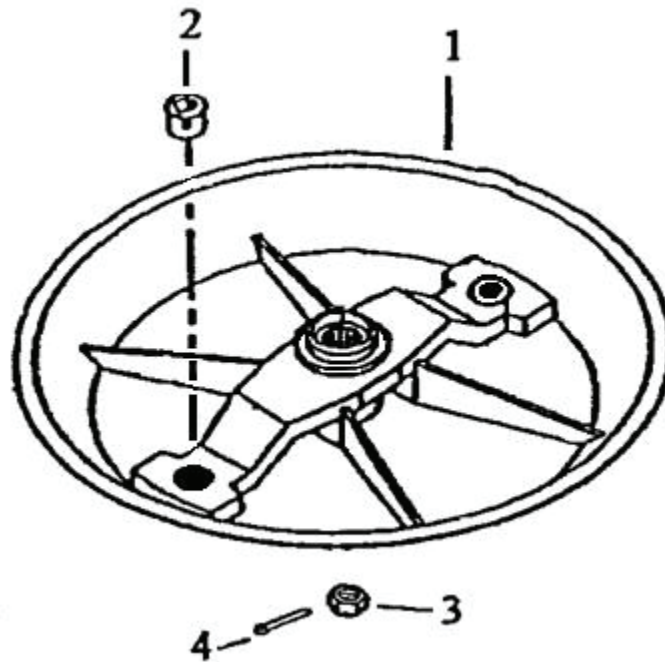
FV42 S8 Clutch Parts



<u>Key</u>	<u>Part #</u>	<u>Description</u>	<u>Qty. Used</u>
1	432000008	Bolt w lock nut	8
2	253078702	Flange yoke	1
3	258005320	Bushing	1
4	247006351	Lining 3 3/8 ID x 6 3/8" OD	2
5	515873805	Hub 1 3/4" - 20 spline	1
6	408000076	Taper bolt	1
7	248870007	Inner plate	1
8	367009870	Belleville spring	1

SMS Power Train and Hardware
Call today to get a quote 800-467-3370
Or email us at Parts@smspowertrain.com

**For SCHULTE® XH1500 SERIES IV
BLADE PAN
Replacement Blade Pans & Parts
(Pentagon Blade Bolts)**



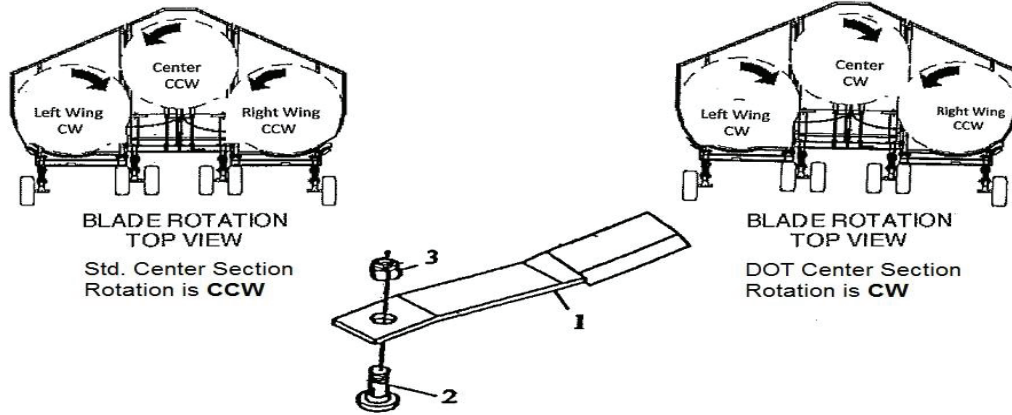
<u>Key</u>	<u>Part #</u>	<u>Description</u>
1	C000-185	Blade Carrier (Center)
	C000-180	Blade Carrier (Wing)
2	251-020	Bushing (Pentagon)
3	330001209	Nut (331-8060)
4	MO190250	Cotter Key

SMS Power Train and Hardware
Call today to get a quote 800-467-3370
Or email us at Parts@smspowertrain.com

For SCHULTE® XH1500 SERIES IV

BLADES

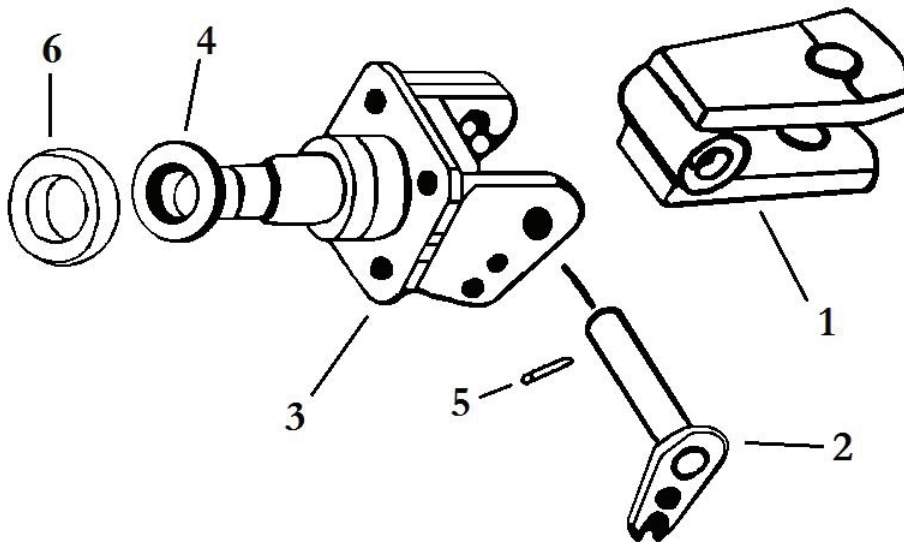
Replacement Rotary Cutter Blades & Parts



<u>Key</u>	<u>Part #</u>	<u>Description</u>	<u>Qty. Used</u>
1	MO401-046	Blade CW Left Wing DOT & Std.	(Updraft) 2
	MO401-047	Blade CCW Right Wing DOT & Std.	(Updraft) 2
	MO401-052	Blade CW Center DOT	(Updraft) 2
	MO401-048	Blade CCW Center Std.	(Updraft) 2
Optional Blades			
	MO401-026	Blade CW Left Wing DOT & Std.	(Suction) 2
	MO401-027	Blade CCW Right Wing DOT & Std.	(Suction) 2
	MO401-032	Blade CW Center DOT	(Suction) 2
	MO401-028	Blade CCW Center Std.	(Suction) 2
	MO401-526	Blade 5" CW Left Wing DOT & Std.	(Updraft) 2
	MO401-527	Blade 5" CCW Right Wing DOT & Std.	(Updraft) 2
	MO401-532	Blade 5" CW Center DOT	(Updraft) 2
2	MO251-018	Bolt (Pentagon)	6
3	MO257-003	Lock Nut	6

SMS Power Train and Hardware
 Call today to get a quote 800-467-3370
 Or email us at Parts@smspowertrain.com

For SCHULTE® XH1500 SERIES IV HITCH
Replacement Clevis Hitch & Parts

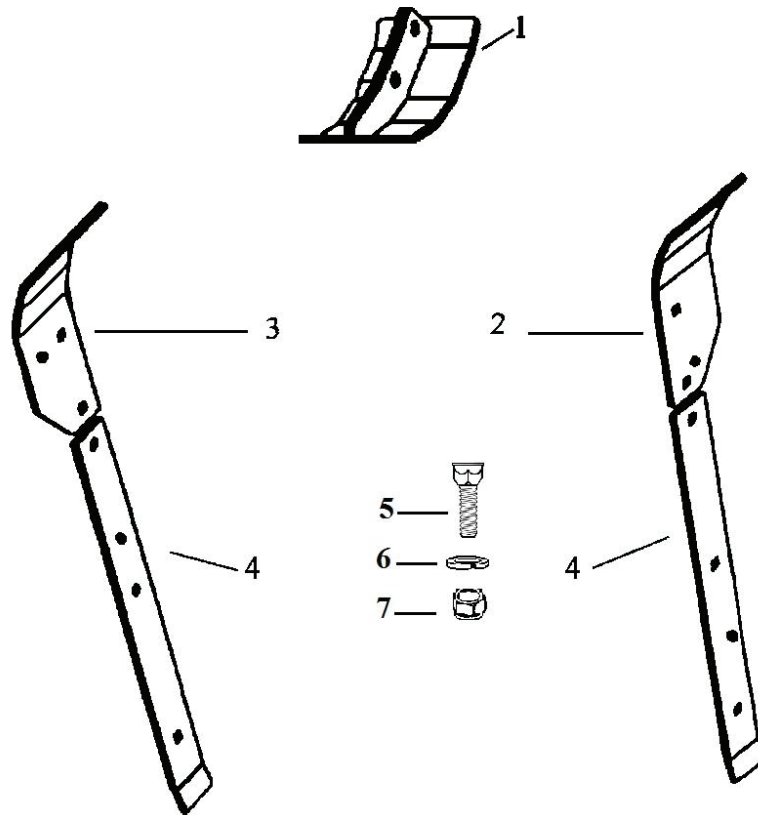


<u>Key</u>	<u>Part #</u>	<u>Description</u>
1	MOCS01-106	Hitch Clevis
2	MOCS01-134	Clevis Pin
3	MOCS01-109	Hitch Swivel
4	MO256-055	Machine Bushing
5	MO262-006	Roll Pin 3/8 x 2"
6	362-012	Bushing

SMS Power Train and Hardware
Call today to get a quote 800-467-3370
Or email us at Parts@smspowertrain.com

For SCHULTE® XH1500 SERIES IV

SKID SHOES Replacement Skid Shoes & Parts

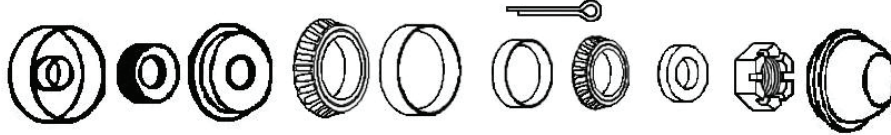


<u>Key</u>	<u>Part #</u>	<u>Description</u>	<u>Qty. Used</u>
1	MOC306-137	Skid Shoe, Center Section	2
2	MOC502-136	Skid Shoe, Front Right Wing	1
3	MOC502-137	Skid Shoe, Front Left Wing	1
4	MOC306-136	Skid Shoe, Rear Wing	2
5	MO50150PL	Bolt	22
6	MO50CZ	Lock Nut	22
7	MO5100	Washer	22

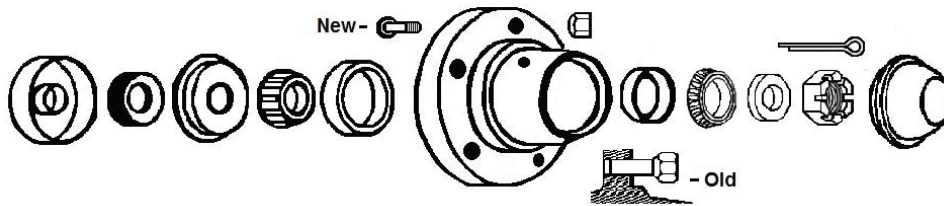
SMS Power Train and Hardware
 Call today to get a quote 800-467-3370
 Or email us at Parts@smspowertrain.com

WHEEL HUBS

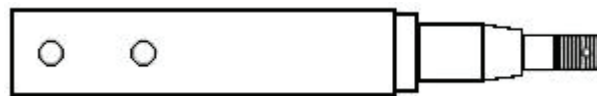
Replacement Wheel Bearings, Hubs, Spindles & Parts



<u>Part #</u>	<u>Description</u>
MO4925	Wheel Bearing Kit Consists of:
207-015C	Inside Bearing Cup & Cone
207-019C	Outside Bearing Cup & Cone
	Cotter Key 3/16 X 1 1/2"
MO207-065	Seal Kit (207-063; 207-062; 207-064)
207-022	Hub Cap
803-029C	Nut
804-055C	Washer



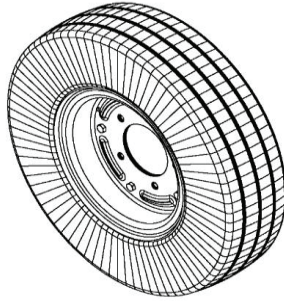
<u>Part #</u>	<u>Description</u>
MO206-013	Wheel Hub Complete with Bearings (5 Hole)
MO207-043	Stud Bolt w/Nut (New)
MO207-028	Wheel Bolt (Old)



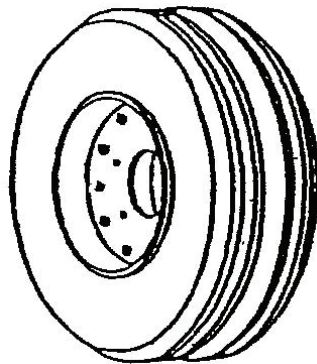
<u>Part #</u>	<u>Description</u>
MO208-034	Spindle Removable (Main Frame & Wing) (2011-2014) 10 1/8"
MO50325G8	Grade 8 Bolt
MO50CZ	Lock Nut

SMS Power Train and Hardware
 Call today to get a quote 800-467-3370
 Or email us at Parts@smspowertrain.com

**For SCHULTE® WHEELS
& TIRES
Replacement Wheels, Tires & Parts**



<u>Part #</u>	<u>Description</u>
MO510BH	Laminated Wheel 6" X 9" X 21" 5 bolt

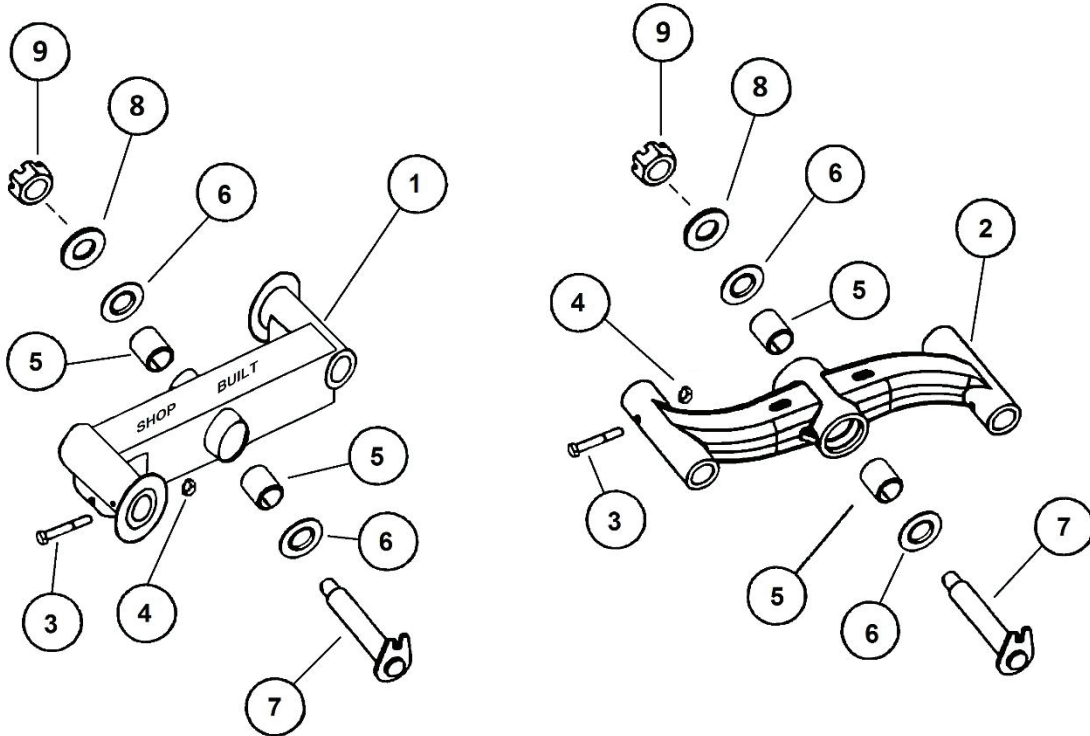


<u>Part #</u>	<u>Description</u>
MO210-520	Aircraft Tire Only (Recapped) 24 x 8 x 14
MO210-521	Aircraft Tire w/Rim (Mounted) 24 x 8 x 14
MO210-521F	Aircraft Tire w/Rim Foam Filled (Mounted) 24 x 8 x 14
MO211-017	Tube Only (JS Bent Metal Stem)

SMS Power Train and Hardware
Call today to get a quote 800-467-3370
Or email us at Parts@smspowertrain.com

WALKING AXLE ARM W/BUSHINGS

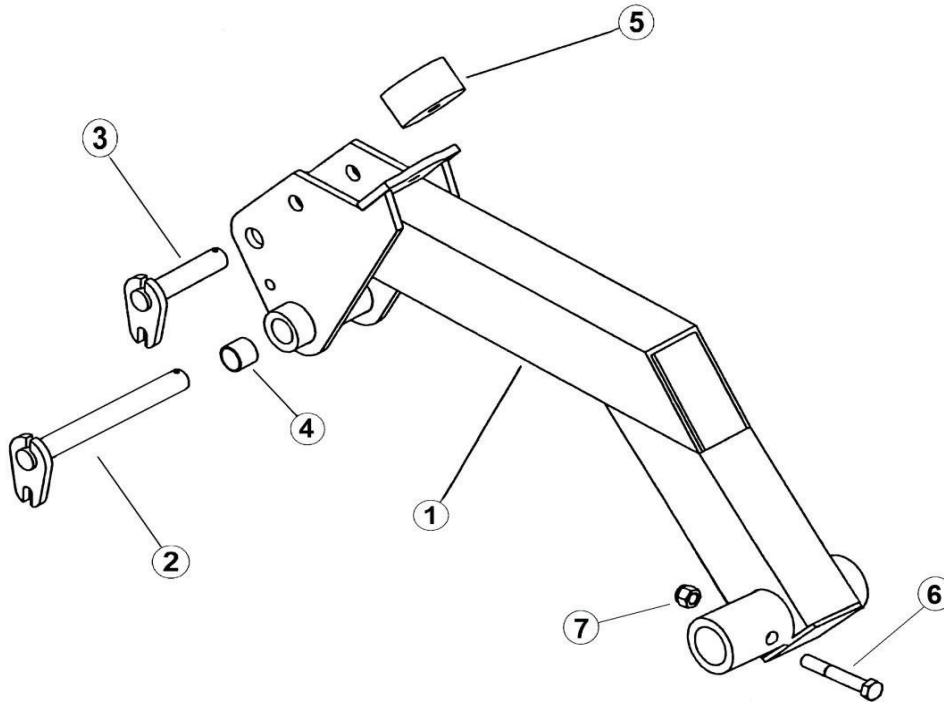
Replacement Walking Axle Arm & Parts



<u>Key</u>	<u>Part #</u>	<u>Description</u>
1	MOC306-200	Walking Axle Arm Shop Built w/Bushings
2	231-029A	Walking Axle Arm Cast w/Bushings
3	MO50325G8	Grade 8 Bolt
4	MO50CZ	Lock Nut
5	362-025	Tension Bushing (2)
6	256-0561	Bushing
7	MOC306-241	Pivot Pin, Harden
8	MO256-068	Machine Bushing
9	MO209-011	Castle Nut

SMS Power Train and Hardware
 Call today to get a quote 800-467-3370
 Or email us at Parts@smspowertrain.com

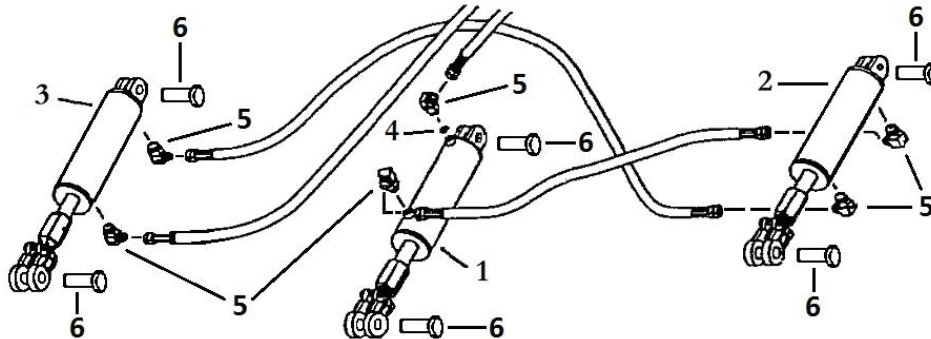
**For SCHULTE® XH15000 IV
WHEEL STANDARD
Replacement Wing Wheel Standard & Parts**



<u>Key</u>	<u>Part #</u>	<u>Description</u>
1	C306-126	Wing Wheel Standard, Right Side
	C306-125	Wing Wheel Standard, Left Side (Shown)
2	C306-147	Pivot Pin
3	C306-148	Retaining Pin
4	MO362-010	Tension Bushing
5	233-053	Rubber Puck
6	MO50325G8	Grade 8 Bolt
7	MO50CZ	Lock Nut

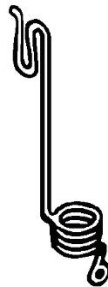
SMS Power Train and Hardware
Call today to get a quote 800-467-3370
Or email us at Parts@smspowertrain.com

**For SCHULTE® XH1500 SERIES IV
CYLINDERS / HOSE ORGANIZERS
Replacement Phasing Cylinder & Parts**



<u>Key</u>	<u>Part #</u>	<u>Description</u>
1	MO100-3675	Main Frame Cylinder
2	MO100-3682	Right Wing Cylinder
3	MO100-3692	Left Wing Cylinder
4	MOC000-006	Resistor
5	MO108-069	Elbow 90* (6)
6	MO302-015	Cylinder Pin (6)
	MO3675K	Seal Kit for MO100-3675 Cylinder
	MO3682K	Seal Kit for MO100-3682 Cylinder
	MO3692K	Seal Kit for MO100-3692 Cylinder

Hose Organizers



<u>Part #</u>	<u>Description</u>
MO228-012	Center Hose Organizer 20"
228-013	Front Center Hose Organizer 33"

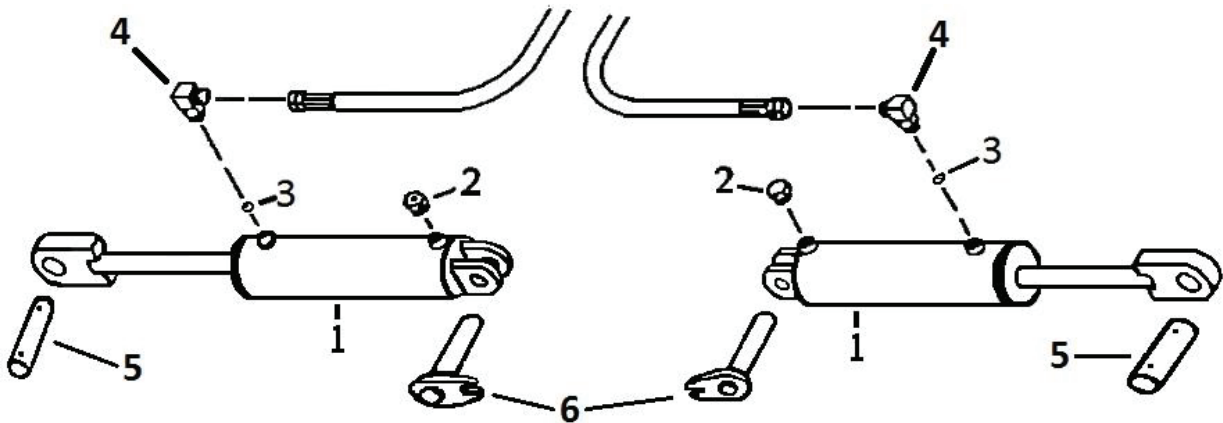
SMS Power Train and Hardware
Call today to get a quote 800-467-3370
Or email us at Parts@smspowertrain.com

XH1500 SERIES IV GEAR CASES

Replacement Gear Cases
540 RPM & 1000 RPM

For SCHULTE® XH1500 SERIES IV CYLINDERS

Replacement Wing Lift Cylinder & Parts

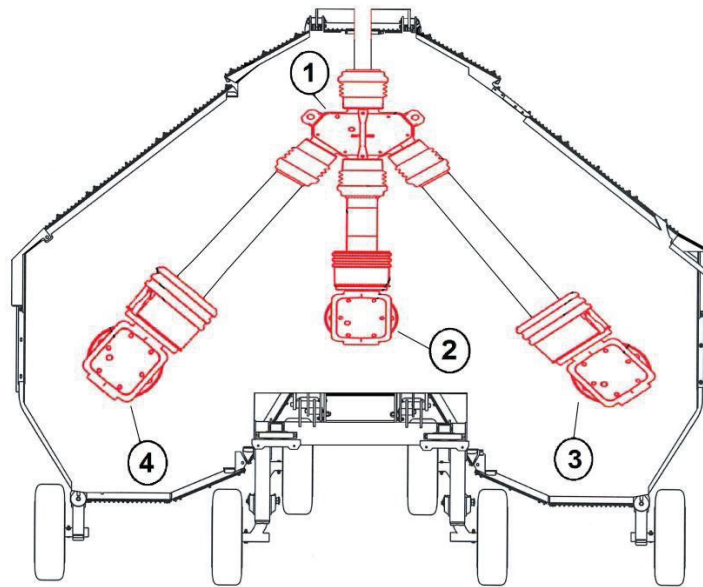


<u>Key</u>	<u>Part #</u>	<u>Description</u>
1	MO100-3740	Wing Lift Cylinder
2	MO108-056	Breather
3	MOC000-006	Resistor
4	MO108-069	Elbow 90* (2)
5	MO302-015	Cylinder Pin (2)
6	C306-142	Locking Cylinder Pin (2)
	MO3740K	Seal Kit for MO100-3740 Cylinder

SMS Power Train and Hardware
Call today to get a quote 800-467-3370
Or email us at Parts@smspowertrain.com

XH1500 SERIES IV GEAR CASES

Replacement Gear Cases 540 RPM & 1000 RPM



540 RPM Description

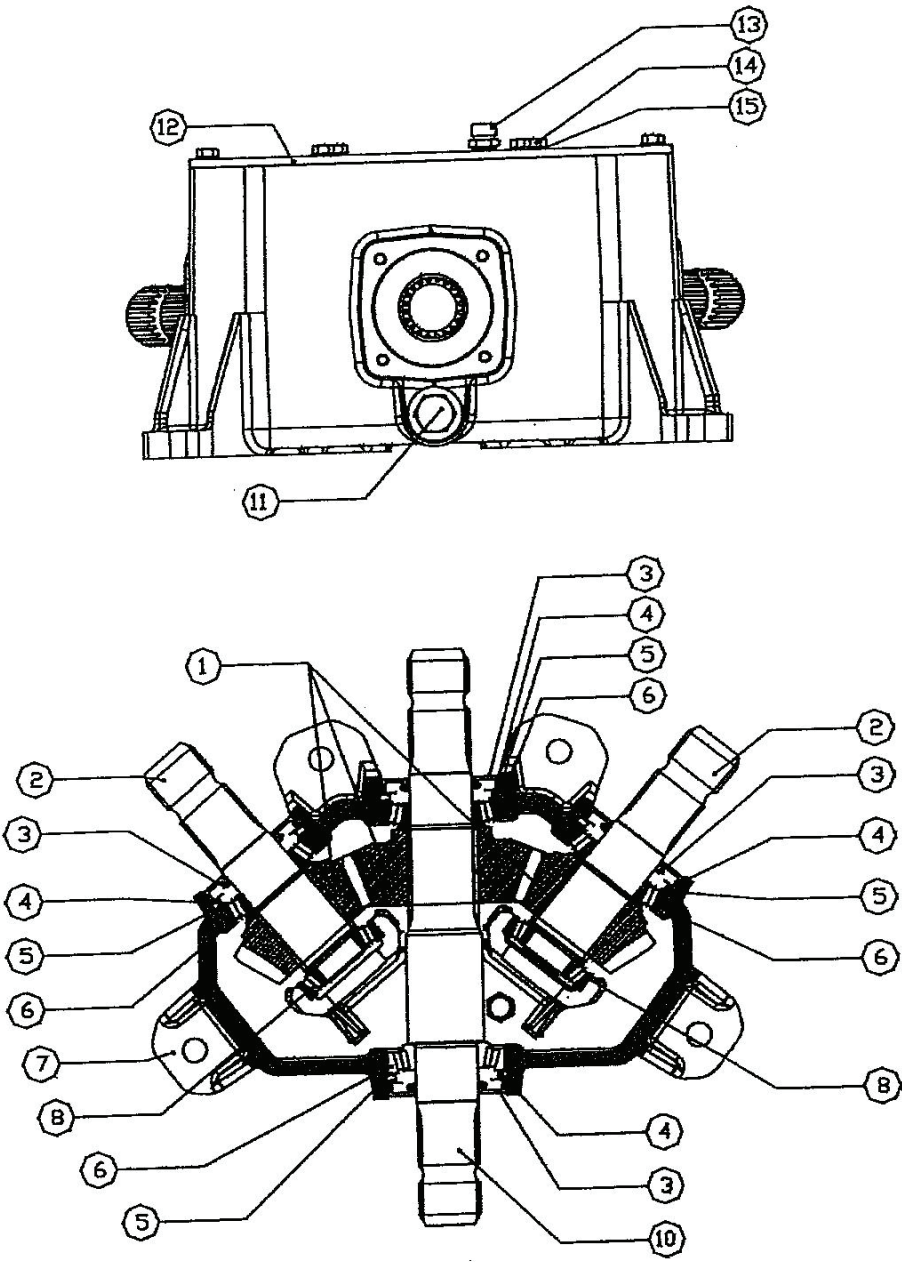
<u>Key</u>	<u>Part #</u>	<u>Description</u>
1	330-934	Divider Gear Case (540 RPM)
2	330-963	Center Gear Case CW DOT (540 RPM)
	330-962	Center Gear Case CCW (540 RPM)
3	330-961	Right Wing Gear Case CCW (540 RPM)
4	330-960	Left Wing Gear Case CW (540 RPM)

1000 RPM Description

<u>Key</u>	<u>Part #</u>	<u>Description</u>
1	330-935	Divider Gear Case (1000 RPM)
2	330-965	Center Gear Case CW DOT (1000 RPM)
	330-964	Center Gear Case CCW (1000 RPM)
3	330-961	Right Wing Gear Case CCW (1000 RPM)
4	330-960	Left Wing Gear Case CW (1000 RPM)

SMS Power Train and Hardware
Call today to get a quote 800-467-3370
Or email us at Parts@smspowertrain.com

**For SCHULTE® XH1500 SERIES IV
GEAR CASE**
Replacement Divider Gear Case & Parts
330-934 & 330-935 Gear Case
540 RPM & 1000 RPM



SMS Power Train and Hardware
 Call today to get a quote 800-467-3370
 Or email us at Parts@smspowertrain.com

For SCHULTE® XH1500 SERIES IV GEAR CASE
Center Gear Case & Parts
330-963 (DOT) CW
540 RPM

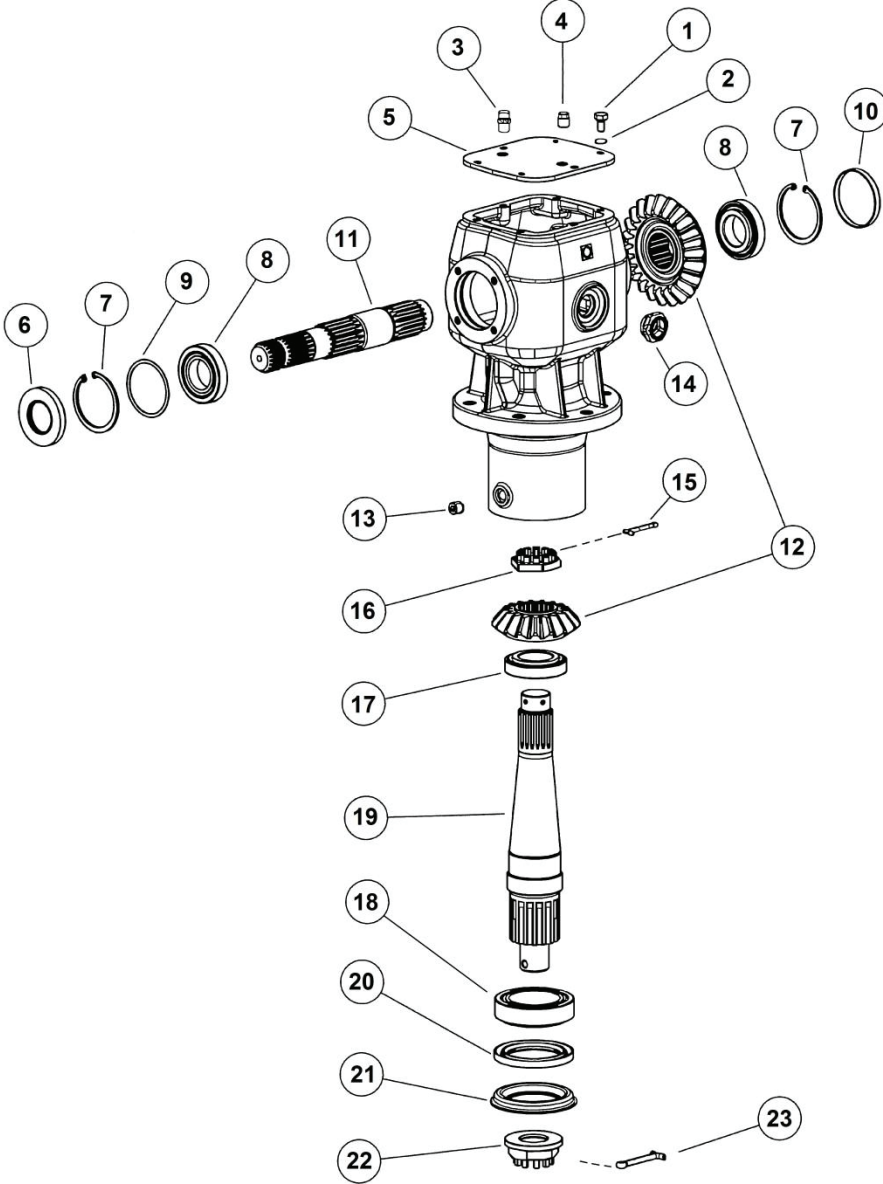
Replacement Divider Gear Case & Parts
330-934 & 330-935 Gear Case
540 RPM & 1000 RPM

330-934 COMPLETE CASE 540 RPM
330-935 COMPLETE CASE 1000 RPM

<u>Key</u>	<u>Schulte #</u>	<u>Description</u>	<u>Qty. Used</u>
1	331-980	Gear Set 540 RPM	1
	331-985	Gear Set 1000 RPM	1
2	331-981	Pinion Shaft 1 3/4 z 20	2
3	331-9019	MO70190 Seal	4
4	331-552	339001085 Snap Ring	4
5	331-982	340I08500 Shim	1
6	331-564	MO331-564 Bearing	4
7	331-983	Housing	1
8	331-713	MO331-713 Bearing	2
10	331-984	Input Shaft	1
11	331-986	Magnetic Plug	1
12	331-987	Cover	1
13	331-988	373052000 Breather Dipstick	1
14	331-989	Bolt 10mm x 22mm	6
15	331-990	Washer	6

SMS Power Train and Hardware
Call today to get a quote 800-467-3370
Or email us at Parts@smspowertrain.com

**For SCHULTE® XH1500 SERIES IV
GEAR CASE**



SMS Power Train and Hardware
Call today to get a quote 800-467-3370
Or email us at Parts@smspowertrain.com

**For SCHULTE® XH1500 SERIES IV
GEAR CASE**

Replacement

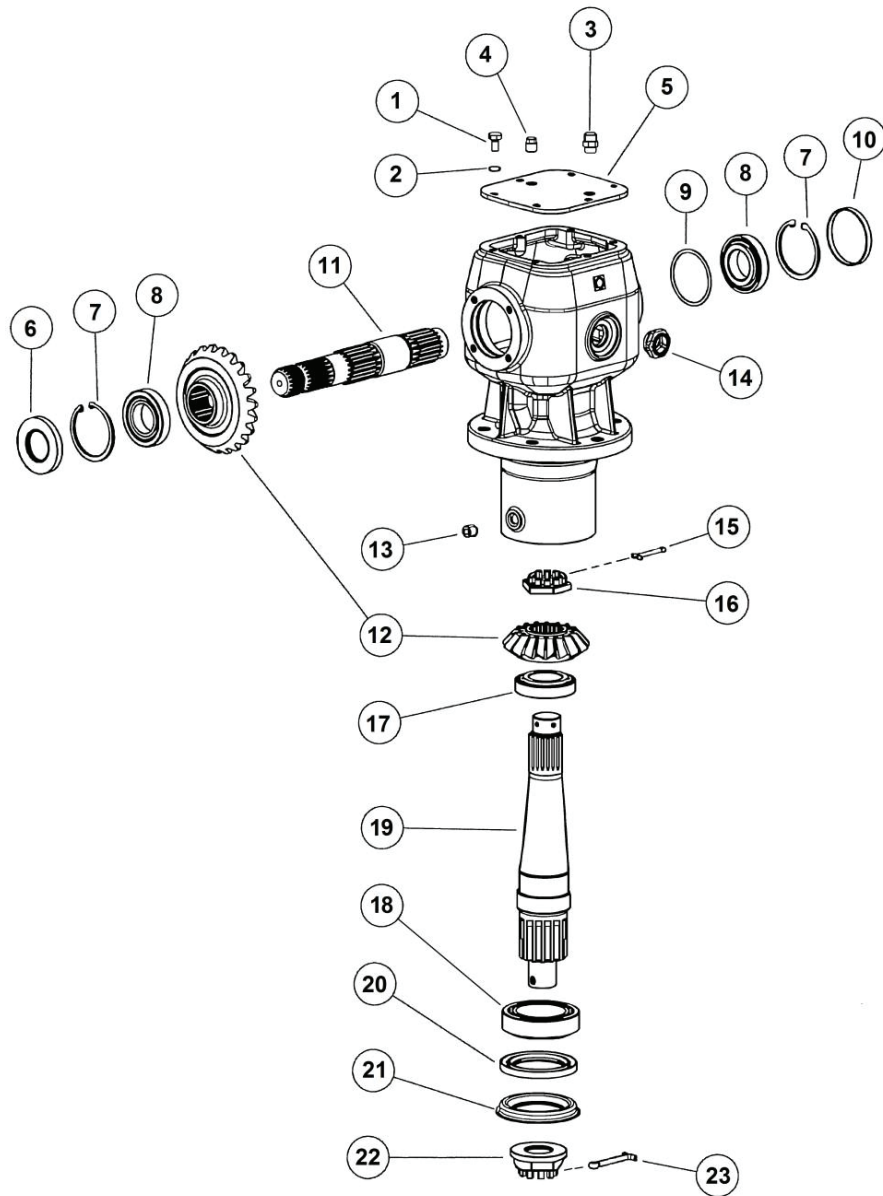
**Center Gear Case & Parts
330-963 (DOT) CW
540 RPM**

Gear Rear

<u>Key</u>	<u>Schulte #</u>		<u>Description</u>
1	331-8054		Bolt (6)
2	331-8034	MO3800	Washer (6)
3	331-578		Breather
4	331-819		Oil Drain
5	331-8042		Cover
6	331-9019	MO70190	Seal
7	331-552	339001085	Snap Ring (2)
8	331-564	MO331-564	Tapered Bearing (2)
9	331-588	340I08500	Shim Kit
10	331-559	372006000	Seal Cap
11	331-8035	295384040	Input Shaft
12	331-8038	448157700	Gear Set 1:1.57
13	331-8040		Magnetic Plug
14	331-8063		Plug
15	331-878		Split Pin
16	331-8043	298204200	Castle Nut
17	331-7012	MO331-7012	Tapered Bearing
18	331-8061		Bearing
19	331-8058		Output Shaft
20	331-8062		Seal
21	331-8059		Sealing Lid
22	331-8060		Castle Nut
23	MO190250		Cotter Pin

SMS Power Train and Hardware
Call today to get a quote 800-467-3370
Or email us at Parts@smspowertrain.com

**For SCHULTE XH1500 SERIES IV
GEAR CASE
Replacement Center Gear Case & Parts
330-962 CCW
540 RPM**



SMS Power Train and Hardware
Call today to get a quote 800-467-3370
Or email us at Parts@smspowertrain.com

For SCHULTE® XH1500 SERIES IV

GEAR CASE

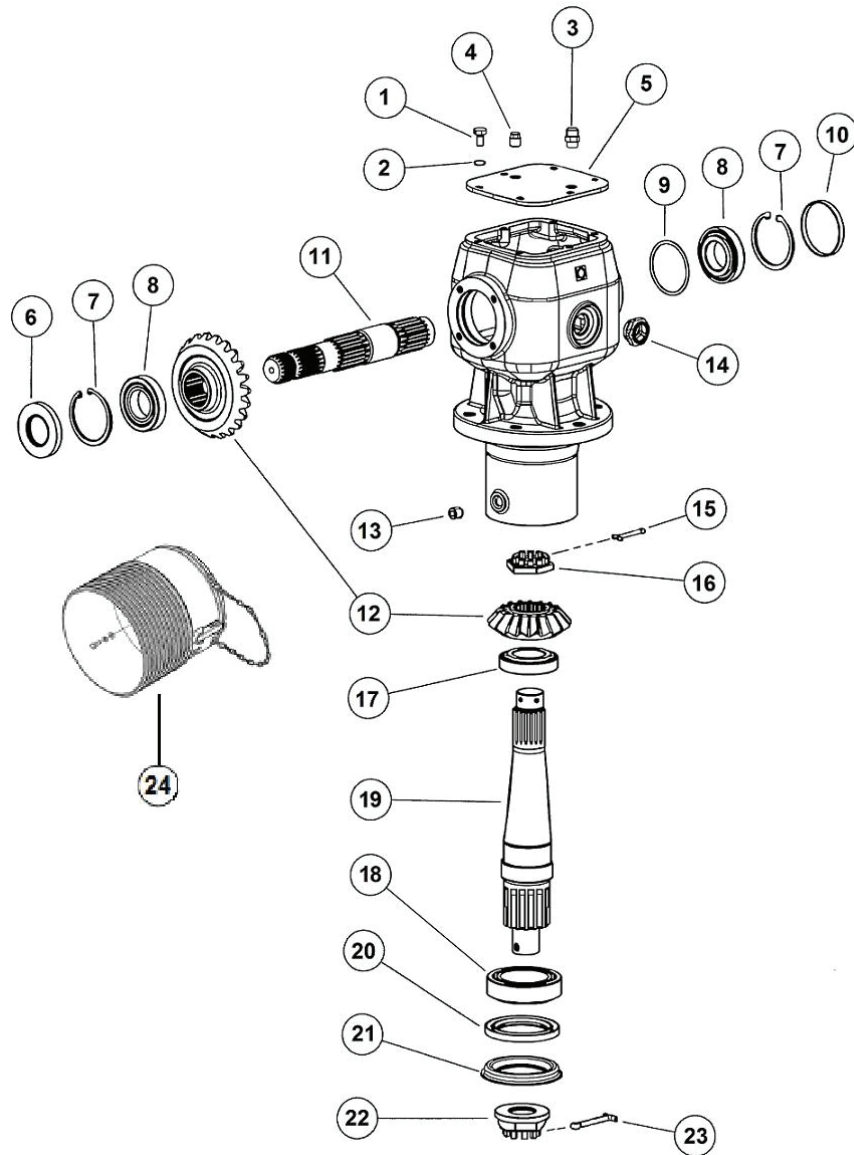
Replacement Center Gear Case & Parts 330-962 CCW 540 RPM

Gear Front

<u>Key</u>	<u>Schulte #</u>		<u>Description</u>
1	331-8054		Bolt (6)
2	331-8034	MO3800	Washer (6)
3	331-578		Breather
4	331-819		Oil Drain
5	331-8042		Cover
6	331-9019	MO70190	Seal
7	331-552	339001085	Snap Ring (2)
8	331-564	MO331-564	Tapered Bearing (2)
9	331-588	340I08500	Shim Kit
10	331-559	372006000	Seal Cap
11	331-8035	295384040	Input Shaft
12	331-8038	448157700	Gear Set 1:1.57
13	331-8040		Magnetic Plug
14	331-8063		Plug
15	331-878		Split Pin
16	331-8043	298204200	Castle Nut
17	331-7012	MO331-7012	Tapered Bearing
18	331-8061		Bearing
19	331-8058		Output Shaft
20	331-8062		Seal
21	331-8059		Sealing Lid
22	331-8060		Castle Nut
23	MO190250	Cotter Pin	

SMS Power Train and Hardware
Call today to get a quote 800-467-3370
Or email us at Parts@smspowertrain.com

Replacement Left Wing Gear Case & Parts
330-960 CW
540 RPM & 1000 RPM



Replacement Left Wing Gear Case & Parts

SMS Power Train and Hardware
Call today to get a quote 800-467-3370
Or email us at Parts@smspowertrain.com

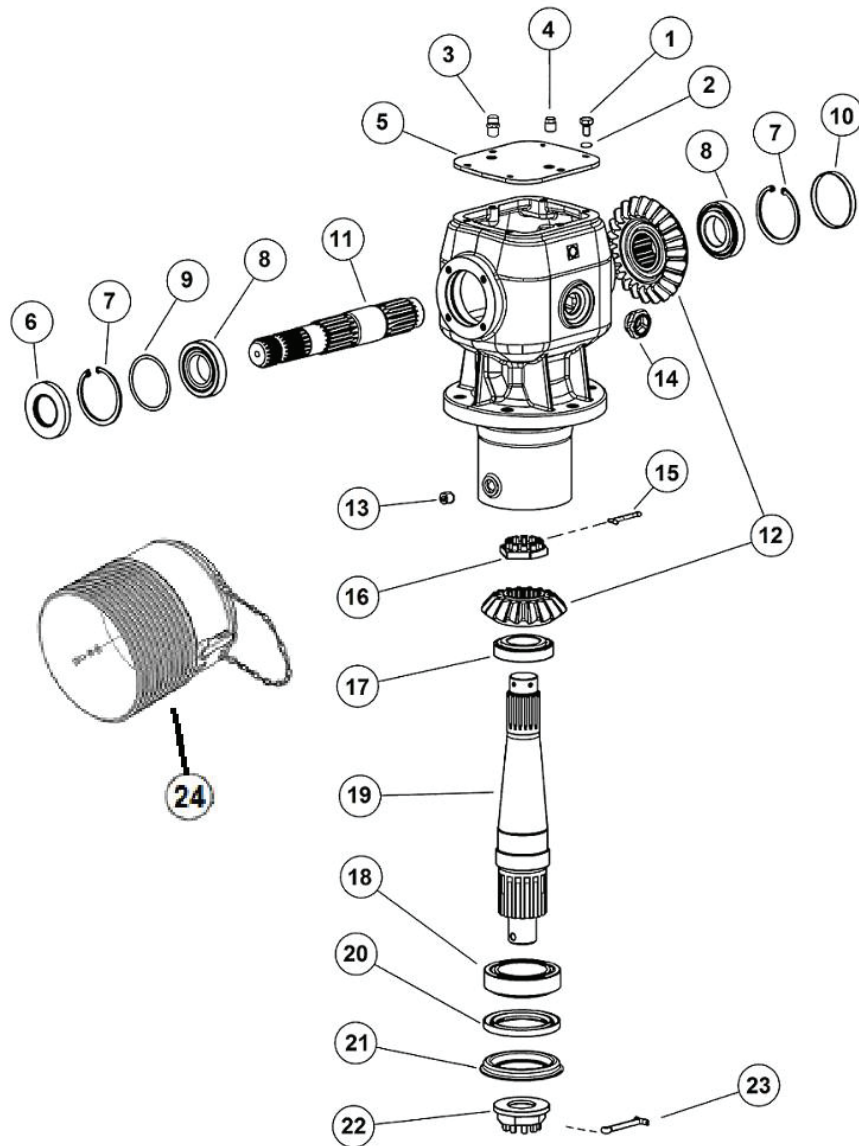
**For SCHULTE® XH1500 SERIES IV
GEAR CASE
330-960 CW
540 RPM & 1000 RPM**

Gear Front

<u>Key</u>	<u>Schulte #</u>		<u>Description</u>
1	331-8054		Bolt (6)
2	331-8034	MO3800	Washer (6)
3	331-578		Breather
4	331-819		Oil Drain
5	331-8042		Cover
6	331-9019	MO70190	Seal
7	331-552	339001085	Snap Ring (2)
8	331-564	MO331-564	Tapered Bearing (2)
9	331-588	340I08500	Shim Kit
10	331-559	372006000	Seal Cap
11	331-8035	295384040	Input Shaft
12	331-8036	44135704	Gear Set 1:1.35
13	331-8040		Magnetic Plug
14	331-8063		Plug
15	331-878		Split Pin
16	331-8043	298204200	Castle Nut
17	331-7012	MO331-7012	Tapered Bearing
18	331-8061		Bearing
19	331-8058		Output Shaft
20	331-8062		Seal
21	331-8059		Sealing Lid
22	331-8060		Castle Nut
23	MO190250	Cotter Pin	
24	341-6240	395002125CE	SFT Shield Cone

SMS Power Train and Hardware
Call today to get a quote 800-467-3370
Or email us at Parts@smspowertrain.com

Replacement Right Wing Gear Case & Parts
330-961 CCW
540 or 1000 RPM



SMS Power Train and Hardware
Call today to get a quote 800-467-3370
Or email us at Parts@smspowertrain.com

**For SCHULTE® XH1500 SERIES IV
GEAR CASE**

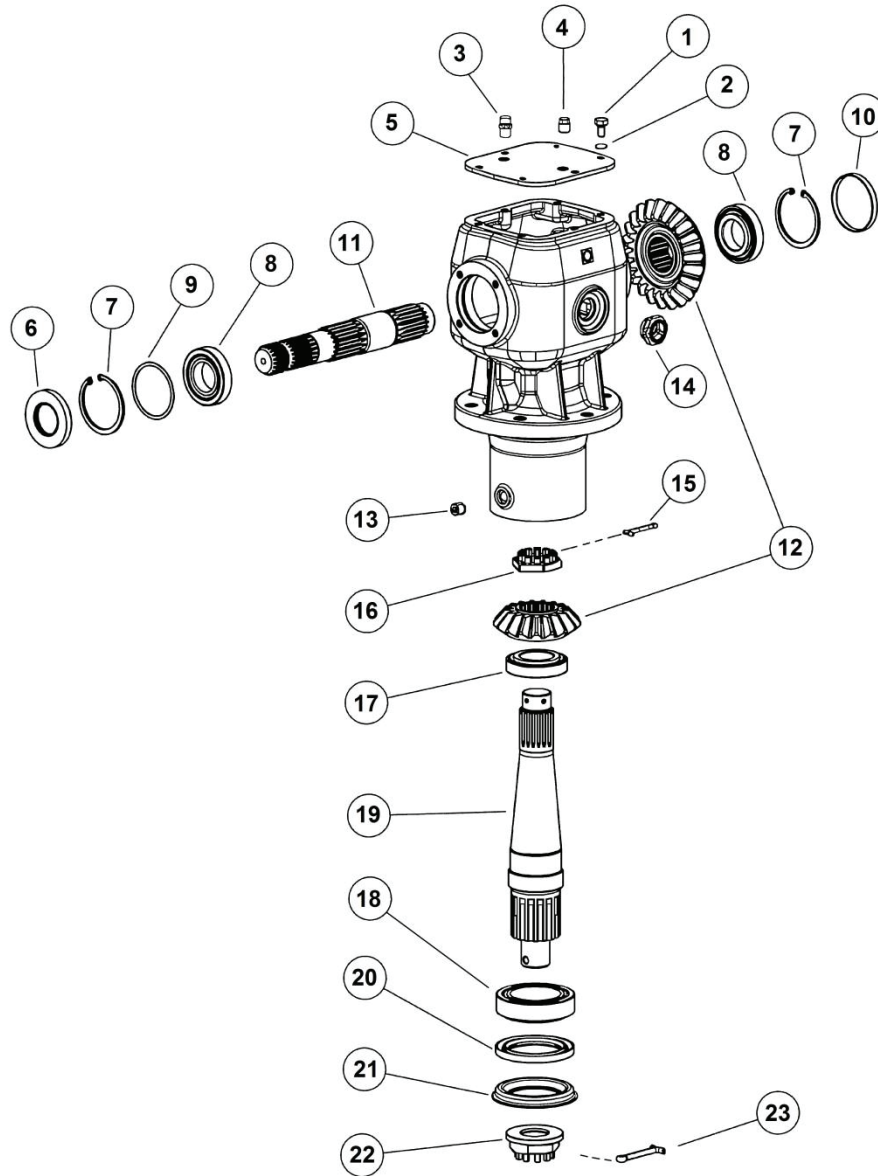
**Replacement Right Wing Gear Case & Parts
330-961 CCW
540 or 1000 RPM**

Gear Rear

<u>Key</u>	<u>Schulte #</u>		<u>Description</u>
1	331-8054		Bolt (6)
2	331-8034	MO3800	Washer (6)
3	331-578		Breather
4	331-819		Oil Drain
5	331-8042		Cover
6	331-9019	MO70190	Seal
7	331-552	339001085	Snap Ring (2)
8	331-564	MO331-564	Tapered Bearing (2)
9	331-588	340I08500	Shim Kit
10	331-559	372006000	Seal Cap
11	331-8035	295384040	Input Shaft
12	331-8036	44135704	Gear Set 1:1.35
13	331-8040		Magnetic Plug
14	331-8063		Plug
15	331-878		Split Pin
16	331-8043	298204200	Castle Nut
17	331-7012	MO331-7012	Tapered Bearing
18	331-8061		Bearing
19	331-8058		Output Shaft
20	331-8062		Seal
21	331-8059		Sealing Lid
22	331-8060		Castle Nut
23	MO190250	Cotter Pin	
24	341-6240	395002125CE	SFT Shield Cone

SMS Power Train and Hardware
Call today to get a quote 800-467-3370
Or email us at Parts@smspowertrain.com

XH1500 SERIES IV GEAR CASE
Replacement Center Gear Case & Parts
330-965 CCW DOT
1000 RPM



Replacement Center Gear Case & Parts
330-965 CCW DOT
1000 RPM

SMS Power Train and Hardware
Call today to get a quote 800-467-3370
Or email us at Parts@smspowertrain.com

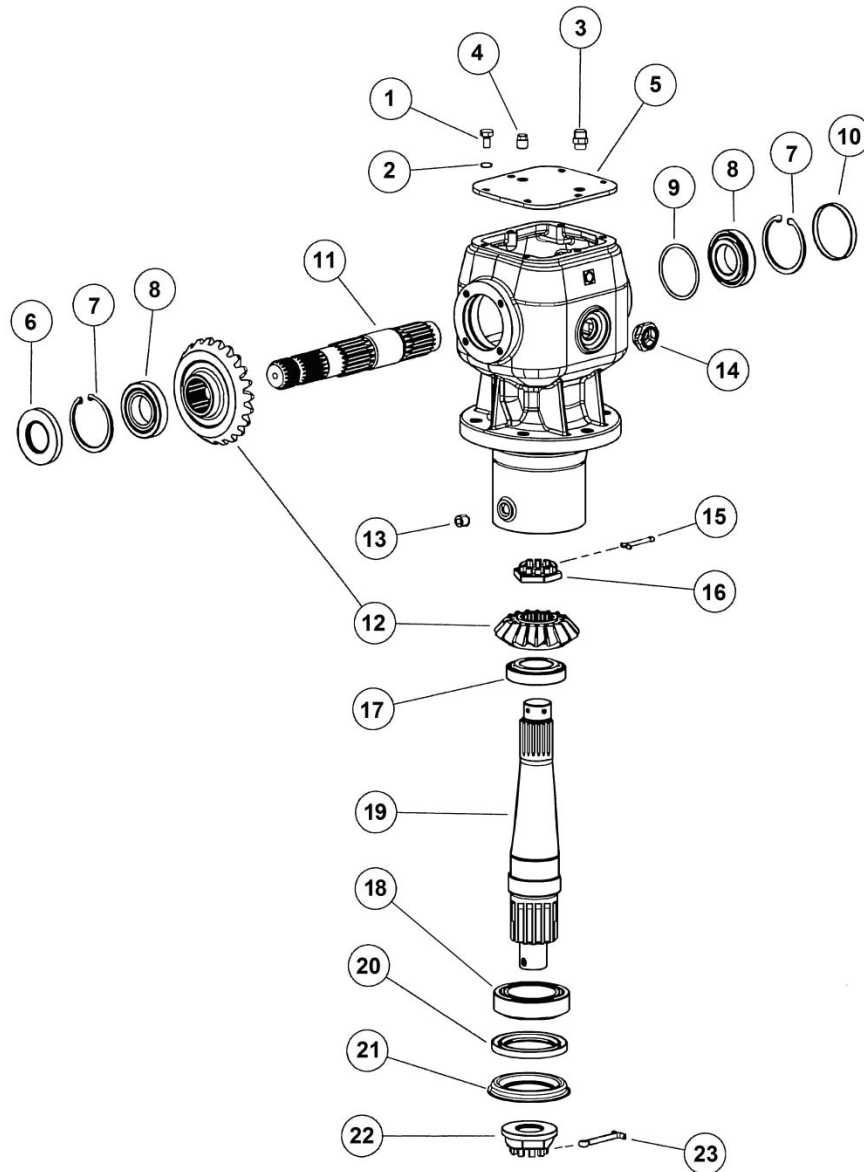
**For SCHULTE® XH1500 SERIES IV
GEAR CASE
Replacement Center Gear Case & Parts**

Gear Rear

<u>Key</u>	<u>Schulte #</u>		<u>Description</u>
1	331-8054		Bolt (6)
2	331-8034	MO3800	Washer (6)
3	331-578		Breather
4	331-819		Oil Drain
5	331-8042		Cover
6	331-9019	MO70190	Seal
7	331-552	339001085	Snap Ring (2)
8	331-564	MO331-564	Tapered Bearing (2)
9	331-588	340I08500	Shim Kit
10	331-559	372006000	Seal Cap
11	331-8035	295384040	Input Shaft
12	331-8037	448085701	Gear Set 1.18:1
13	331-8040		Magnetic Plug
14	331-8063		Plug
15	331-878		Split Pin
16	331-8043	298204200	Castle Nut
17	331-7012	MO331-7012	Tapered Bearing
18	331-8061		Bearing
19	331-8058		Output Shaft
20	331-8062		Seal
21	331-8059		Sealing Lid
22	331-8060		Castle Nut
23	MO190250	Cotter Pin	

SMS Power Train and Hardware
Call today to get a quote 800-467-3370
Or email us at Parts@smspowertrain.com

**For SCHULTE
XH1500 SERIES IV GEAR CASE
Replacement Center Gear Case & Parts
330-964 CCW
1000 RPM**



SMS Power Train and Hardware
Call today to get a quote 800-467-3370
Or email us at Parts@smspowertrain.com

**For SCHULTE® XH1500 SERIES IV
GEAR CASE
Replacement Center Gear Case & Parts**

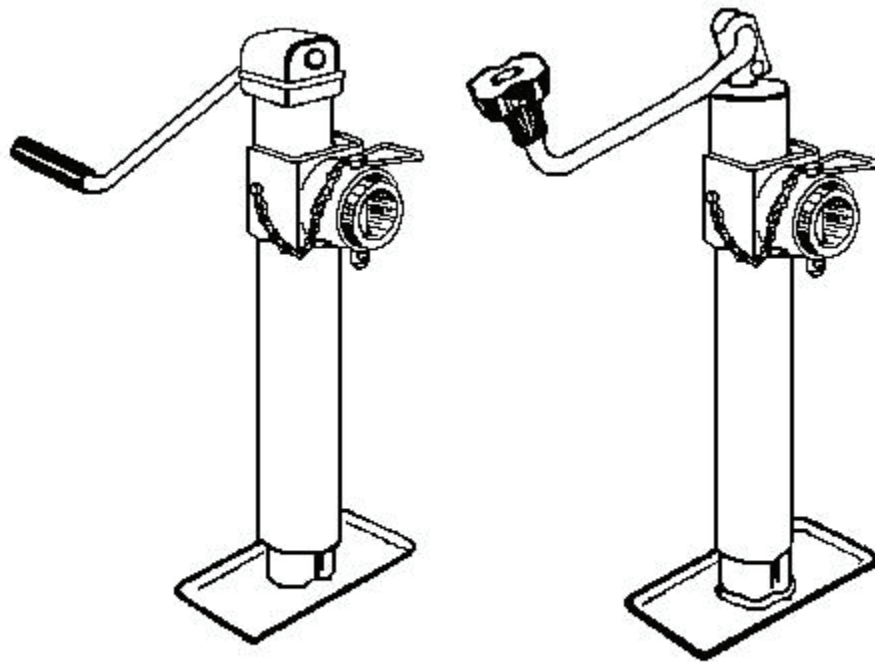
**XH1500 SERIES IV GEAR CASE
Replacement Center Gear Case & Parts
330-964 CCW
1000 RPM**

Gear Front

<u>Key</u>	<u>Schulte #</u>	<u>Description</u>
1	331-8054	Bolt (6)
2	331-8034	MO3800 Washer (6)
3	331-578	Breather
4	331-819	Oil Drain
5	331-8042	Cover
6	331-9019	MO70190 Seal
7	331-552	339001085 Snap Ring (2)
8	331-564	MO331-564 Tapered Bearing (2)
9	331-588	340I08500 Shim Kit
10	331-559	372006000 Seal Cap
11	331-8035	295384040 Input Shaft
12	331-8037	448085701 Gear Set 1.18:1
13	331-8040	Magnetic Plug
14	331-8063	Plug
15	331-878	Split Pin
16	331-8043	298204200 Castle Nut
17	331-7012	MO331-7012 Tapered Bearing
18	331-8061	Bearing
19	331-8058	Output Shaft
20	331-8062	Seal
21	331-8059	Sealing Lid
22	331-8060	Castle Nut
23	MO190250	Cotter Pin

SMS Power Train and Hardware
Call today to get a quote 800-467-3370
Or email us at Parts@smspowertrain.com

**For SCHULTE XH1500 SERIES IV
JACKS
Replacement Heavy Duty Jacks**



Sidewind

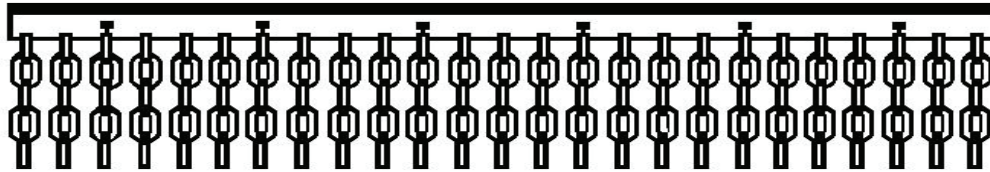
Topwind

SMS Power Train and Hardware
Call today to get a quote 800-467-3370
Or email us at Parts@smspowertrain.com

**For SCHULTE® XH1500 SERIES IV
GEAR CASE
Replacement Center Gear Case & Parts**

<u>Part #</u>	<u>Description</u>
MO300HD	Heavy Duty Jack (Top Crank)
MO5000HDS	Heavy Duty Jack (Side Crank)

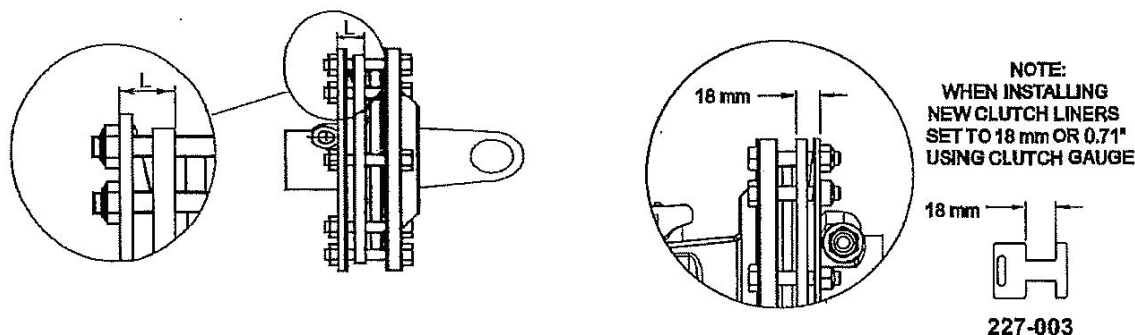
**XH1500 SERIES IV CHAIN GUARDS
Replacement Chain Guards**



<u>Key</u>	<u>Part #</u>	<u>Description</u>
1	MOC306-502A	Front Main Center Complete
2	MOC306-501A	Front Main Inner & Outer Complete
3 & 8	MOC306-507A	Front Wing Inside & Center RH & LH Complete
4	MOC306-506A	Front Wing Outside RH & LH Complete
5	MOC306-503A	Rear Main Center Complete
6	MOC306-504A	Rear Main Outer RH & LH Complete
7	MOC306-505A	Rear Wing Inner RH & LH Complete

SMS Power Train and Hardware
Call today to get a quote 800-467-3370
Or email us at Parts@smspowertrain.com

Clutch Settings



Bondioli Clutch Settings

FV42 Clutch (Wing Shafts) 1200 nm

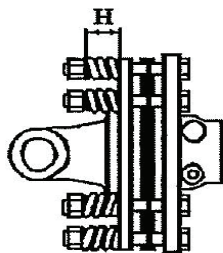
*The spring height L needs measured near each bolt
(18.5 mm or .71" with a tolerance + or - .4 mm)*

FV32 Clutch (Intermediate Shaft 1000 RPM) 900 nm

*The spring height L needs measured near each bolt
(18.0 mm or .71" with a tolerance + or - .4 mm)*

FT42 Clutch (Wing Shafts) 1200 nm

The band needs to touch then back off 1 mm to let moisture out.



Bondioli	FF2 Clutch (coil spring clutch)	2 disks
	H = 27.5 mm or 1 3/32"	
Bondioli	FF3 Clutch (coil spring clutch)	4 disks
	H = 28.5 mm or 1 1/8"	
Comer	F2 Clutch (coil spring clutch)	2 disks
	H = 33.3 mm 1 11/32"	
Comer	F4 Clutch (coil spring clutch)	4 disks
	H = 34.1 mm 1 5/16"	

SMS Power Train and Hardware
Call today to get a quote 800-467-3370
Or email us at Parts@smspowertrain.com

Clutch Lining Sizes

Lining Size

Inside	Outside	Moore #	
3 13/16" 97 mm	6 5/16" 160 mm	247000061	Bondioli
3 13/16" 97 mm	6 5/16" 160 mm	MO31971	Eurocardan
3 3/8" 85 mm	6 3/8" 162 mm	247006351	Bondioli
3 3/8" 85 mm	5 1/2" 140 mm	247000054	Bondioli
3 5/8" 91 mm	5 15/16" 152 mm	MO1711	Comer/Walterscheid
3" 77 mm	5 9/16" 142 mm	247006251	Bondioli
3 7/8" 100 mm	7" 178 mm	MO581060003	Walterscheid
4" 102 mm	6 1/4" 158 mm	19459	Woods

Manufactures Cross Reference

Manufacture	Part #	Moore #	
Alamo	00754202	MO1711	<i>Comer</i>
Alamo	8366	MO1711	<i>Walterscheid</i>
Schulte	341-631	247000061	<i>Bondioli</i>
Schulte	341-6247	247006351	<i>Bondioli</i>
Schulte	341-6228	247006251	<i>Bondioli</i>

SMS Power Train and Hardware
 Call today to get a quote 800-467-3370
 Or email us at Parts@smspowertrain.com

Schulte	341-722	247000054	<i>Bondioli</i>
Schulte	341-3501	247000061	<i>Bondioli</i>
Schulte	341-6513	MO1711	<i>Eurogiunti</i>
Schulte	341-6547	247006251	<i>Eurogiunti</i>
Bush Whacker	1711	MO1711	<i>Comer</i>
Bush Whacker	3963	247006251	<i>Bondioli</i>
Bush Hog	91560	247000061	<i>Bondioli</i>
Bush Hog	91561	247000054	<i>Bondioli</i>
Bush Hog	76083	MO1711	<i>Comer</i>
Land Pride	1808010	MO31971	<i>Eurogiunti</i>
Land Pride	168556	MO1711	<i>Walterscheid</i>
Rhino	00754202	MO1711	<i>Comer</i>
Rhino	0581060003	MO581060003	<i>Walterscheid</i>
John Deere	W44285	247006251	<i>Bondioli</i>
John Deere	W34913	MO1711	<i>Walterscheid</i>
Woods	19459	19459	

SMS Power Train and Hardware
Call today to get a quote 800-467-3370
Or email us at Parts@smspowertrain.com

SMS

**POWER TRAIN
& HARDWARE**

800-467-3370